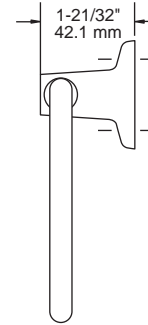
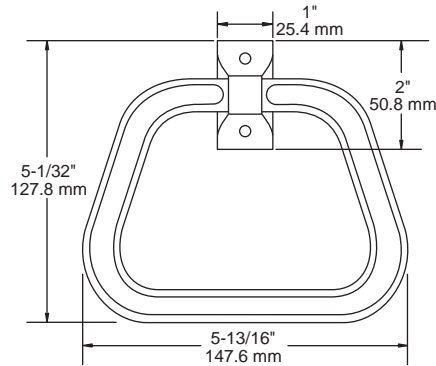


*Centura*<sup>™</sup>

TOWEL RING



**MATERIALS:** Post - Zinc Alloy (Die Cast)  
Ring - Polystyrene

**INSTALLATION:** Assemble product and mark all hole locations per instructions.  
Mount with supplied fasteners.

**OPTIONAL FASTENER INFORMATION:**  
Wood blocking is preferable behind all wall surfaces. If wood blocking is not available, the following fasteners are suggested: Tile/Masonry - Plastic or Lead Anchors, Plaster/Drywall - Toggle Bolts.

**SPECIFICATION:** Surface mounted towel ring shall be model \_\_\_\_\_  
(fill in model number) by Liberty Hardware Manufacturing Corporation.

*Best Value*<sup>®</sup>  
Bathware