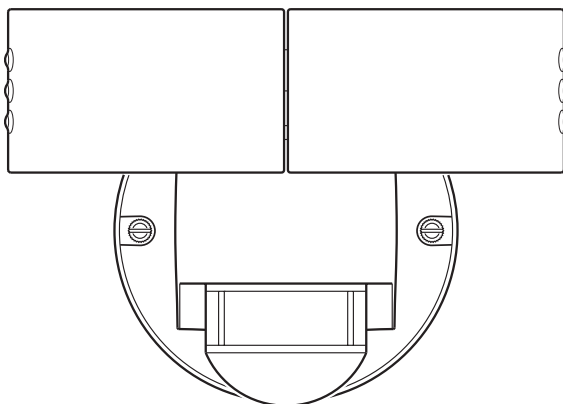


USE AND CARE GUIDE

MOTION SECURITY LIGHT



Questions, problems, missing parts?

Before returning to the store, call Defiant Customer Service
8 a.m.-7 p.m., EST, Monday-Friday, 9 a.m. - 6 p.m., EST, Saturday

1-866-308-3976

HOMEDEPOT.COM

THANK YOU

We appreciate the trust and confidence you have placed in Defiant through the purchase of this motion security light. We strive to continually create quality products designed to enhance your home. Visit us online to see our full line of products available for your home improvement needs. Thank you for choosing Defiant!

Table of Contents

| | | | |
|-------------------------------|---|-------------------------|----|
| Table of Contents | 2 | Tools Required | 3 |
| Safety Information | 2 | Hardware Included | 4 |
| Warranty | 2 | Package Contents | 4 |
| 5-Year Limited Warranty | 2 | Installation | 5 |
| Pre-Installation | 3 | Operation | 7 |
| Planning Installation | 3 | Care and Cleaning | 10 |
| Specifications | 3 | Troubleshooting | 10 |

Safety Information

PRECAUTIONS

- Please read and understand this entire manual before attempting to assemble, install, or operate this light fixture.
- This light fixture requires a 120-Volt AC power source.
- Some codes require installation by a qualified electrician.
- This light fixture must be properly grounded.
- This light fixture should be installed outdoors to a wall or eave.
- The light fixture should be mounted approximately 8 ft. (2.4 m) above the ground. If the light fixture is mounted higher than recommended, aiming the sensor down will reduce the coverage area.



WARNING: Turn the power off at the circuit breaker or fuse. Place tape over the circuit breaker switch and verify power is off at the light fixture.



WARNING: Risk of fire. Keep the lamp heads at least 2 in. (51 mm) from combustible materials.



CAUTION: Burn hazard. Allow the light fixture to cool before touching.

NOTICE: Do not connect this light fixture to a dimmer switch or timer.

- This device complies with Part 15 of the FCC Rules. Operation is subject to the following two conditions: (1) this device may not cause harmful interference, and (2) this device must accept any interference received, including interference that may cause undesired operation.
- CAN ICES-3 (B)/NMB-3(B)

Warranty

5-YEAR LIMITED WARRANTY

WHAT IS COVERED

This product is guaranteed to be free of factory defective parts and workmanship for a period of 5 years from date of purchase. Purchase receipt is required for all warranty claims.

WHAT IS NOT COVERED

This guarantee does not include repair service, adjustment and calibration due to misuse, abuse or negligence, or LEDs. Unauthorized service or modification of the product or of any furnished component will void this warranty in its entirety. This warranty does not include reimbursement for inconvenience, installation, setup time, loss of use, unauthorized service, or return shipping charges. This warranty is not extended to other equipment and components that a customer uses in conjunction with this product.

Contact the Customer Service Team at 1-866-308-3976 or visit www.homedepot.com.

Pre-Installation

PLANNING INSTALLATION

Before installing the light fixture, ensure that all parts are present. Compare parts with the *Hardware Included* and *Package Contents* sections. If any part is missing or damaged, do not attempt to assemble, install, or operate this light fixture.

Estimated installation time: 30 minutes

SPECIFICATIONS

| | |
|-----------------------|---|
| Range | Up to 40 ft. (12.2 m) (Varies with surrounding temperature) |
| Sensing angle | Up to 180° |
| Electrical load - LED | 21 Watts |
| Lumens | 1600 |
| Power requirements | 120 VAC, 60 Hz |
| Operating modes | Test, Motion activated, Manual |
| Time delay | Adjustable – 10 seconds to 10 minutes |

TOOLS REQUIRED



Phillips
screwdriver



1/8 in. Flathead
screwdriver



Wire strippers/
cutters



Circuit tester



Work gloves



Silicone
sealant



Ladder



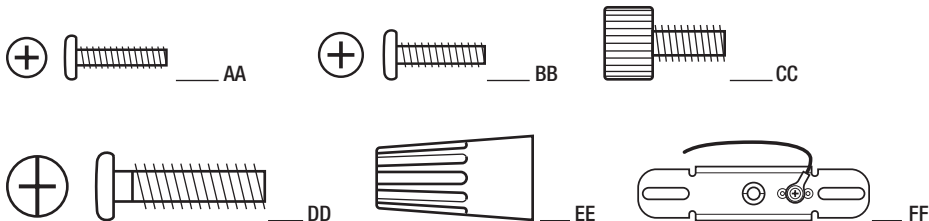
Safety goggles

Pre-Installation (continued)

HARDWARE INCLUDED

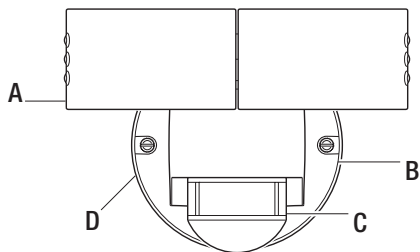


NOTE: Hardware shown to actual size.



| Part | Description | Quantity |
|------|----------------------------------|----------|
| AA | Mounting bracket screw | 2 |
| BB | Mounting bracket screw | 2 |
| CC | Decorative screw (pre-installed) | 2 |
| DD | Mounting bolt | 1 |
| EE | Wire connector | 1 |
| FF | Mounting bracket (not to scale) | 1 |

PACKAGE CONTENTS



| Part | Description | Quantity |
|------|-------------------|----------|
| A | Lamp head | 2 |
| B | Light fixture | 1 |
| C | Motion sensor | 1 |
| D | 1-2-Easy Connect™ | 1 |

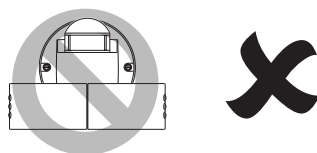
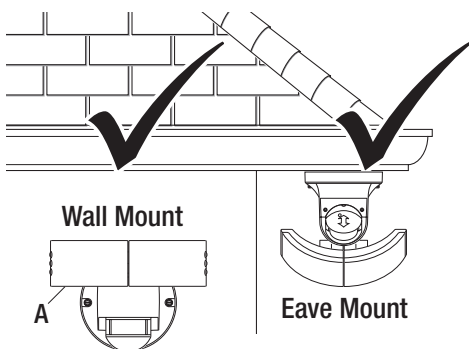
Installation

1 Determining the mounting location



NOTE: The light fixture should be mounted approximately 8 ft. (2.4 m) above the ground. If the light fixture is mounted higher than recommended, aiming the sensor down will reduce the coverage area.

- Determine the mounting location – wall or eave mount.
- Position the lamp heads (A) in the general direction of the desired light coverage.

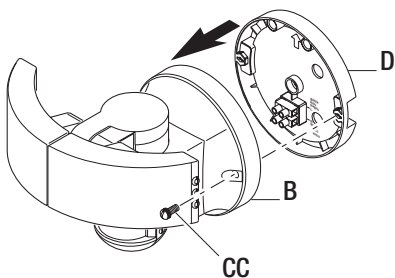


2 Removing the 1-2-Easy Connect™



NOTE: This fixture comes with a 1-2-Easy Connect™ (D). It is pre-assembled on the light fixture (B) for shipping.

- Unscrew the two decorative screws (CC) connecting the light fixture (B) to the 1-2-Easy Connect™ (D) and remove the 1-2-Easy Connect™ (D).



3 Installing the mounting bracket

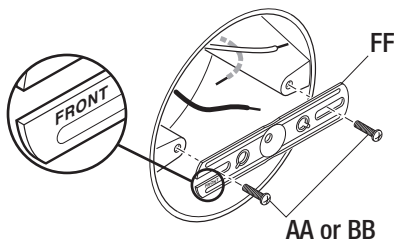


WARNING: Turn the power off at the circuit breaker or fuse. Place tape over the circuit breaker switch and verify power is off at the light fixture.



NOTE: Four mounting bracket screws of various sizes are included. The installation will only require two. Discard the unused mounting bracket screws after installation.

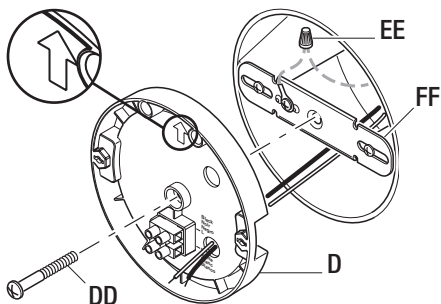
- Remove the existing light fixture.
- Install the mounting bracket (FF) with the stamped word “FRONT” facing away from the junction box. Use the mounting bracket screws (AA or BB) that best fit the junction box.
- Firmly pull on the mounting bracket to verify it is securely mounted to the junction box. If necessary, use the screws that were removed from the existing light fixture.



Installation (continued)

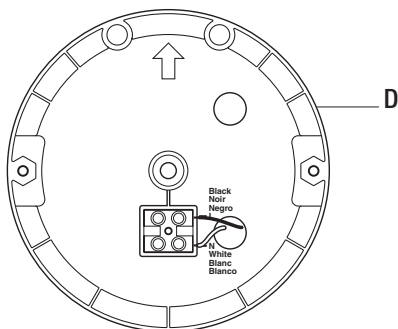
4 Installing the 1-2-Easy Connect™

- Connect the ground wire on the mounting bracket (FF) to the house ground wire using a wire connector (EE).
- Route the junction box wires through a hole in the 1-2-Easy Connect™ (D).
- Place the 1-2-Easy Connect™ (D) against the junction box.
 - When mounting to a wall, the “UP” arrow must point upward.
 - When mounting to an eave, the “UP” arrow must point toward the building.
- Insert the mounting bolt (DD) through the 1-2-Easy Connect™ (D) center hole and thread it into the center hole of the mounting bracket (FF). Tighten the bolt (DD) securely.
- Firmly pull on the 1-2-Easy Connect™ to verify it is securely attached to the mounting bracket.



5 Making the electrical connections

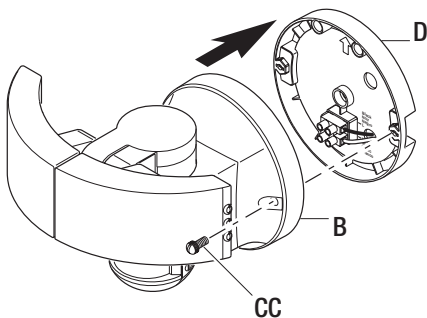
- Insert the junction box wires into the side of the terminal block. Tighten terminal block screws to secure the wires.
 - Insert the white wire from the junction box into the terminal marked “N (White)”.
 - Insert the black wire from the junction box into the terminal marked “L (Black)”.



6 Mounting the light fixture

NOTICE: The two pins on the rear of the light fixture must be inserted into the terminal block for the light to work.

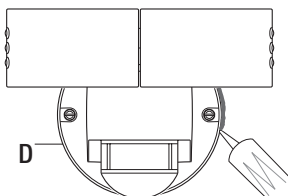
- Align the bottom edge of the light fixture (B) with the bottom edge of the 1-2-Easy Connect™ (D). Tilt the light fixture (B) toward the 1-2-Easy Connect™ (D), making sure the light fixture (B) is centered on the 1-2-Easy Connect™ (D).
- Tighten the two mounting screws (CC) securely to the 1-2-Easy Connect™ (D). Do not overtighten.



Installation (continued)

7 Caulking around the light fixture

- Caulk around the 1-2-Easy Connect™ (D) and mounting surface with silicone sealant (not included).



Operation

1 Adjusting the lamp heads

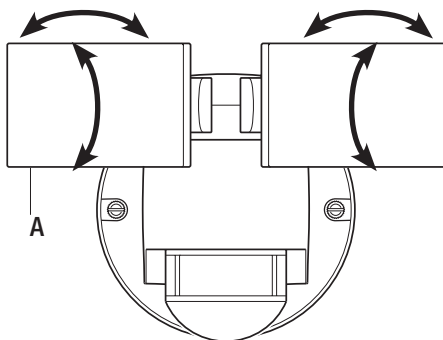


WARNING: Risk of fire. Keep the lamp heads at least 2 in. (51 mm) from combustible materials.



CAUTION: Keep lamp heads 30° below horizontal to avoid water damage and electrical shock.

- Turn the power on at the circuit breaker or fuse and turn on the wall switch.
- If needed, gently grasp the lamp heads (A) and tilt them up or down or side to side to adjust the light coverage area.



2 Setting the sensor for testing



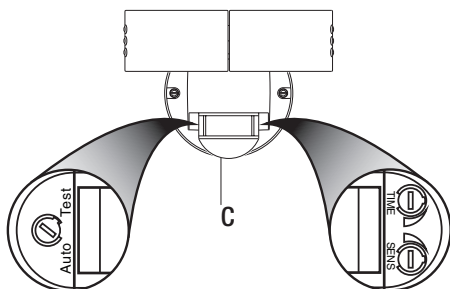
NOTE: When the “Auto / Test” control is set to the “Test” position, the light fixture will operate during the day or night. The light will stay on for 8 seconds after all motion is stopped.

- Turn the “Auto / Test” control fully clockwise to the “Test” position.
- Turn the “TIME” control fully counterclockwise to the minimum position.
- Turn the “SENS” control fully clockwise to the minimum position.

- After all adjustments are complete, turn the “Auto / Test” control fully counterclockwise to the “Auto” position.

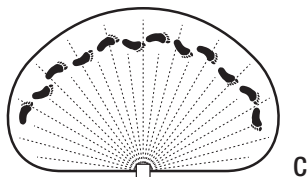


NOTE: The motion sensor will need to completely warm up (60 seconds) before beginning the setup process.



3 Adjusting the motion sensor detection zone

- Perform a “walk test”: walk in an arc across the front of the motion sensor (C).
- Watch the light. The light will come on and the red LED will flash indicating motion has been detected.
- Stop, wait for the light to turn off, and then begin walking again.
- Continue this process until the detection zone has been established.
- If needed, gently grasp the motion sensor (C) and move it from side to side or up and down to adjust the detection zone.



4 Adjusting the SENS control

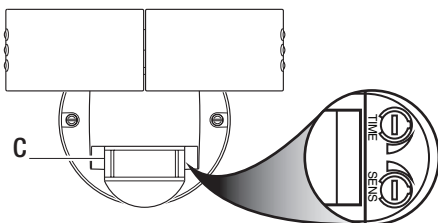
- To increase the detection zone, turn the “SENS” control counterclockwise.
- To decrease the detection zone, turn the “SENS” control clockwise.



NOTE: The motion sensor (C) is more sensitive to motion moving across the front of the sensor. The motion sensor (C) is less sensitive to motion moving directly toward the front of the sensor.



NOTE: The higher the “SENS” setting (sensitivity), the greater the possibility of false triggering. To reduce false triggering, turn the “SENS” control clockwise.

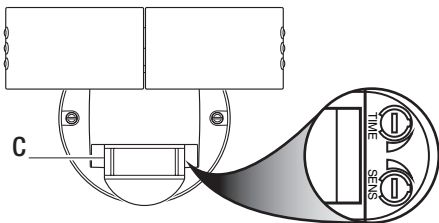


5 Adjusting the TIME control



NOTE: The "TIME" control determines the amount of time the light will stay on full bright after all motion has stopped.

- To increase the time, turn the "TIME" control clockwise.
- To decrease the time, turn the "TIME" control counterclockwise.



6 Using manual mode



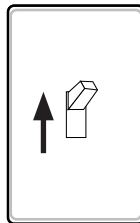
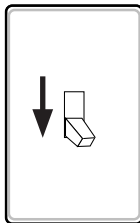
NOTE: Manual mode overrides the motion sensor (C) and "TIME" control so the light will operate full bright. This feature only works at night and only for one night at a time. The motion sensor (C) will reset to motion sensing mode after 6 hours or sunrise, whichever comes first. Manual mode can be toggled on and off using a wall switch.

The following steps must be completed within 3 seconds for manual mode to operate correctly:

- To turn manual mode on, switch the light OFF-ON-OFF-ON.
- To turn manual mode off, switch the light OFF-ON-OFF-ON.



NOTE: If the power to the light fixture is off for more than 5 seconds, allow the motion sensor to warm up prior to switching to manual mode.



Turn the switch OFF-ON-OFF-ON
within 3 seconds

Care and Cleaning

- To prolong the original appearance, clean the light fixture with clear water and a soft, damp cloth only.
- Do not use paints, solvents, or other chemicals on this light fixture. They could cause a premature deterioration of the finish. This is not a defect in the finish and will not be covered by the warranty.
- Do not spray the light fixture with a hose or power washer.

Troubleshooting

| Problem | Possible Cause | Solution |
|---|--|--|
| The light will not come on. | <ul style="list-style-type: none"> □ The light switch is turned off. □ The fuse is blown or the circuit breaker is turned off. □ Daylight turn-off (photocell) is in effect. □ The circuit wiring is incorrect (if this is a new installation). □ The motion sensor is aimed in the wrong direction. □ The outside air temperature is close to the same as a person's body heat. | <ul style="list-style-type: none"> □ Turn the light switch on. □ Replace the fuse or turn the circuit breaker on. □ Recheck after dark. □ Verify the wiring is correct. □ Re-aim the motion sensor to cover the desired area. □ Increase the "SENS" setting. |
| The light comes on during the day. | <ul style="list-style-type: none"> □ The motion sensor may be installed in a relatively dark location. □ The "Auto / Test" control is in the "Test" position. | <ul style="list-style-type: none"> □ The light fixture is operating normally under these circumstances. □ Set the "Auto / Test" control to the "Auto" setting. |
| The light comes on for no apparent reason. | <ul style="list-style-type: none"> □ The motion sensor may be sensing small animals or automobile traffic. □ The "SENS" control is set too high. □ The outside temperature is much warmer or cooler than a person's body heat (summer or winter). □ The light fixture is wired through a dimmer or timer. | <ul style="list-style-type: none"> □ Decrease the "SENS" setting or reposition the motion sensor. □ Decrease the "SENS" setting. □ Decrease the "SENS" setting. □ Do not use a dimmer or timer to control the light fixture. Replace the dimmer or timer with a standard on/off wall switch. |
| The lights turn off too late in the "Auto" setting. | <ul style="list-style-type: none"> □ The light fixture may be installed in a relatively dark location. | <ul style="list-style-type: none"> □ The light fixture is operating normally under these circumstances. |

Troubleshooting (continued)

| Problem | Possible Cause | Solution |
|---|--|---|
| The lights stay on continuously. | <ul style="list-style-type: none"> <li data-bbox="346 164 713 261">□ The motion sensor may be picking up a heat source, such as an air vent, dryer vent, or brightly painted, heat-reflective surface. <li data-bbox="346 277 713 302">□ The motion sensor is in manual mode. <li data-bbox="346 367 713 415">□ The light fixture is wired through a dimmer or timer. <li data-bbox="346 496 713 578">□ The light fixture is on the same circuit as a motor, transformer, or fluorescent bulb. | <ul style="list-style-type: none"> <li data-bbox="735 164 1000 237">□ Decrease the “SENS” setting or reposition the motion sensor. <li data-bbox="735 277 1000 350">□ Switch the motion sensor to auto. See <i>Using manual mode</i> on page 9. <li data-bbox="735 367 1000 488">□ Do not use a dimmer or timer to control the light fixture. Replace the dimmer or timer with a standard on/off wall switch. <li data-bbox="735 505 1000 594">□ Install the light fixture on a circuit without motors, transformers, or fluorescent bulbs. |
| The lights flash on and off. | <ul style="list-style-type: none"> <li data-bbox="346 618 713 667">□ Heat or light from the bulbs may be turning the motion sensor on and off. <li data-bbox="346 699 713 781">□ Heat is being reflected from other objects and may be turning the motion sensor on and off. <li data-bbox="346 797 713 846">□ The motion sensor is in “TEST” mode and warming up. | <ul style="list-style-type: none"> <li data-bbox="735 618 1000 691">□ Reposition the lamp heads away from the motion sensor. <li data-bbox="735 708 1000 781">□ Decrease the “SENS” setting or reposition the motion sensor. <li data-bbox="735 797 1000 886">□ While in “TEST” mode, the light only stays on for 8 seconds. Set the “Auto / Test” control to “Auto”. |
| The lights flash once then stay off in manual mode. | <ul style="list-style-type: none"> <li data-bbox="346 902 713 951">□ The motion sensor is detecting light from the lamp heads. | <ul style="list-style-type: none"> <li data-bbox="735 902 1000 992">□ Reposition the lamp heads to keep the area below the motion sensor relatively dark. |

DEFIANT®

Questions, problems, missing parts?

**Before returning to the store, call Defiant Customer Service
8 a.m.-7 p.m., EST, Monday-Friday, 9 a.m. - 6 p.m., EST, Saturday**

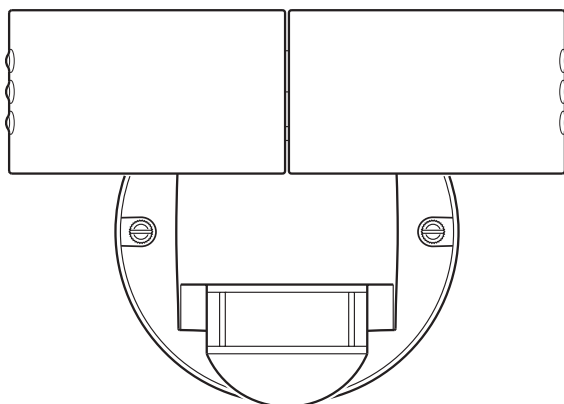
1-866-308-3976

HOMEDEPOT.COM

Retain this manual for future use.

GUÍA PARA EL USO Y CUIDADO

LUZ DE SEGURIDAD POR MOVIMIENTO



¿Tiene preguntas, problemas o piezas faltantes?

Antes de devolverlo a la tienda, llame a Servicio al Cliente de Defiant de 08 a.m.-7 p.m., EST, Lunes - Viernes, 09 a.m.-6 p.m., EST, sábado.

1-866-308-3976

HOMEDEPOT.COM

GRACIAS

Agradecemos la fe y la confianza que usted ha depositado en Defiant al comprar esta luz de seguridad por movimiento. Procuramos crear continuamente productos de calidad diseñados para mejorar su hogar. Visitenos en internet para ver nuestra línea completa de productos disponibles que necesita para el mejoramiento de su hogar. ¡Gracias por escoger Defiant!

Contenido

| | | | |
|---------------------------------------|----|-------------------------------|----|
| Contenido | 14 | Herramientas Requeridas | 15 |
| Información de seguridad | 14 | Ferretería Incluida..... | 16 |
| Garantía..... | 14 | Contenido del Paquete..... | 16 |
| 5 años de garantía limitada | 14 | Instalación | 17 |
| Antes de la instalación..... | 15 | Operación..... | 19 |
| Planificación de la Instalación | 15 | Cuidado y limpieza | 22 |
| Especificaciones | 15 | Análisis de averías | 22 |

Información de seguridad

PRECAUCIONES

- Por favor lea y entienda todo este manual antes de tratar de ensamblar, instalar u operar este aparato de luz.
- Esta lámpara requiere una fuente de alimentación de 20 voltios de CA.
- Algunos códigos exigen que la instalación la realice un electricista calificado.
- Este aparato de luz debe estar correctamente conectado a tierra.
- Para que opere correctamente, este aparato de luz debe ser:
- Esta lámpara debe ser instalada fuera de casa sobre una pared o aleros.
- Esta lámpara debe ser instalada aproximadamente a 8 pies (2,4 m) por encima del suelo. Si se la instala a una altura más alta de la recomendada, se reducirá la zona de cobertura si apunta el detector hacia abajo.



ADVERTENCIA: Desconecte la energía eléctrica en el disyuntor o en el fusible. Coloque cinta aislante sobre el interruptor disyuntor y compruebe que no haya energía eléctrica en el aparato de luz.



ADVERTENCIA: Riesgo de incendio. Mantenga los cabezales de la lámpara por lo menos a 2 pulgadas (51 mm) de materiales combustibles.



PRECAUCIÓN: Peligro de quemaduras. Deje que el aparato de luz se enfríe antes de tocarlo.

AVISO: No conecte este aparato de luz a un interruptor reductor de luz ni a un temporizador.

- Este aparato cumple con la Parte 15 de las Reglas de la FCC. La operación está sujeta a las dos siguientes condiciones: (1) este aparato no puede causar interferencias perjudiciales y (2) este aparato debe aceptar cualquier interferencia recibida, incluyendo una interferencia que pueda causar un funcionamiento indeseado.
- CAN ICES-3 (B)/NMB-3(B)

Garantía

5 AÑOS DE GARANTÍA LIMITADA

LO QUE SE CUBRE

Se garantiza que este producto no tiene partes defectuosas de fábrica o de mano de obra por un período de 5 años desde la fecha de compra. Se necesita el recibo de compra para todos los reclamos de garantía.

LO QUE NO SE CUBRE

Esta garantía no incluye el servicio de reparación, ajuste y calibración debido al mal uso, abuso o negligencia, o LEDs. Los servicios no autorizados o las modificaciones hechas al producto o a cualquier componente invalidarán esta garantía en su totalidad. Esta garantía no incluye reembolso por inconveniencia, instalación, tiempo de instalación, pérdida de uso, servicio no autorizado, o gastos de envío. Esta garantía no se extiende a otros equipos o componentes que el consumidor usa junto con este producto.

Póngase en contacto con el personal de servicio al cliente al 1-866-308-3976 o visite el sitio www.homedepot.com.

Antes de la instalación

PLANIFICACIÓN DE LA INSTALACIÓN

Antes de instalar el aparato de luz, esté seguro que estén todas las piezas. Compare las piezas con la *Ferretería incluida* y las secciones de *Contenidos del paquete*. Si cualquier pieza falta o está dañada, no intente ensamblar, instalar ni operar este aparato de luz.

Tiempo estimado para la instalación: 30 minutos

ESPECIFICACIONES

| | |
|------------------------------------|---|
| Alcance | Hasta 40 pies (12,2 m) (Varía con la temperatura circundante) |
| Ángulo de detección | Hasta 180° |
| Carga eléctrica - DEL | 21 Vatios |
| Lúmenes | 1600 |
| Requisitos de la energía eléctrica | 120 VCA, 60 Hz |
| Fases de operación | Prueba, activado por movimiento, manual |
| Retardo de tiempo | Regulable - 10 segundos a 10 minutos |

HERRAMIENTAS REQUERIDAS



Destornillador phillips



Destornillador de cabeza plana de 1/8 de pulgada



Peladores/cortadores de cables



Probador de circuitos



Guantes de trabajo



Sellador de silicona



Escalera



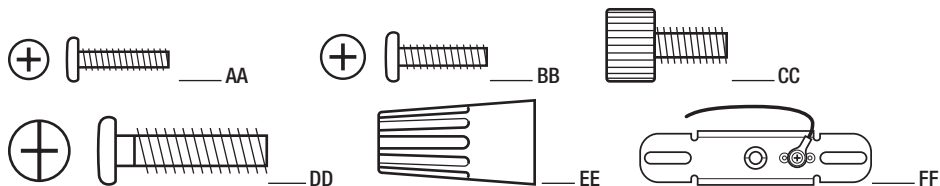
Gafas de seguridad

Antes de la instalación (continuación)

FERRETERÍA INCLUIDA

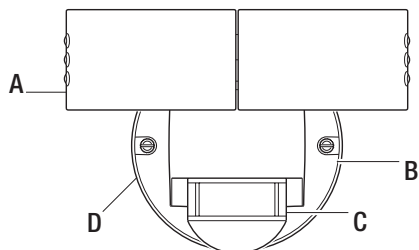


NOTA: La ferretería se muestra en su tamaño real



| Pieza | Descripción | Cantidad |
|-------|---------------------------------------|----------|
| AA | Tornillo del soporte de montaje | 2 |
| BB | Tornillo del soporte de montaje | 2 |
| CC | Tornillo decorativo (pre-instalado) | 2 |
| DD | Tornillo de montaje | 1 |
| EE | Capuchón para cable | 1 |
| FF | Soporte de montaje (no está a escala) | 1 |

CONTENIDO DEL PAQUETE



| Pieza | Descripción | Cantidad |
|-------|-------------------------------------|----------|
| A | Cabezal de lámpara | 2 |
| B | Artefacto de luz | 1 |
| C | Detector de movimiento | 1 |
| D | 1-2-Easy Connect™ (conexión rápida) | 1 |

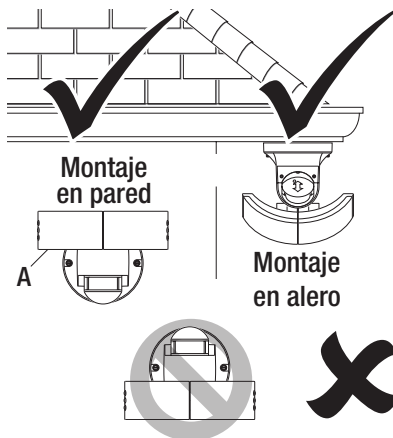
Instalación

1 Determinación del sitio de montaje



NOTA: Esta lámpara debe ser instalada aproximadamente a 8 pies (2,4 m) por encima del suelo. Si se la instala a una altura más alta de la recomendada, se reducirá la zona de cobertura si apunta el detector hacia abajo.

- Determine el sitio de montaje – pared o alero.
- Coloque los cabezales de la lámpara (A) en la dirección general de la cobertura de luz deseada.

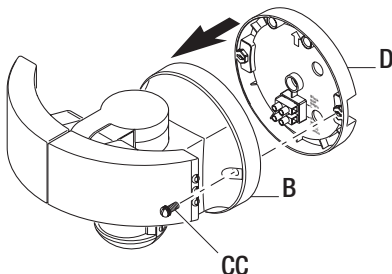


2 Retiro del 1-2-Easy Connect™



NOTA: Este dispositivo viene con un 1-2-Easy Connect™ (D). Está premontado en la lámpara (B) para ser enviado.

- Afloje los dos tornillos decorativos (CC) que conectan la lámpara (B) a la 1-2-Easy Connect™ (D) y quite la 1-2-Easy Connect™ (D).



3 Instalación del soporte de montaje

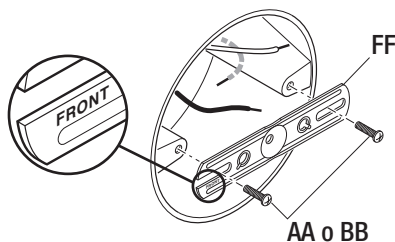


ADVERTENCIA: Desconecte la energía eléctrica en el disyuntor o en el fusible. Coloque cinta aislante sobre el interruptor disyuntor y compruebe que no haya energía eléctrica en el aparato de luz.



NOTA: Se incluyen cuatro tornillos de varios tamaños para el soporte de montaje. La instalación sólo requiere dos. Deseche los tornillos del soporte de montaje no utilizados luego de la instalación.

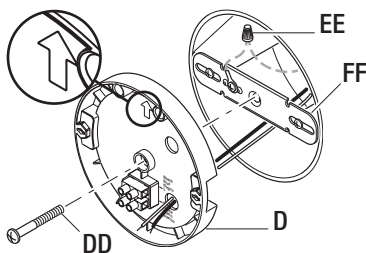
- Retire el aparato de luz existente.
- Instale el soporte de montaje (FF) con la palabra estampada “FRENTE” en dirección contraria a la caja de conexiones. Use los tornillos del soporte de montaje (AA o BB) que mejor encajen con la caja de conexiones.
- Hale con firmeza el soporte de montaje para verificar que esté bien montado en la caja de conexiones. Si es necesario, use los tornillos que fueron retirados del aparato de luz anterior.



Instalación (continuación)

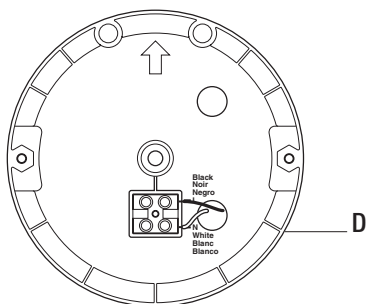
4 Instalación del 1-2-Easy Connect™

- Conecte el cable de a tierra del soporte de montaje (FF) con el cable de a tierra de la casa utilizando un conector de cable (EE).
- Pase los cables de la caja de conexiones por un agujero en el 1-2-Easy Connect™ (D).
- Coloque el 1-2-Easy Connect™ (D) contra la caja de conexiones.
 - Cuando la instale sobre una pared, la flecha "UP" (Hacia Arriba) debe apuntar hacia arriba.
 - Cuando la instale sobre un alero, la flecha "UP" (Hacia Arriba) debe apuntar hacia el edificio.
- Inserte el perno de montaje (DD) por el orificio central del 1-2-Easy Connect™ (D) e insértelo en el orificio central del soporte de montaje (FF). Apriete el perno (DD) de forma segura.
- Hale firmemente del 1-2-Easy Connect™ para verificar que está correctamente conectado al soporte de montaje.



5 Cómo hacer las conexiones eléctricas

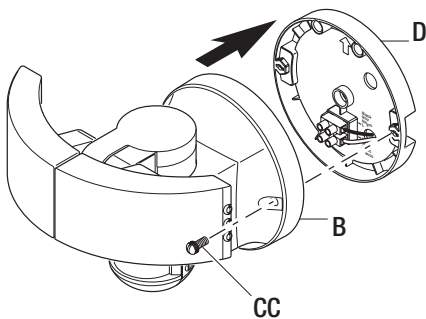
- Inserte los cables de la caja de conexiones en el lado del bloque de terminales. Apriete los tornillos del bloque de terminales para asegurar los cables.
 - Inserte el cable blanco de la caja de conexiones en el terminal marcado "N (White)".
 - Inserte el cable negro de la caja de conexiones en el terminal marcado "L (Black)".



6 Montaje del aparato de luz

AVISO: Las dos clavijas de la parte posterior de la lámpara se deben insertar en el bloque de terminales para que la luz funcione.

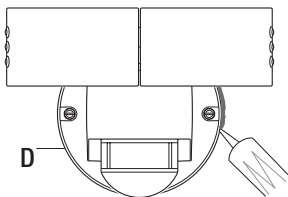
- Alinee el borde inferior de la lámpara (B) con el borde inferior del 1-2-Easy Connect™ (D). Incline la lámpara (B) hacia el 1-2-Easy Connect™ (D) asegurándose de que la lámpara (B) se centre en el 1-2-Easy Connect™ (D).
- Apriete bien los dos tornillos de montaje (CC) en la 1-2-Easy Connect™ (D). No apriete excesivamente.



Instalación (continuación)

7 Calafatee alrededor del aparato de luz

- Calafatee alrededor del 1-2-Easy Connect™ (D) y de la superficie de montaje con un sellador de silicona contra la intemperie (no incluido).



Operación

1 Ajuste de los cabezales de la lámpara

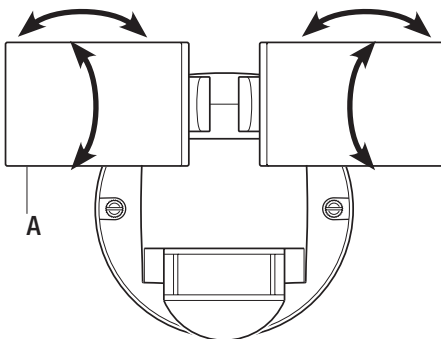


ADVERTENCIA: Riesgo de incendio. Mantenga los cabezales de la lámpara por lo menos a 2 pulgadas (51 mm) de materiales combustibles.



PRECAUCIÓN: Mantenga los cabezales de la lámpara 30° debajo de la línea horizontal para evitar daños por agua y descargas eléctricas.

- Conecte la energía eléctrica en el disyuntor o en el fusible y encienda el interruptor de la pared.
- Si es necesario, sujete suavemente los cabezales de la lámpara (A) e inclínelos hacia arriba o hacia abajo o de lado a lado para ajustar el área de cobertura de la luz.



2 Calibración del detector para prueba



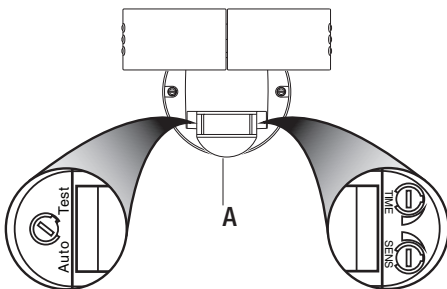
NOTA: Cuando el control "Auto / Test" esté en la posición "Test", la lámpara funcionará durante el día o la noche. La luz permanecerá encendida 8 segundos después que todo movimiento se ha detenido.

- Gire el control "Auto / Test" completamente a la derecha a la posición "Test".
- Gire el control "TIME" completamente a la izquierda a la posición mínima.
- Gire el control "SENS" completamente hacia la derecha hasta la posición mínima.



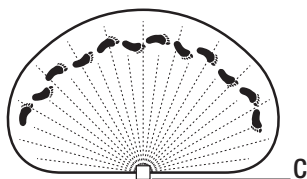
- Después de completar todos los ajustes, gire el control de "Auto / Test" completamente a la izquierda a la posición "Auto".

NOTA: El detector de movimiento necesitará calentarse completamente (60 segundos) antes de empezar el proceso de puesta a punto.



3 Regulación de la zona de detección del detector de movimiento

- Haga una “prueba caminando”: camine transversalmente a la parte frontal del detector de movimiento (C) siguiendo la trayectoria de un arco.
- Observe la luz. La luz se encenderá y el LED rojo destellará indicando que se ha detectado movimiento.
- Deténgase, espere que la luz se apague, y luego empiece a caminar de nuevo.
- Continúe este proceso hasta que la zona de detección haya sido establecida.
- Si es necesario, sujete suavemente el detector de movimiento (C) y muévalo de lado a lado o de arriba hacia abajo para ajustar la zona de detección.



4 Ajuste del control SENS

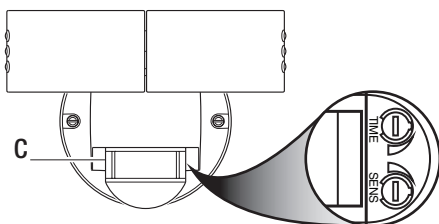
- Para aumentar la zona de detección, gire el “SENS” control hacia la izquierda.
- Para disminuir la zona de detección, gire el control “SENS” hacia la derecha.



NOTA: El detector de movimiento (C) es más sensible al movimiento transversal a la parte frontal del detector. El detector de movimiento (C) es menos sensible al movimiento que se dirige directamente hacia la parte frontal del detector.



NOTA: Mientras mayor sea la calibración del “SENS” (sensibilidad), mayor será la posibilidad de falsas alarmas. Para reducir las falsas alarmas, gire el control “SENS” hacia la derecha.

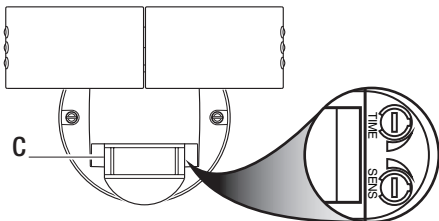


5 Ajuste del control de TIEMPO (TIME)



NOTA: El control de TIEMPO (TIME) determina la cantidad de tiempo que la luz permanecerá encendida con plena brillantez después de que todo movimiento se ha detenido.

- Para aumentar el tiempo, gire el control "TIME" hacia la derecha.
- Para reducir el tiempo, gire el control de "TIME" hacia la izquierda.



6 Uso de la fase manual



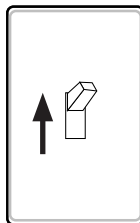
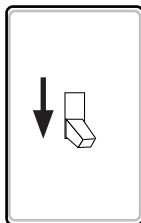
NOTA: La modalidad manual anula el sensor de movimiento (C) y el control "TIME" para que la luz funcione con plena brillantez. Esta característica funciona solamente en la noche y solamente una noche a la vez. El detector de movimiento (C) se reiniciará en la modalidad de detección de movimiento después de 6 horas o cuando salga el sol, lo que ocurra primero. La fase manual puede también alternar entre encendido y apagado mediante el interruptor de pared.

Los siguientes pasos se deben completar dentro de 3 segundos para que la modalidad manual funcione correctamente:

- Para activar la modalidad manual, APAGUE – PRENDA- APAGUE - PRENDA la luz.
- Para desactivar la modalidad manual , APAGUE – PRENDA- APAGUE - PRENDA la luz.



NOTA: Si la energía eléctrica al aparato de luz es apagada por más de 5 segundos, deje que el detector de movimiento se caliente antes del cambio a la fase manual.



APAGUE – PRENDA- APAGUE - PRENDA el interruptor dentro de 3 segundos

Cuidado y limpieza

- Para prolongar la apariencia original, limpie la lámpara solo con agua limpia y un paño suave y húmedo.
- No use pinturas, solventes ni otros químicos en este aparato de luz. Podrían ser la causa de una prematura deterioración del acabado. Esto no es un defecto del acabado y no será cubierto por la garantía.
- No rocíe la lámpara con una manguera o lavadora a presión.

Análisis de averías

| Problema | Causa Probable | Solución |
|--|---|---|
| La luz no se enciende. | <ul style="list-style-type: none"> □ El interruptor de la luz está apagado. □ El fusible está quemado o el disyuntor está desconectado. □ El apagado de la luz diurna (fotocélula) está vigente. □ El cableado del circuito es incorrecto (si esta es una instalación nueva). □ El detector de movimiento está enfocando a la dirección incorrecta. □ La temperatura del aire exterior está cercana al calor corporal de una persona. | <ul style="list-style-type: none"> □ Encienda el interruptor de la luz. □ Cambie el fusible o conecte el disyuntor. □ Vuelva a revisar al amanecer. □ Verifique que el cableado esté correcto. □ Vuelva a enfocar el detector de movimiento para que cubra el área deseada. □ Aumente la calibración del alcance ("SENS"). |
| La luz se enciende durante el día. | <ul style="list-style-type: none"> □ El detector de movimiento puede estar instalado en un sitio relativamente oscuro. □ El control "Auto / Test" está en la posición de "Test". | <ul style="list-style-type: none"> □ El aparato de luz está operando normalmente bajo estas circunstancias. □ Fije el control "Auto / Test" al ajuste "Auto". |
| La luz se enciende sin razón aparente. | <ul style="list-style-type: none"> □ El detector de movimiento puede estar detectando pequeños animales o tráfico automotor. □ El control "SENS" está calibrado demasiado alto. □ La temperatura exterior está más caliente o más fría que el calor corporal de una persona (verano o invierno). □ El aparato de luz está cableado a través de un reductor de luz o de un temporizador. | <ul style="list-style-type: none"> □ Reduzca la calibración del alcance ("SENS") o vuelva a colocar el detector de movimiento. □ Reduzca la calibración del alcance ("SENS"). □ Reduzca la calibración del alcance ("SENS"). □ No use un reductor de luz o un temporizador para controlar el aparato de luz. Cambie el reductor de luz o el temporizador por un interruptor de pared estándar de encendido/apagado. |
| Las luces se apagan demasiado tarde en el ajuste "Auto". | <ul style="list-style-type: none"> □ El aparato de luz puede estar instalado en un sitio relativamente oscuro. | <ul style="list-style-type: none"> □ El aparato de luz está operando normalmente bajo estas circunstancias. |

Análisis de averías (continuación)

| Problema | Causa Probable | Solución |
|--|---|---|
| Las luces permanecen encendidas constantemente. | <ul style="list-style-type: none"> □ El detector de movimiento puede estar absorbiendo calor de una fuente de calor como una ventosa de aire, una secadora de aire, o una superficie pintada con colores brillantes y que refleja el calor. □ El detector de movimiento está en la fase manual. □ El aparato de luz está cableado a través de un reductor de luz o de un temporizador. □ El aparato de luz está en el mismo circuito que un motor, transformador o tubo fluorescente. | <ul style="list-style-type: none"> □ Reduzca la calibración del alcance ("SENS") o vuelva a colocar el detector de movimiento. □ Cambie el detector de movimiento a automático. Vea <i>Uso de la fase manual</i> en la página 21. □ No use un reductor de luz o un temporizador para controlar el aparato de luz. Cambie el reductor de luz o el temporizador por un interruptor de pared estándar de encendido/apagado. □ Instale el aparato de luz en un circuito sin motores, transformadores o tubos fluorescentes. |
| Las luces se encienden y se apagan. | <ul style="list-style-type: none"> □ El calor o la luz de las bombillas puede estar encendiendo y apagando al detector de movimiento. □ El calor reflejado desde otro objeto puede estar encendiendo y apagando al detector de movimiento. □ El detector de movimiento está en la fase "TEST" (PRUEBA) y calentándose. | <ul style="list-style-type: none"> □ Vuelva a colocar los cabezales de la lámpara lejos del detector de movimiento. □ Reduzca la calibración del alcance ("SENS") o vuelva a colocar el detector de movimiento. □ Mientras está en la modalidad "TEST", la luz sólo permanece encendida por 8 segundos. Fije el control "Auto / Test" en "Auto". |
| Las luces destellan una vez y luego permanecen apagadas en la fase manual. | <ul style="list-style-type: none"> □ El detector de movimiento está detectando luz de los cabezales de la lámpara. | <ul style="list-style-type: none"> □ Vuelva a colocar los cabezales de la lámpara para mantener el área por debajo del detector de movimiento relativamente oscura. |

DEFIANT®

¿Tiene preguntas, problemas o piezas faltantes?

Antes de devolverlo a la tienda, llame a Servicio al Cliente de Defiant de 08 a.m.-7 p.m., EST, Lunes - Viernes, 09 a.m.-6 p.m., EST, sábado.

1-866-308-3976

HOMEDEPOT.COM

Guarde este manual para uso futuro.