

# GDT695SGJ/SMJ/SSJ/SBL

## GE Appliances Stainless Steel Interior Dishwasher with Hidden Controls

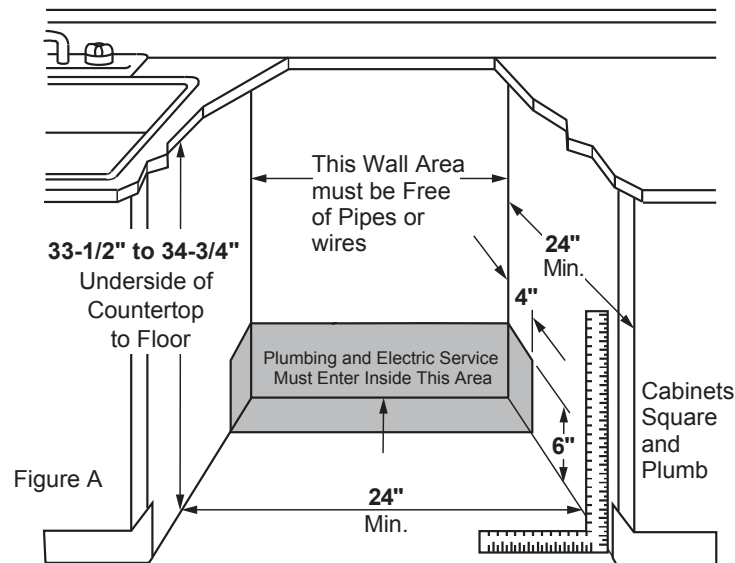
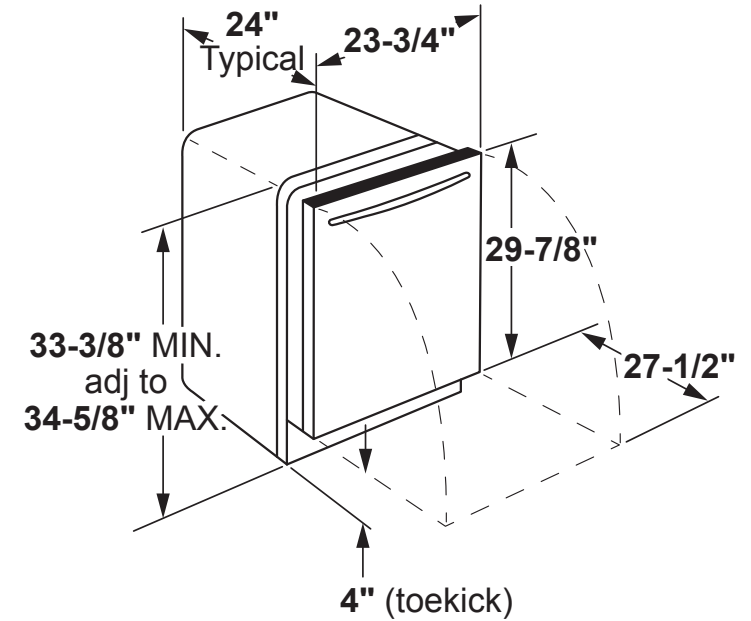
### DIMENSIONS AND INSTALLATION INFORMATION (IN INCHES)

#### ELECTRICAL RATING

Voltage AC.....	120
Hertz.....	60
Total connected load amperage.....	7.2
Calrod® heater watts max.....	415/800

For use on adequately wired 120-volt, 15-amp circuit having 2-wire service with a separate ground wire. This appliance must be grounded for safe operation.

**INSTALLATION INFORMATION:** Before installing, consult installation instructions packed with product for current dimensional data.



For answers to your Monogram, GE Café™ Series, GE Profile™ Series or GE Appliances product questions, visit our website at [geappliances.com](http://geappliances.com) or call GE Answer Center® Service, 800.626.2000.



Listed by Underwriters Laboratories



As an ENERGY STAR® partner, GE has determined that this product meets the ENERGY STAR guidelines for energy efficiency.

# GDT695SGJ/SMJ/SSJ/SBL

## *GE Appliances Stainless Steel Interior Dishwasher with Hidden Controls*

### **FEATURES AND BENEFITS**

**Third Rack** - Easily clean an entire flatware collection, knives and small utensils with an additional rack across the top of the dishwasher

**Bottle Jets** - Clean hard-to-reach areas inside tall items with dedicated jets integrated into the upper rack that shower water deep inside for the ultimate clean

**Easy touch adjustable upper rack with 2 Stem Safe shelves** - Quickly adjust the upper rack 2 inches up or down to accommodate tall glassware and 10 ½" plates with plenty of room in the bottom rack for large platters and cookie sheets

**Piranha™ hard food disposer with removable filter** - To ensure consistently clean items, this stainless steel blade rotates at 3,600 RPM to pulverize food particles and helps to prevent large particles from clogging the wash arms

**Full-extension smooth-glide upper rack** - Loading and unloading is smooth and simple with a durable rack that fully extends on ball bearings

**Hidden vent with fan dry** - Dishes dry quickly and efficiently with a fan that extracts moisture from the interior

**Lower rack multi-position, fold-down tines** - Configure racks to fit your dishes with adjustable loading options including multi-position, fold-down tines

**Floor Protect** - Uncommon leaks can be easily detected and contained

**45 dBA** - Ultra-quiet operation creates a peaceful kitchen environment even as it delivers powerful wash performance

Model GDT695SSJSS – Stainless steel

Model GDT695SGJWW – White

Model GDT695SGJBB – Black

Model GDT695SMJES – Slate

Model GDT695SBLTS – Black Stainless

