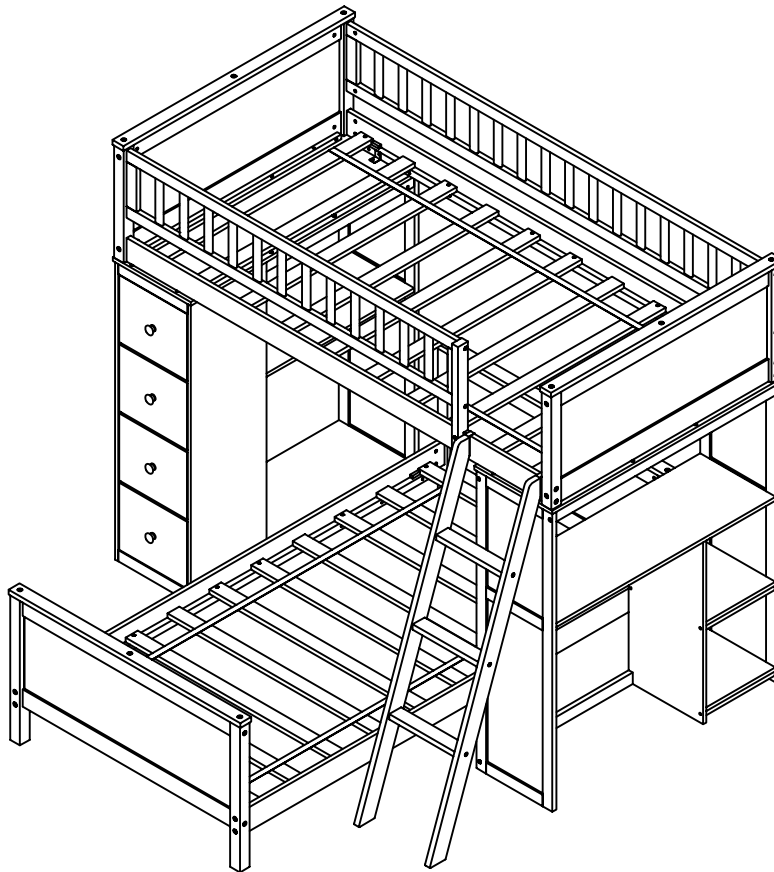


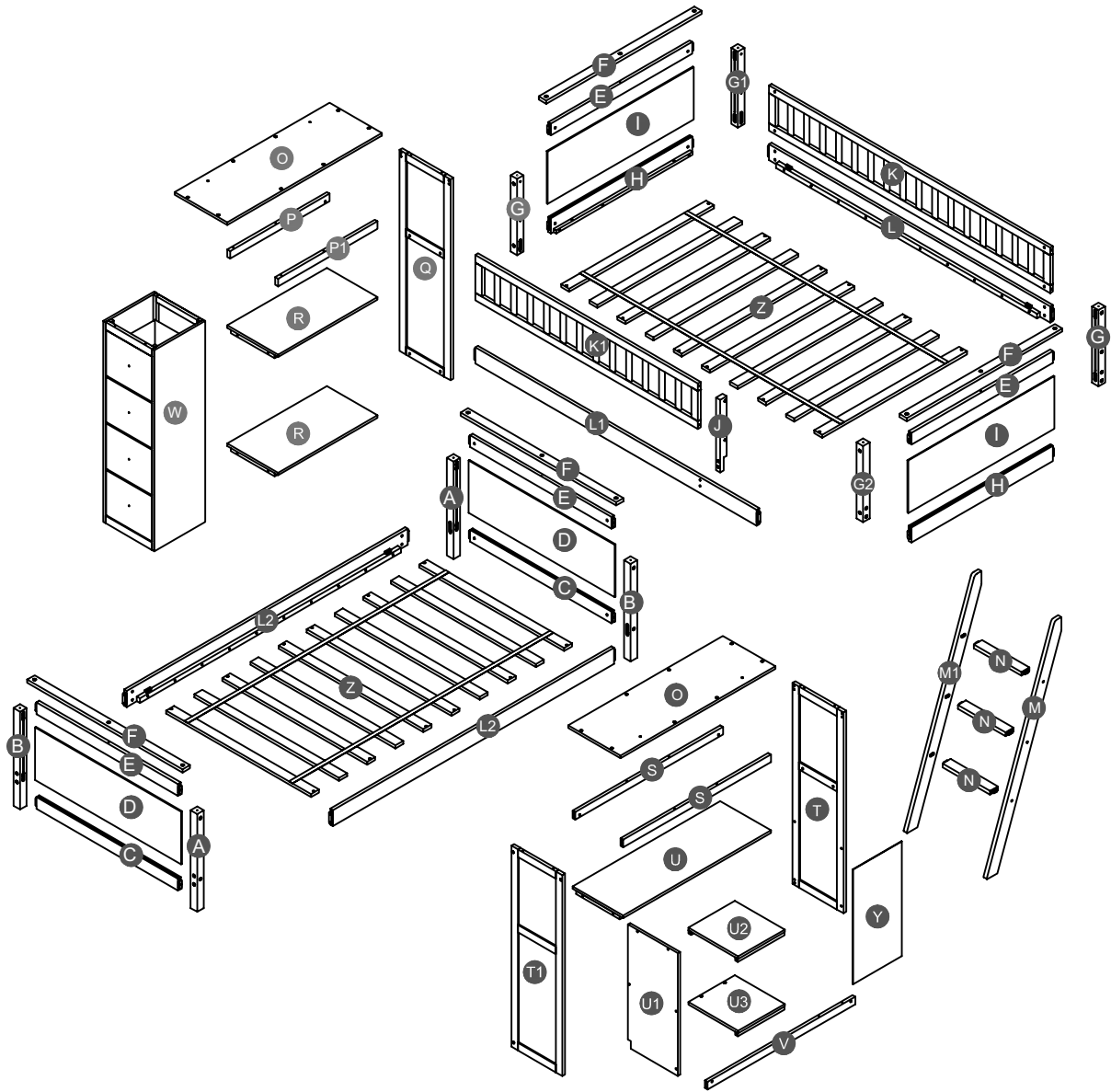
# ASSEMBLY INSTRUCTIONS

## BUNK BED WITH CHEST & SHELF



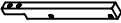

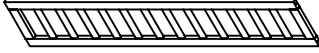
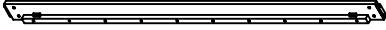
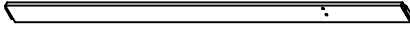
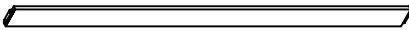
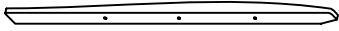
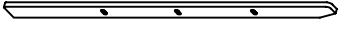
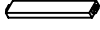
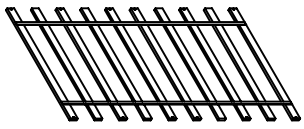
WF190837/190838/190839

# Detail View

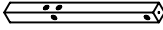
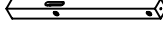

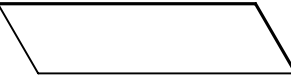
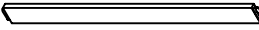
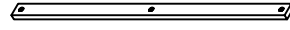
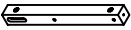

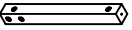

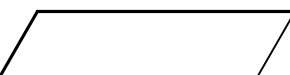
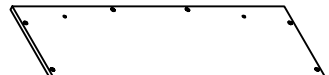





# Part List

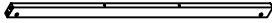



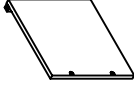
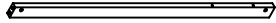

**WF190837**

<b>J</b> 	<b>K</b> 	<b>K1</b> 
Support guard rail - 1pc	Upper back side rail-1pc	Upper front side rail-1pc
<b>L</b> 	<b>L1</b> 	<b>L2</b> 
Upper back side rail-1pc	Upper front side rail-1pc	Lower front & back side rail-2pcs
<b>M</b> 	<b>M1</b> 	<b>N</b> 
Right side ladder -1pc	Left side ladder -1pc	Step ladder -3pcs
<b>Z</b> 		
Upper Lower Slat - 2sets (8pcs/set)		

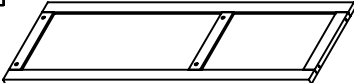

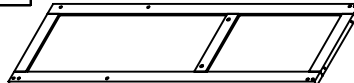
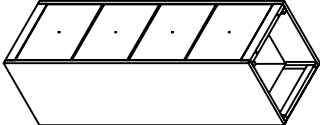
**WF190838**

<b>A</b> 	<b>B</b> 	<b>C</b> 
Lower leg HB&FB(Right)-2pcs	Lower leg HB&FB (Left)-2pcs	Lower Horizontal bar HB&FB-2pcs
<b>D</b> 	<b>E</b> 	<b>F</b> 
Lower Panel HB&FB-2pcs	Upper Lower Horizontal bar HB&FB-4pcs	Cap for upper lower HB&FB -4pcs
<b>G</b> 	<b>G1</b> 	<b>G2</b> 
Upper leg HB&FB(Left)-2pcs	Upper leg HB(Right back)-1pc	Upper leg (Right front)-1pc
<b>H</b> 	<b>I</b> 	<b>O</b> 
Upper Lower Horizontal bar HB&FB-2pcs	Upper Panel HB&FB-2pcs	Top HB&FB-2pcs
<b>P</b> 	<b>P1</b> 	<b>R</b> 
Lower horizontal (Out left) - 1pc	Lower horizontal (In left) - 1pc	Above & bottom shelves (Left)-2pcs

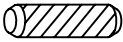
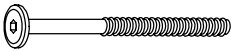
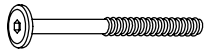
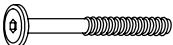




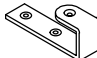
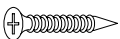
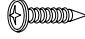




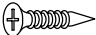
# Part List

<b>S</b> 	<b>U</b> 	<b>U1</b> 
Lower horizontal (Right)- 2pcs	Upper shelf -1pc	Center side panel - 1pc
<b>U2</b> 	<b>U3</b> 	<b>V</b> 
Bottom shelf - 1pc	Bottom Panel - 1pc	Bottom horizontal bar - 1pc
<b>Y</b> 		
Back panel - 1pc		

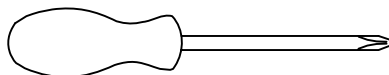
**WF190839**

<b>Q</b> 	<b>T1</b> 	<b>T</b> 
Lower frame (left back) -1pc	Lower frame (Right back) -1pc	Lower frame (Right front) -1pc
<b>W</b> 		
Lower Cabinet drawer - 1pcs		

# Hardware List

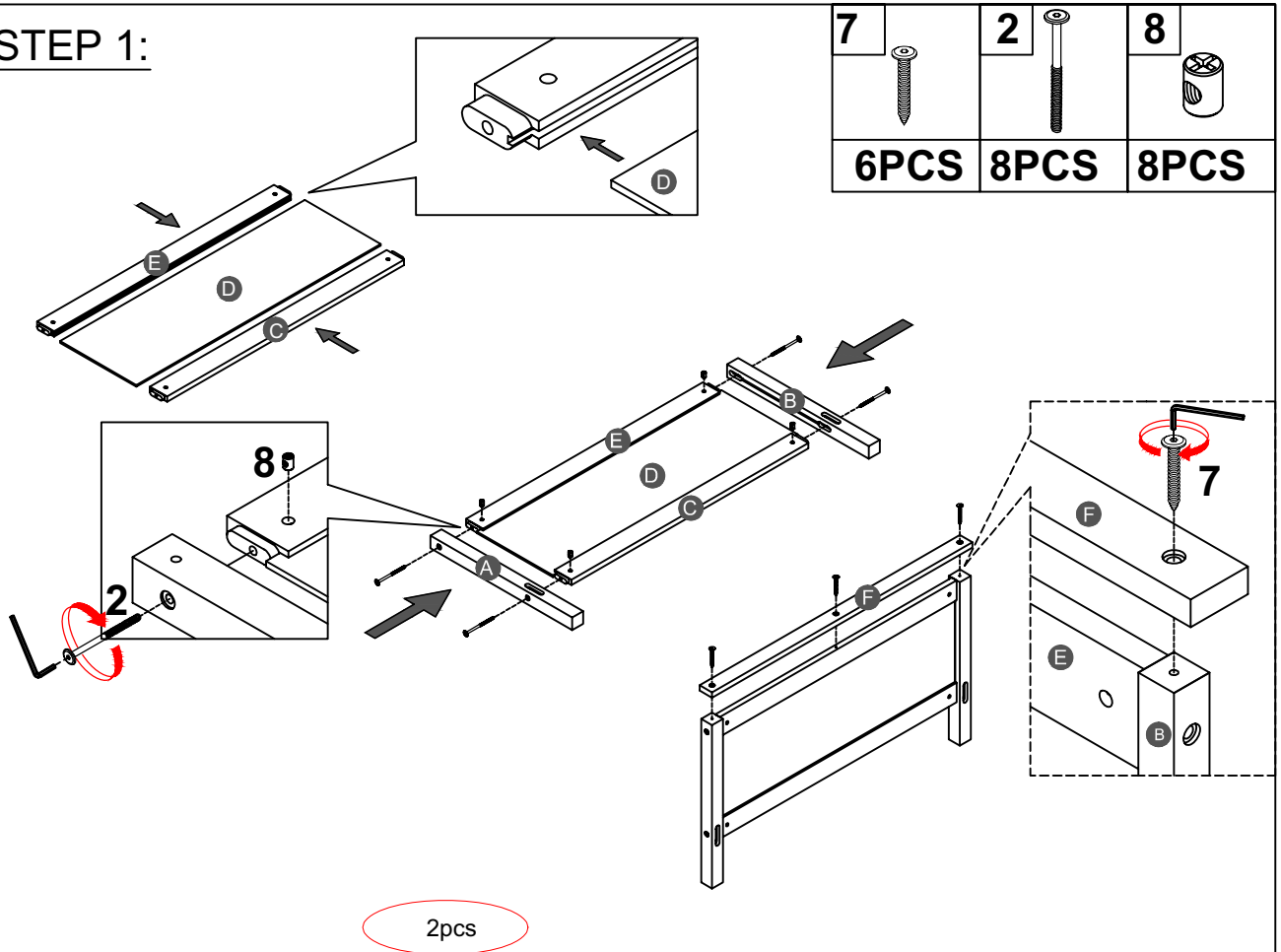
<b>1</b>  Ø8*30mm Wood dowel (8pcs)	<b>2</b>  (Ø15)1/4"*100mm Hex-Head bolts (38pcs)	<b>3</b>  (Ø15)1/4"*80mm Hex-Head bolts (2pcs)
<b>4</b>  (Ø12)1/4"*60mm Hex-Head bolts (20pcs)	<b>5</b>  (Ø12)1/4"*35mm Hex-Head bolts (2pcs)	<b>6</b>  (Ø12)1/4"*30mm Hex-Head bolts (18pcs)
<b>7</b>  (Ø12)1/4"*40mm Hex-Head bolts (30pcs)	<b>8</b>  1/4"*15 (9.5mm) Horizontal-Hole bolts(60pcs)	<b>9</b>  81*26*21 (2.5mm) Hooks (2pcs)
<b>10</b>  Ø4*30mm Wood screws (24pcs)	<b>11</b>  Ø3.5*15mm Wood screws (18pcs)	<b>12</b>  90*17*2mm Foam stick (2pcs)
<b>13</b>  24*28*28*2mm Pat Metal (4pc)	<b>14</b>  (1/4")4.5*58mm Allen key (1pc)	<b>15</b>  50*24*24*2mm Pat Metal (1pc)
<b>16</b>  Ø4*19mm Wood screws (6pcs)		

## ASSEMBLY TOOLS REQUIRED ( NOT INCLUDED )

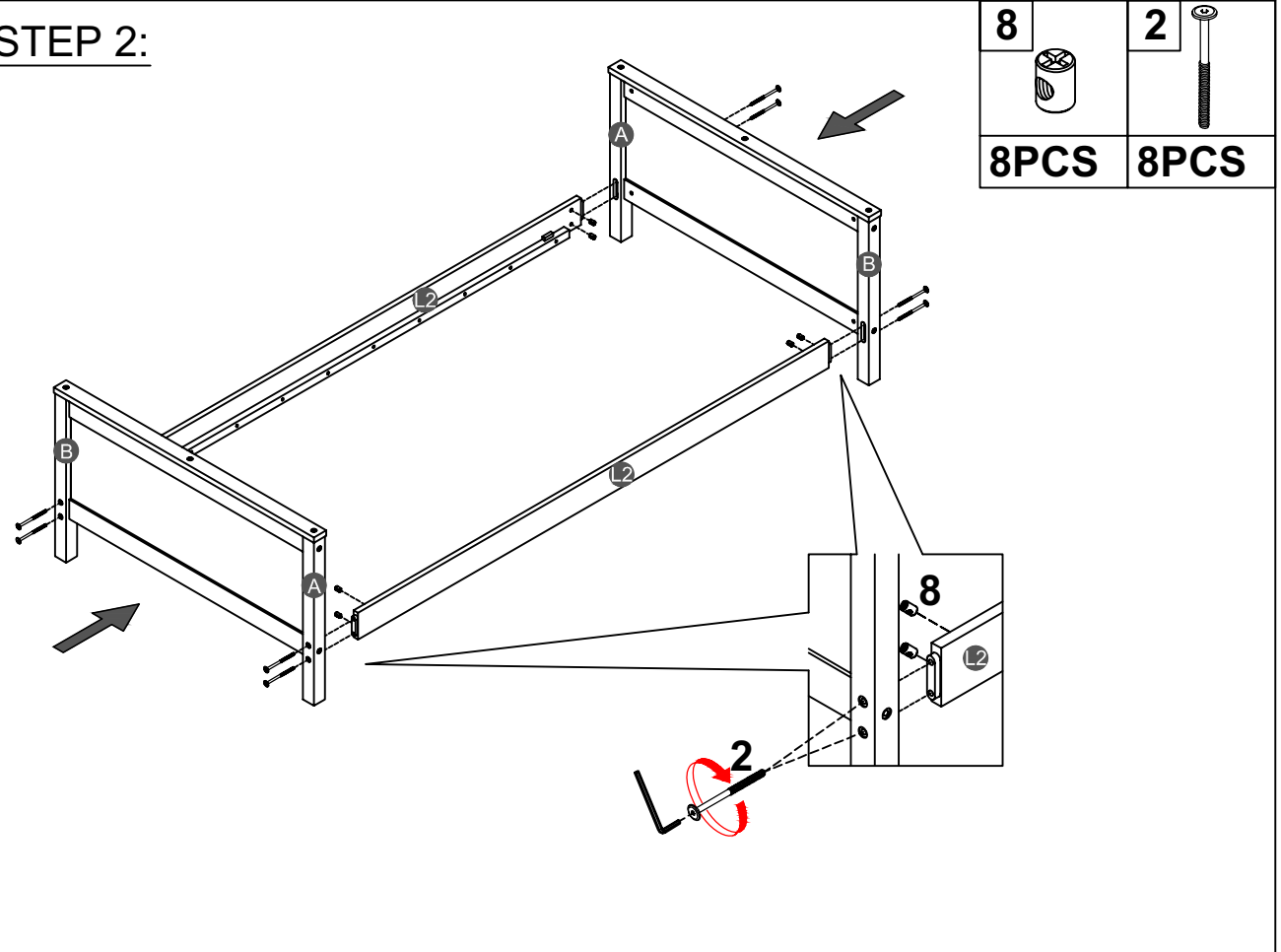


PLEASE BE CAREFUL DO NOT DAMAGE THE HOLE POSITION WHEN YOU USE POWER TOOLS !

**STEP 1:**



**STEP 2:**

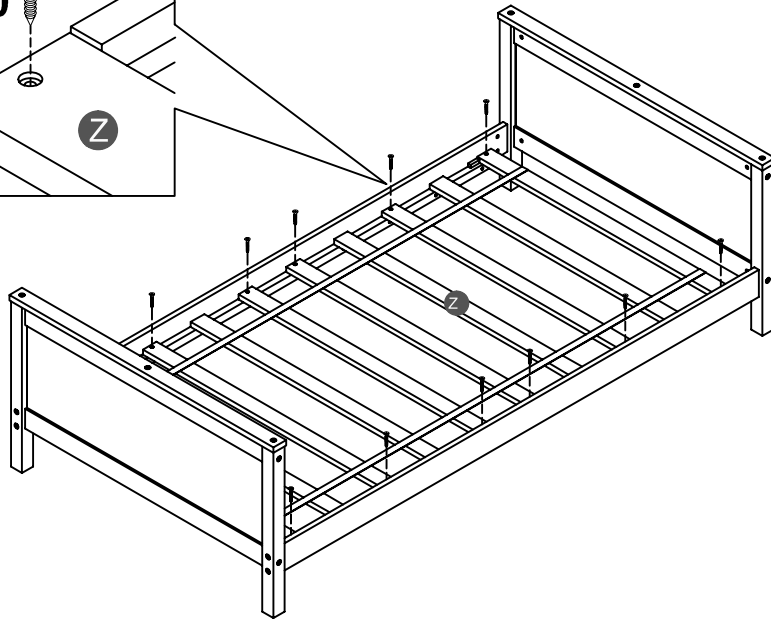
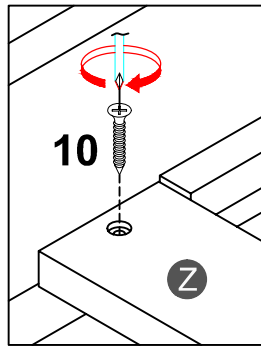


**STEP 3:**

**10**



**12PCS**



**STEP 4:**

**7**



**3PCS**

**2**

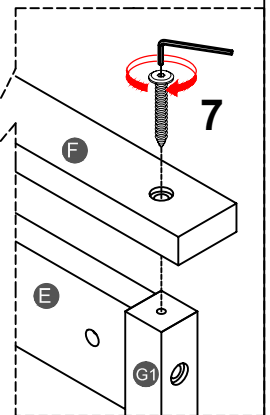
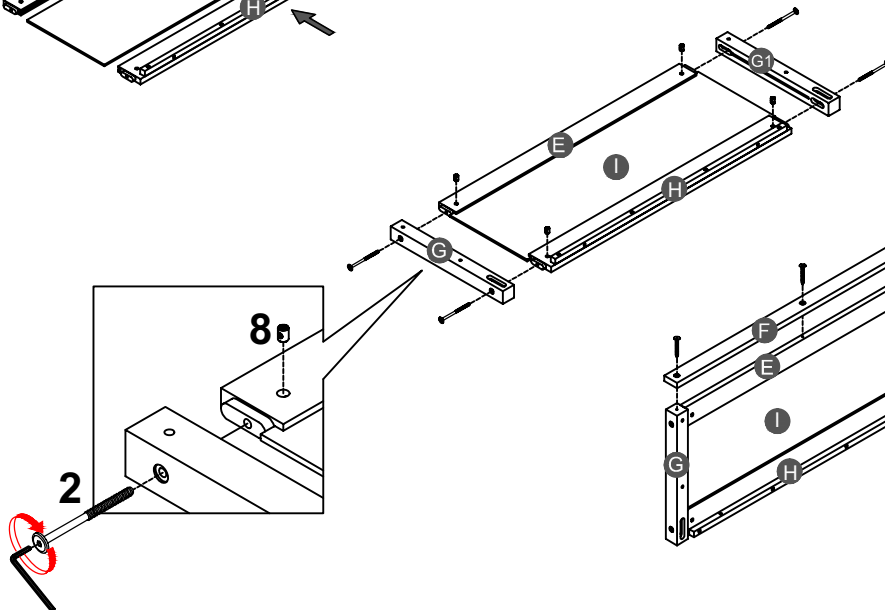
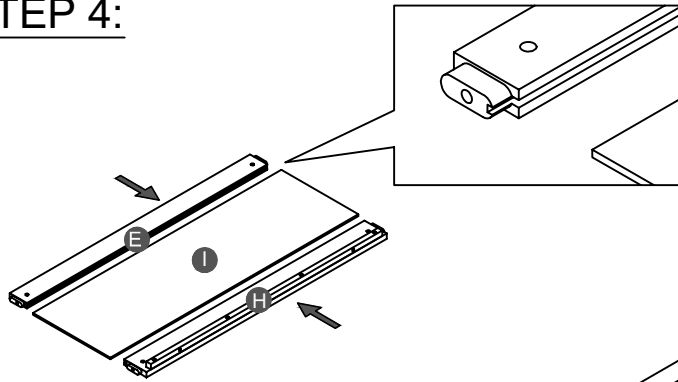


**4PCS**

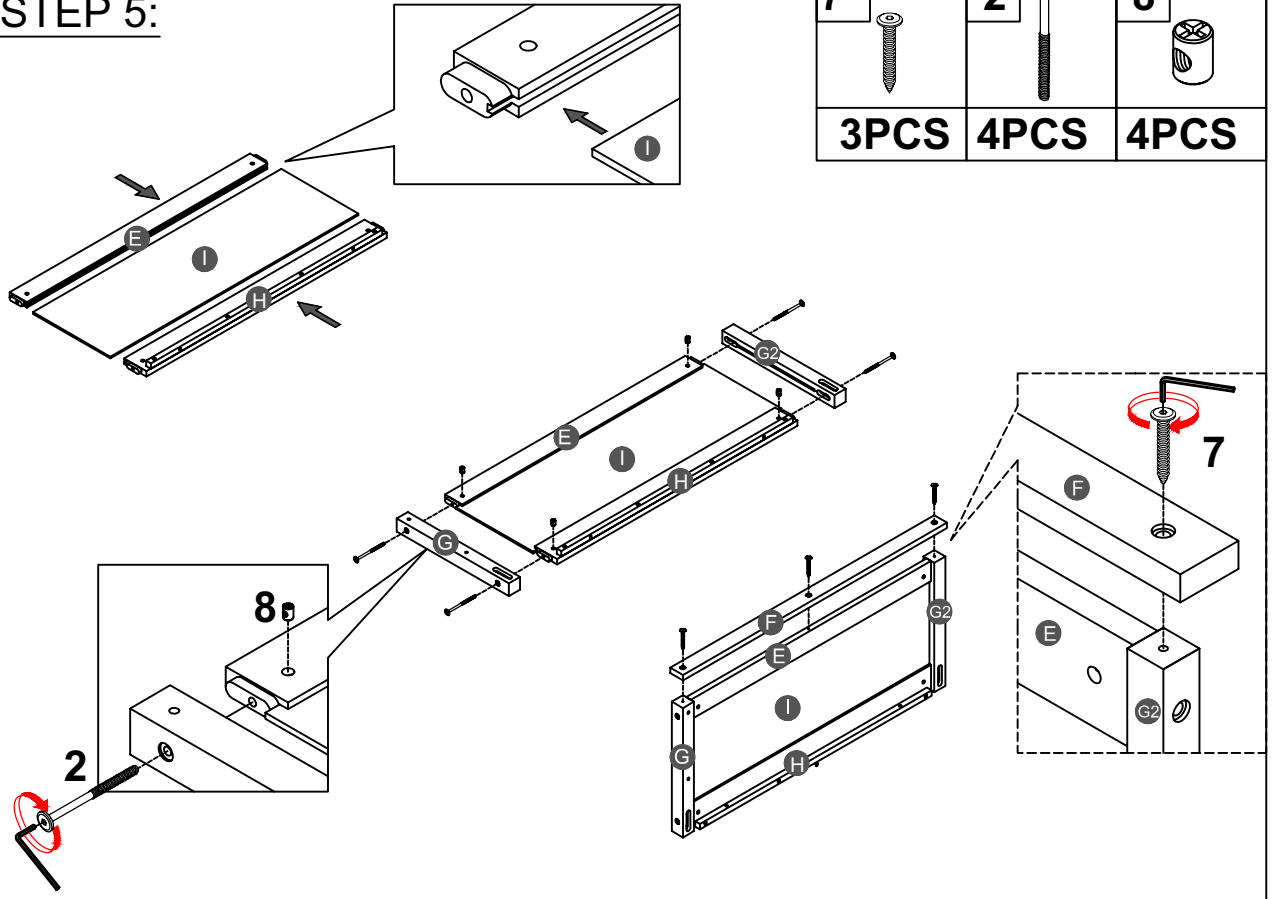
**8**



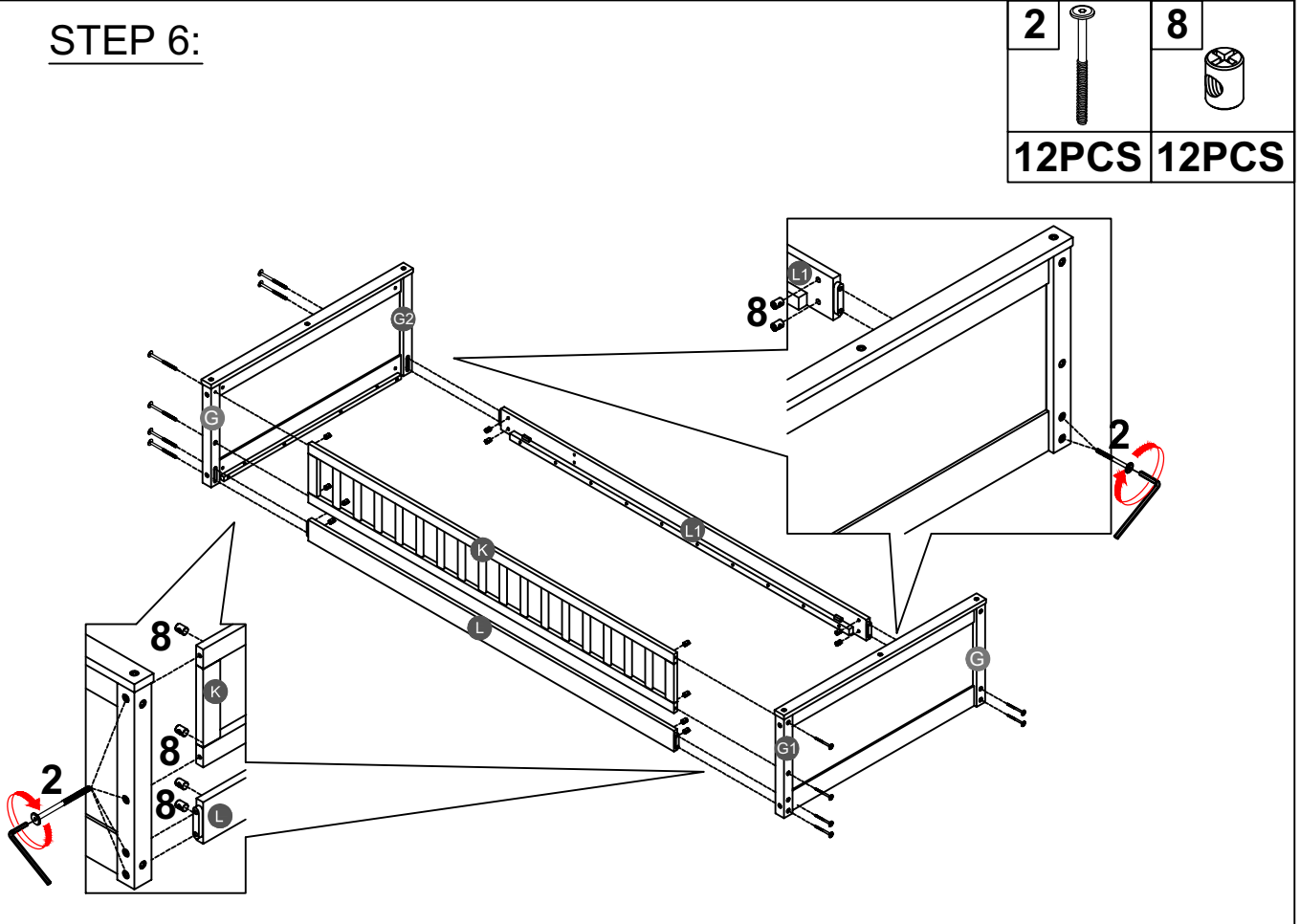
**4PCS**



**STEP 5:**







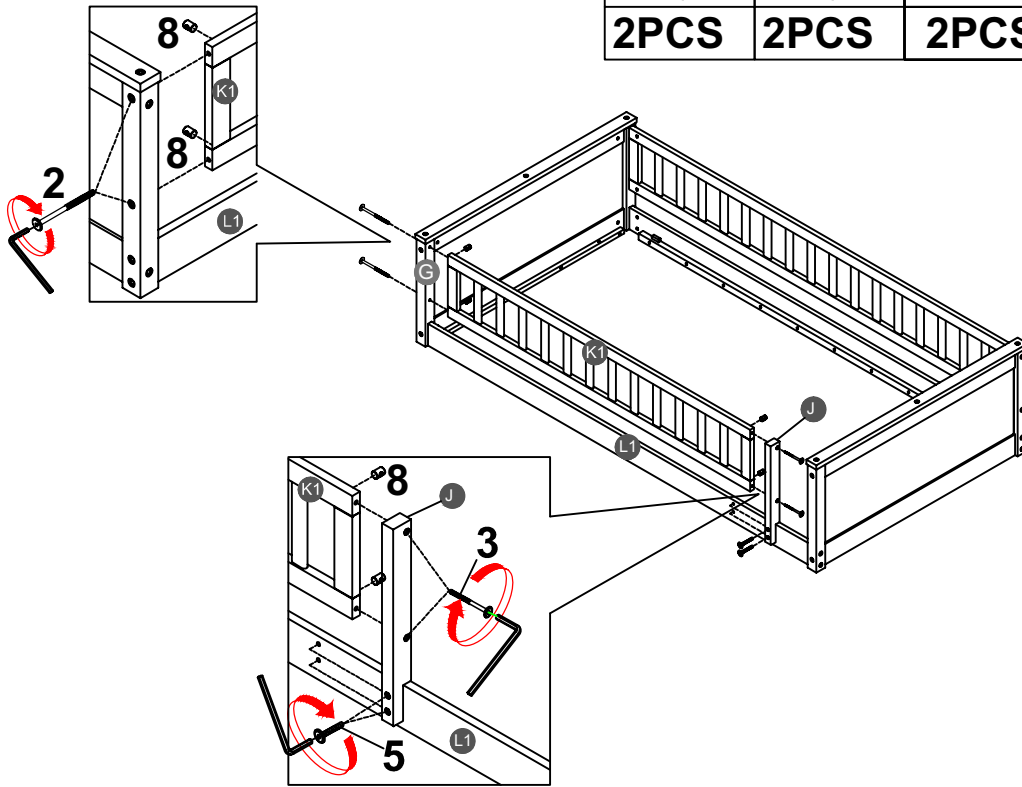
**STEP 6:**









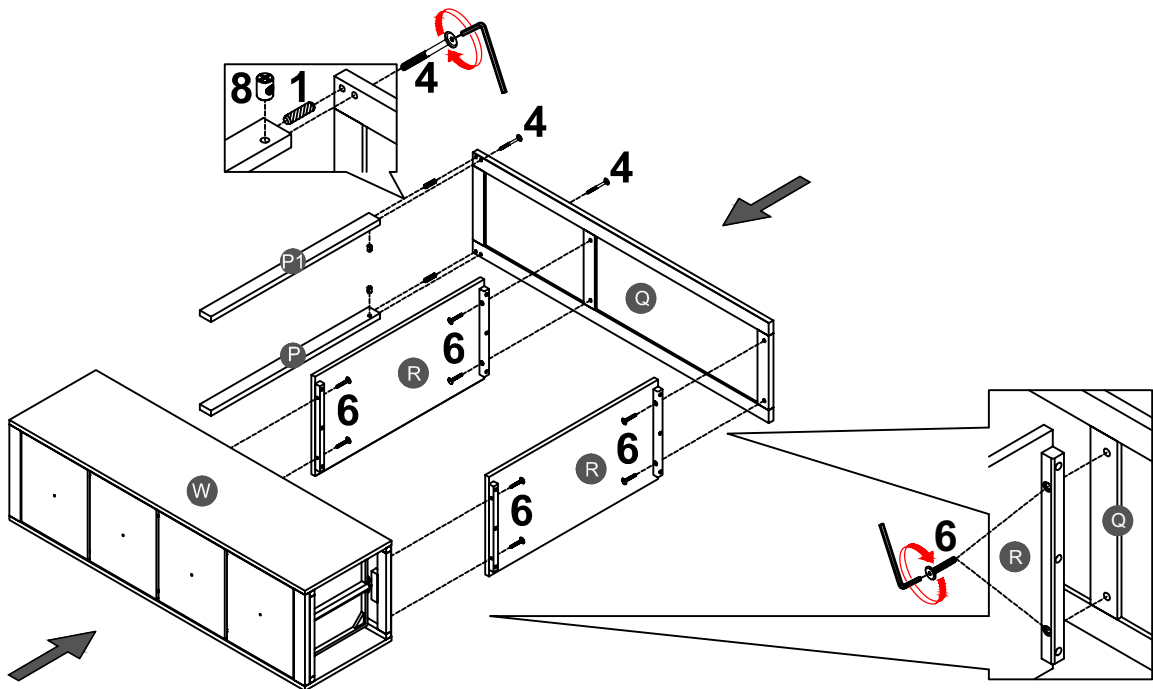
**STEP 7:**

2		3		5		8	
2PCS		2PCS		2PCS		4PCS	

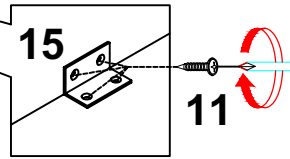
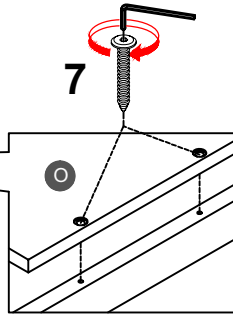
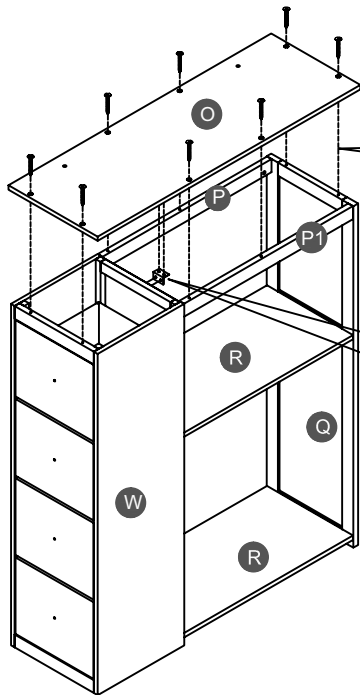





**STEP 8:**

1		4		8		6	
2PCS		2PCS		2PCS		8PCS	

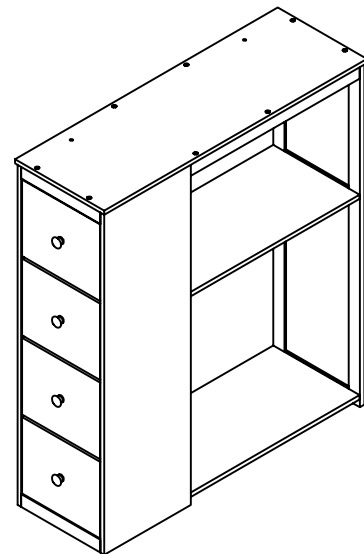
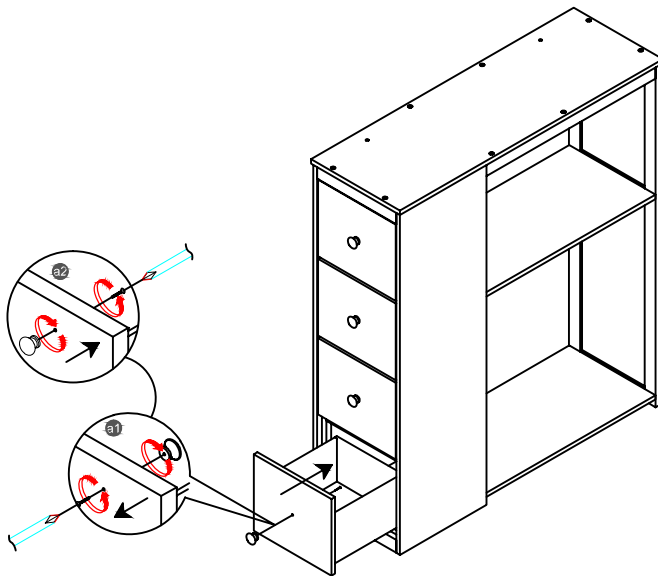


**STEP 9:**








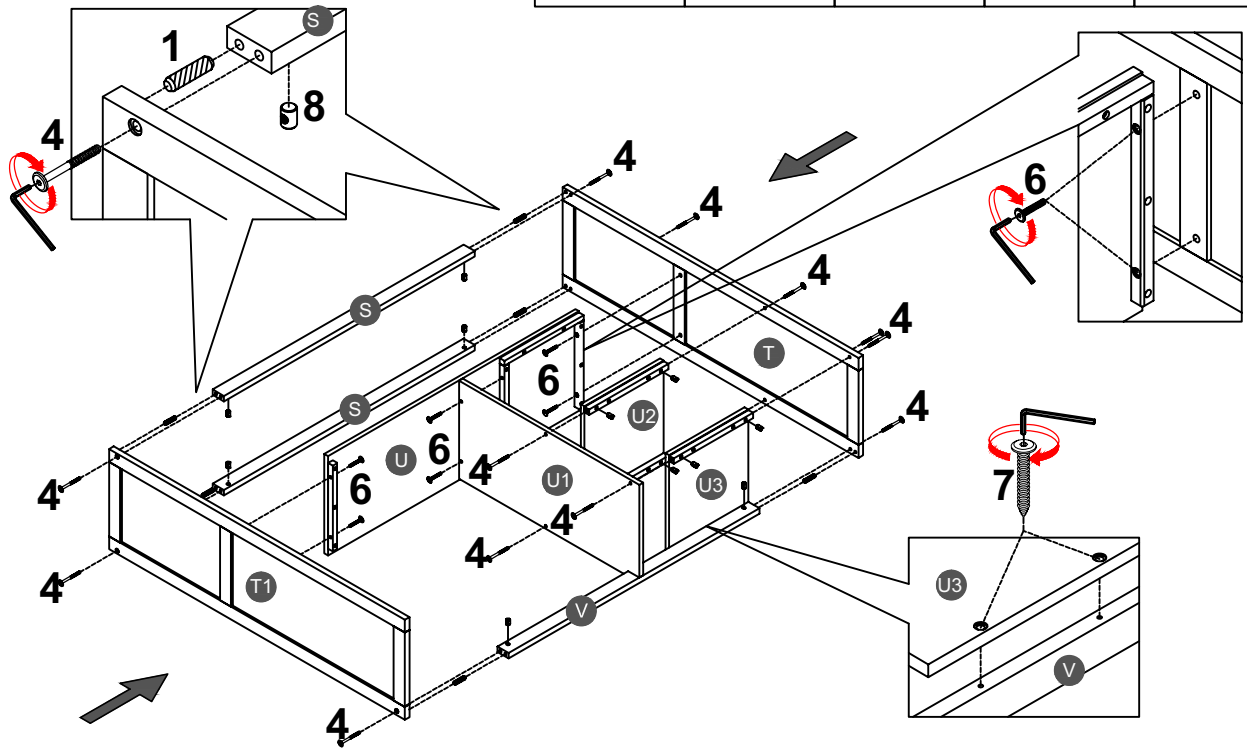
11		7	
4PCS		8PCS	
		15	
		1PCS	

**STEP 10:**





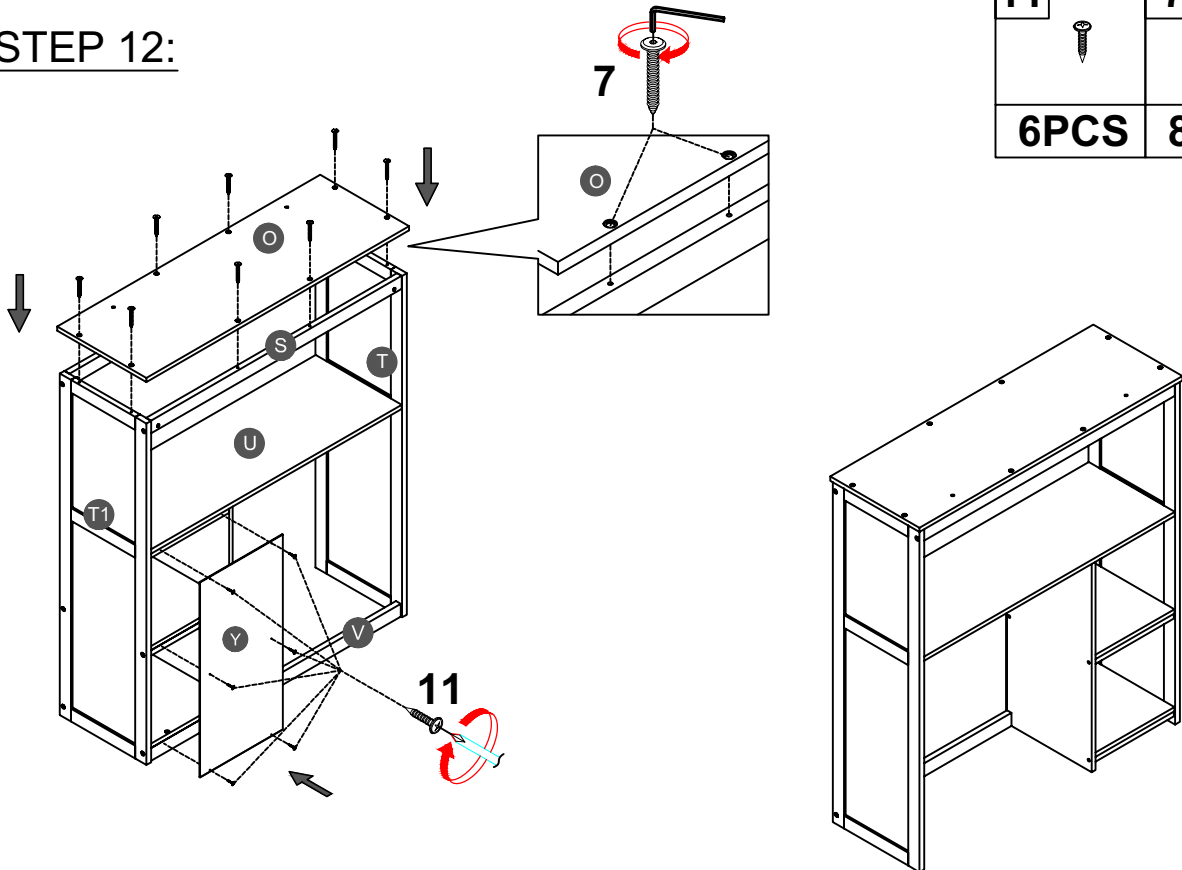
**STEP 11:**

1	4	6	7	8
				
<b>6PCS</b>	<b>12PCS</b>	<b>6PCS</b>	<b>2PCS</b>	<b>12PCS</b>

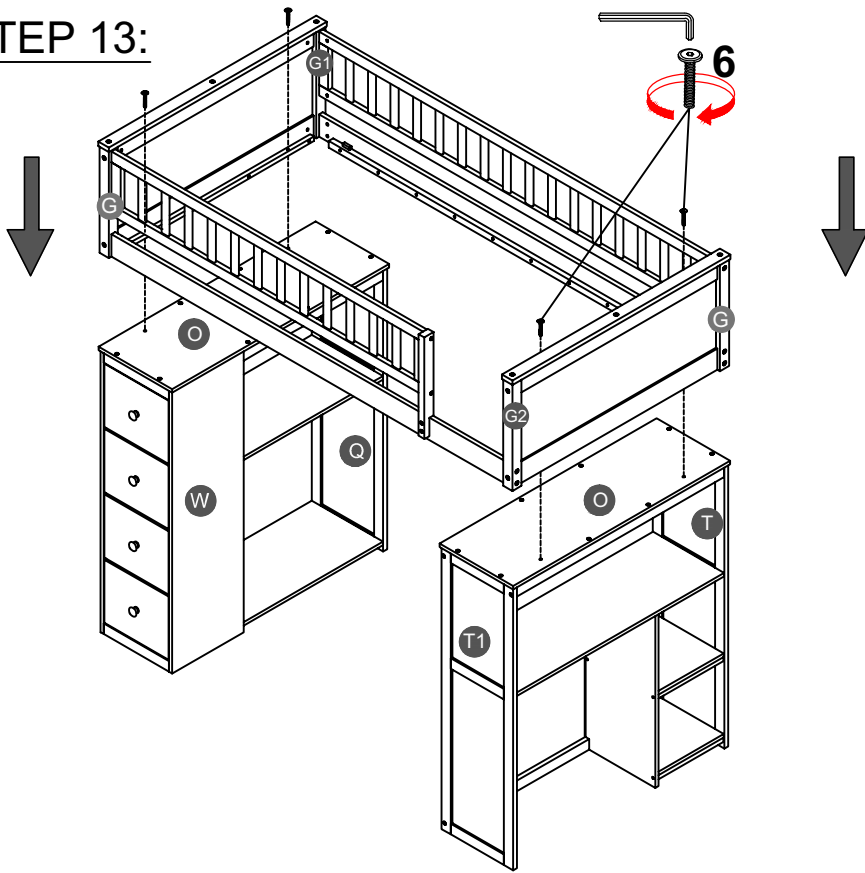



**STEP 12:**

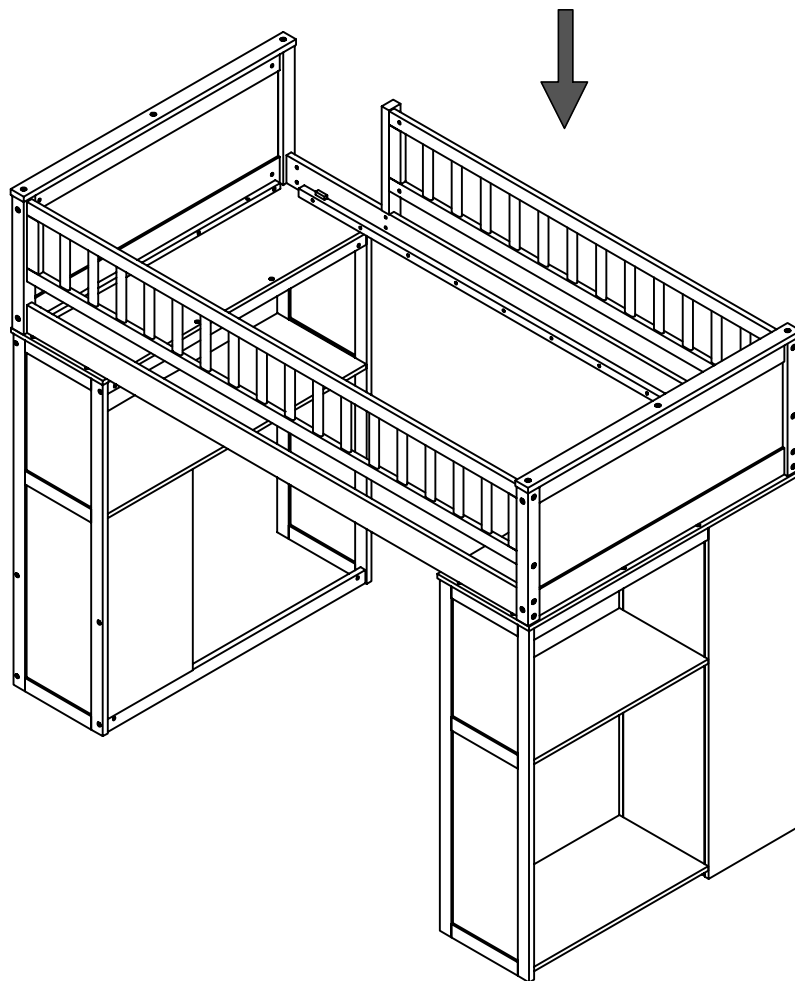
11	7
	
<b>6PCS</b>	<b>8PCS</b>





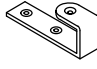

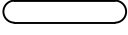
**STEP 13:**

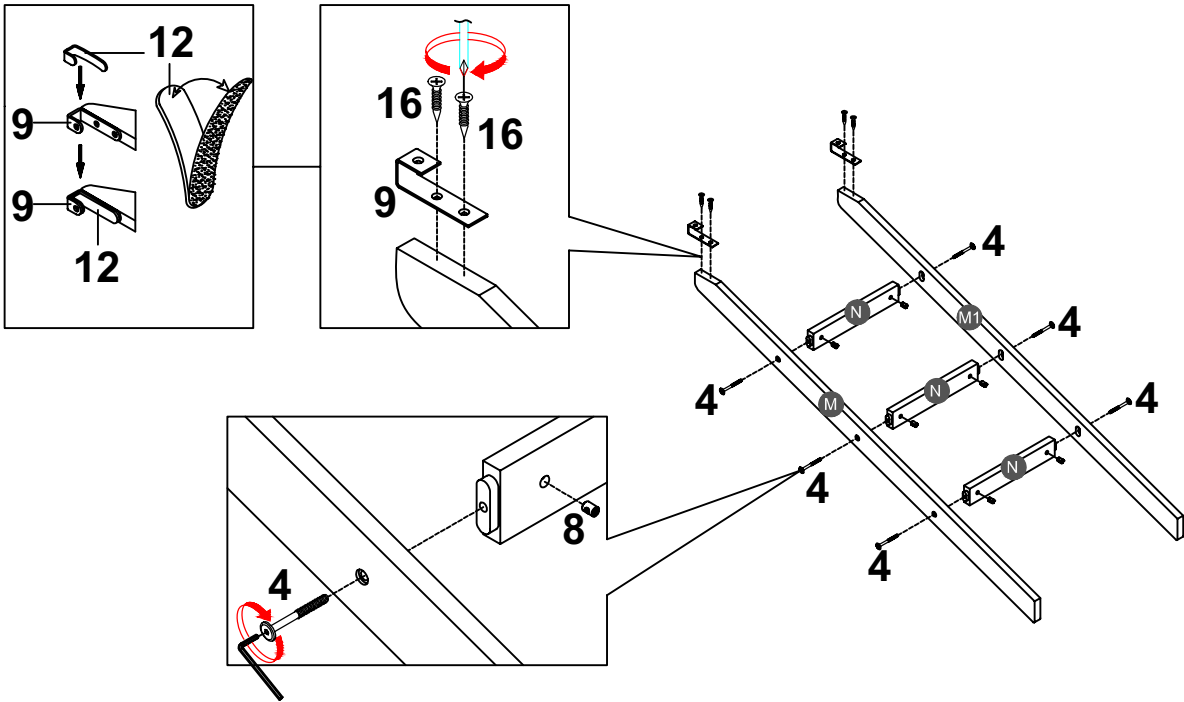


6	
4PCS	




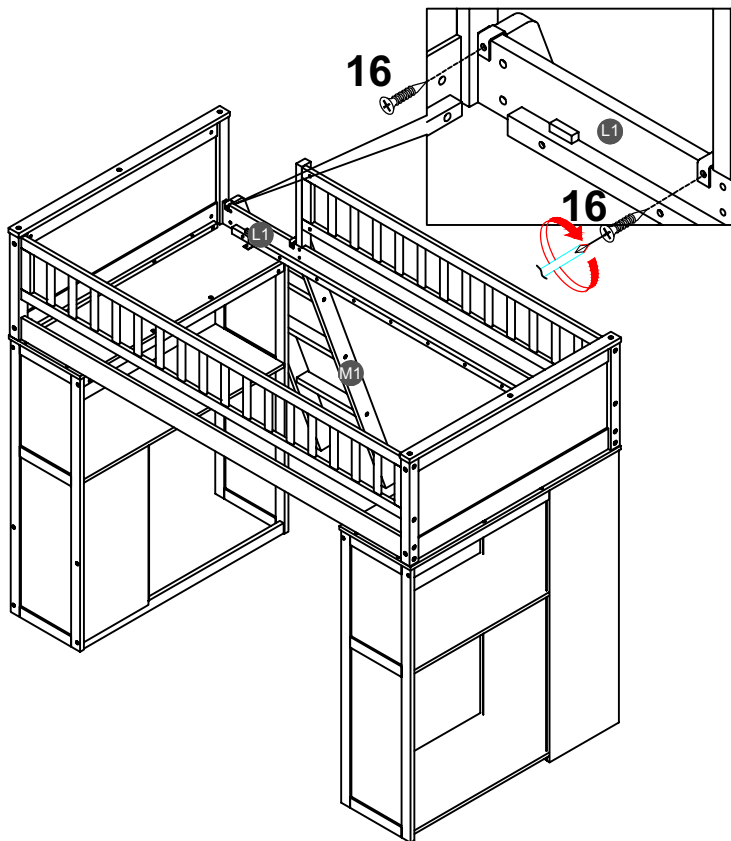
**STEP 14:**

<b>4</b>		<b>8</b>		<b>9</b>		<b>16</b>	
<b>6PCS</b>		<b>6PCS</b>		<b>2PCS</b>		<b>4PCS</b>	
						<b>12</b>	
						<b>2PCS</b>	

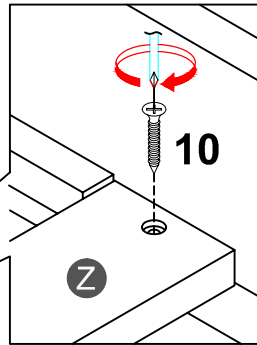
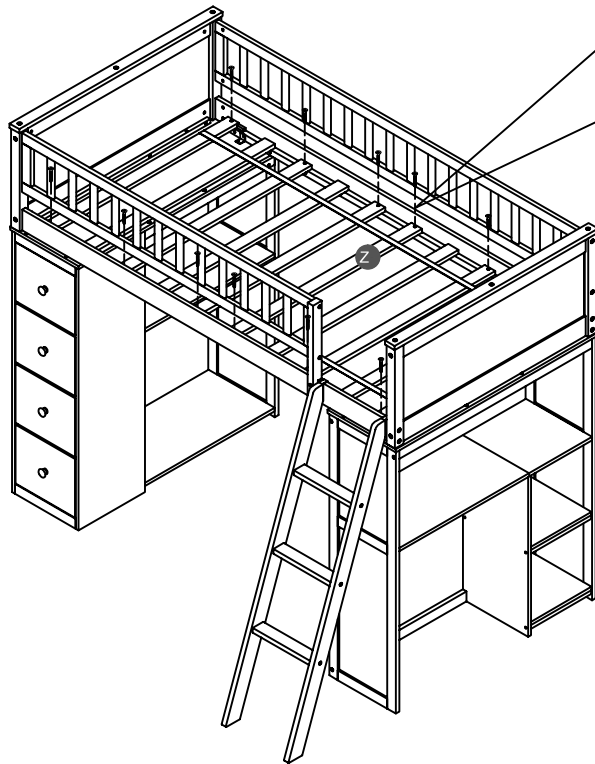



**STEP 15:**

<b>16</b>	
<b>2PCS</b>	

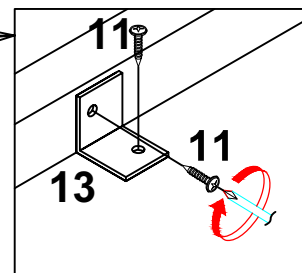
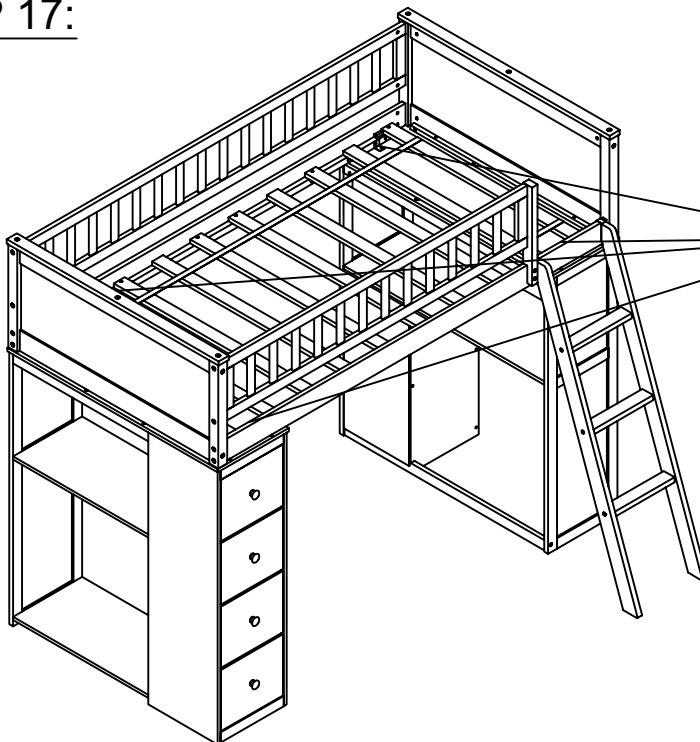




**STEP 16:**



<b>10</b>	
<b>12PCS</b>	

**STEP 17:**



<b>11</b>		<b>13</b>	
<b>8PCS</b>		<b>4PCS</b>	

STEP 18:

