

# DW80M2020US

SAMSUNG

## Samsung Dishwasher



### Signature Features

#### Stainless Steel Interior Door

- The interior door is covered with stainless steel that's more durable, hygienic, and quieter.\*

#### Height-Adjustable Upper Rack

- Easily fit dish ware of various shapes and sizes.

#### Digital Water Leakage Sensor

- Identifies leaks as small as 2.7 ounces and shuts itself off before water can escape.

\*Than competitors models.

### Available Color



Stainless Steel



Stainless Steel Interior Door



Height-Adjustable Upper Rack

### Features

- Indicator Light
- Advanced Wash System
- ENERGY STAR® rated: 265 kWh/Year
- Touch Control
- 4 Wash Cycles
- 4 Options
- 14 Place Settings

### Convenience

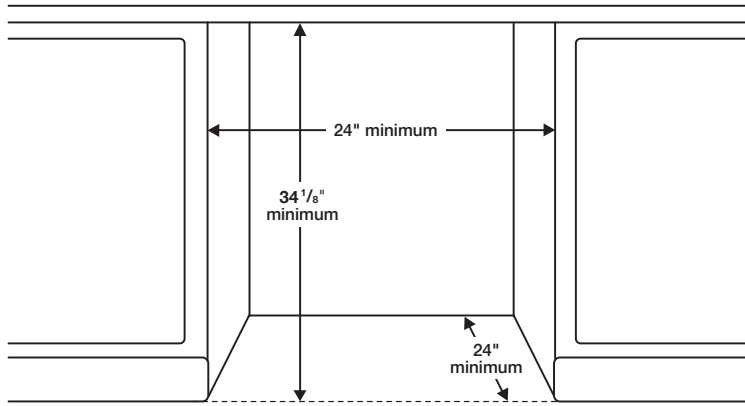
- Child Lock
- Delay Start

# DW80M2020US

# SAMSUNG

## Samsung Dishwasher

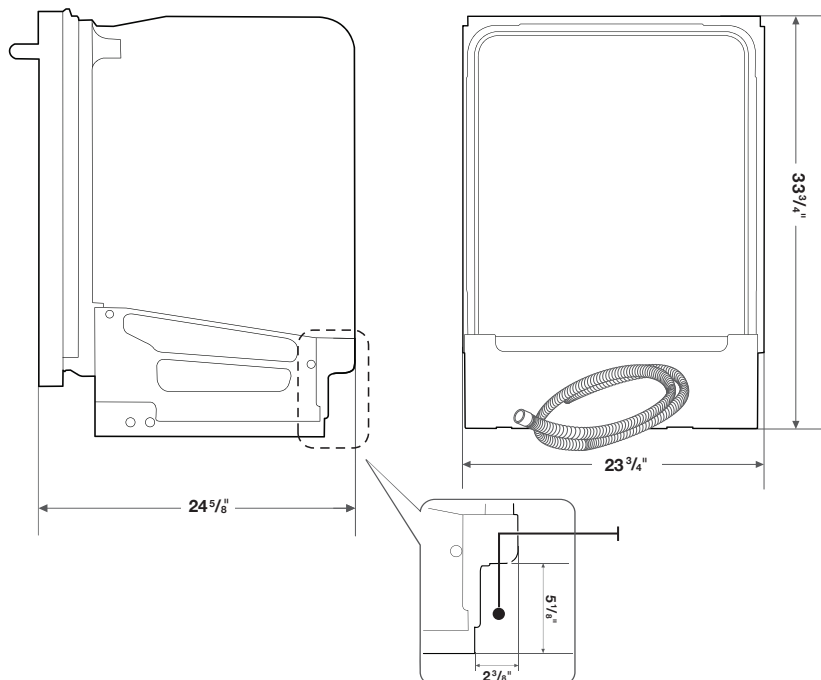
### Installation Specifications



### Dimensions

Side View

Rear View



### Features

- 4 Wash Cycles: Auto, Normal, Heavy, Express 60
- 4 Options: Hi-Temp Wash, Sanitize (Anti-bacterial – NSF), Delay Start, Control Lock

### Convenience

- Child Lock
- Digital Water Leakage Sensor
- Height-Adjustable Upper Rack
- Nylon Racking
- Upper Rack: 2 Cup Shelves
- Silverware Basket

### Warranty

One (1) Year All Parts and Labor

Five (5) Year Limited on Printed Circuit Board and Interior Nylon Racks

Lifetime Limited Warranty on Stainless Steel Door Liner and Tub for Leakage

### Product Dimensions & Weight (WxHxD)

Dimensions:

23<sup>3</sup>/<sub>4</sub>" x 33<sup>3</sup>/<sub>4</sub>" x 24<sup>5</sup>/<sub>8</sub>"

Weight: 62.9 lbs.

### Shipping Dimensions & Weight (WxHxD)

Dimensions:

26<sup>5</sup>/<sub>16</sub>" x 35<sup>1</sup>/<sub>16</sub>" x 29<sup>1</sup>/<sub>2</sub>"

Weight: 78.3 lbs.

### Color

Stainless Steel

### Model #

DW80M2020US

### UPC Code

887276196381