

# 1300, 1305, 1315, 1375 3/4 Extension Drawer Slides

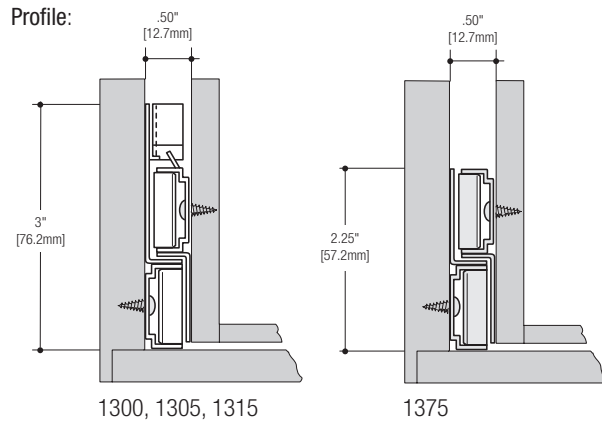


## Features

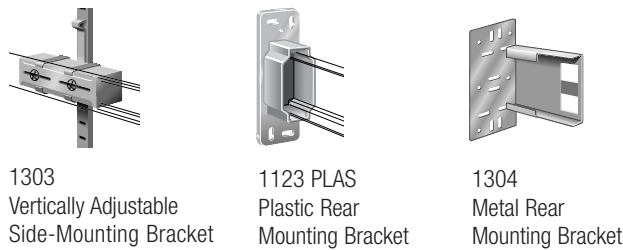
- Positive stop lever
- Stay close design
- Recommended maximum drawer width 18"

1300: 3/4 extension slide  
 1305: 3/4 extension slide  
 1315: 3/4 extension V-notch wraparound drawer slide  
 1375: 3/4 extension self-closing V-notch wraparound slide

**Mounting:** Side  
**Action:** Ball-bearing rollers  
**Load Rating:** 1300, 1315, 1375: 75 lb. class  
 1305: 100 lb. class  
**Height:** 1300, 1305, 1315: 3" [76.2mm]  
 1375: 2.25" [57.2mm]  
**Clearance:** .50" + .03" - 0" on each side  
**Finish:** Almond (ALM), White (WH), Zinc (ZC)



## Mounting Brackets



Product	Pack
1303	100 per carton
1123 PLAS	500 per carton
1304	100 per carton

## Configurations

Bulk (B)	10 pairs per carton without screws	
Poly (P)	1 pair per bag with screws; 10 pairs per carton	
<b>1300 Almond (ALM) Finish</b>		
<b>Size</b>	<b>Bulk (B)</b>	<b>Poly (P)</b>
12"	1300B ALM 12	–
14"	1300B ALM 14	–
16"	1300B ALM 16	–
18"	1300B ALM 18	–
20"	1300B ALM 20	–
22"	1300B ALM 22	–
<b>1300 White (WH) Finish</b>		
14"	1300B WH 14	–
16"	1300B WH 16	–
18"	1300B WH 18	–
20"	1300B WH 20	–
22"	1300B WH 22	–
<b>1300 Zinc (ZC) Finish</b>		
12"	1300B ZC 12	1300P ZC 12
14"	1300B ZC 14	1300P ZC 14
16"	1300B ZC 16	1300P ZC 16
18"	1300B ZC 18	1300P ZC 18
20"	1300B ZC 20	1300P ZC 20
22"	1300B ZC 22	1300P ZC 22
24"	1300B ZC 24	1300P ZC 24
26"	1300B ZC 26	1300P ZC 26
28"	1300B ZC 28	1300P ZC 28
<b>1300 Combinations Zinc (ZC) Finish</b>		
<b>Size</b>	<b>Product</b>	
18 x 20"	1300BSW18002000	
20 x 22"	1300BSW20002200	
20 x 22-3/4"	1300BSW20002275	
<b>Special Order Slides Zinc (ZC) Finish</b>		
<b>Product</b>	<b>Bulk (B)</b>	
1305	Special Order	
1315	Special Order	
1375	Special Order	

Recommended Fasteners		KV Part	Finish	Qty
	#7 x 1/2" Phillips Pan Head	8500-93	Zinc (ZC)	1000
		8500-93 EB	Ebony Black (EB)	1000

☐ Non-stock item – minimum order quantities and additional lead time may apply.