



**To avoid the risk of fire, explosion, or electric shock, this product should be installed, inspected and maintained by a qualified electrician only, in accordance with all electrical codes.**

**To avoid electric shock:**

Be certain electrical power is OFF before and during installation and maintenance  
Luminaire must be connected to a wiring system with an equipment-grounding conductor.

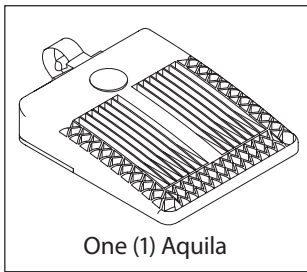
**To avoid explosion:**

Make sure the supply voltage is the same as the rated luminaire voltage  
Do not install where marked operating temperatures exceed the ignition temperature of the hazardous atmosphere  
Do not operate in ambient temperatures above those indicated on the luminaire nameplate

**Suitable for use in the following locations:**

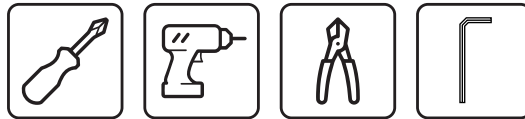
Ambient temp: -20° ~ +40°C (-4° - 104°F)  
Wet locations

## What's In The Box

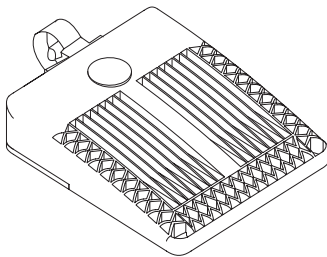


## Tools Needed

A screwdriver, drill, a pair of wire strippers, Allen Wrench/Hex Key and fasteners (hardware provided for pole mounting) appropriate for the mounting surface will be needed to install the Aquila.



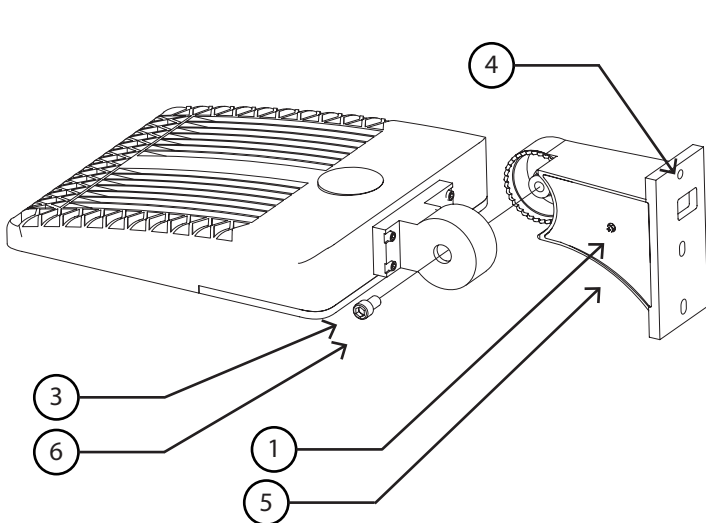
- 1 Carefully unpack fixture from packaging and inspect for any damage caused in shipping.



- 2 Turn off power at appropriate switch/breaker.

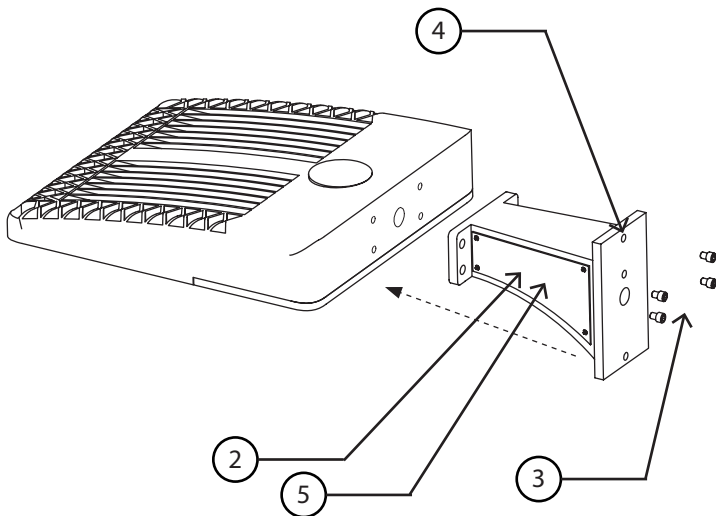
- 3 Locate desired positioning for the fixture on the mounting surface.

## Mounting with adjustable arm



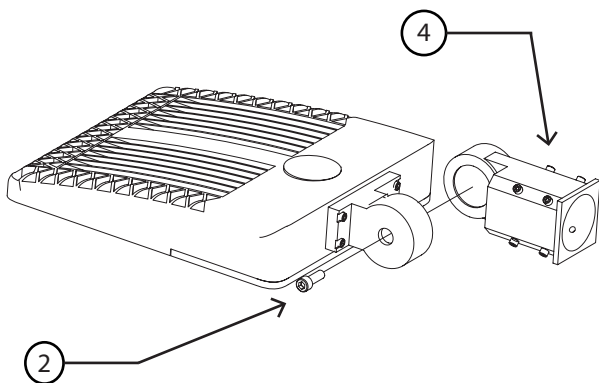
- 1 Open the wiring cover.
- 2 Feed the wires through arm sections into wiring compartment.
- 3 Assemble arm section with hex bolt.
- 4 Position mounting plate inside pole and attach fixture to pole, threading bolts into mounting plate.
- 5 Pull power supply wires into the wiring compartment and connect wires following wiring diagram, then close cover.
- 6 Adjust angle of fixture by loosening the bolt with a hex key (1/4" or 10mm) and move fixture (+90° to -90°) then tighten at desired angle.

## Mounting with straight arm



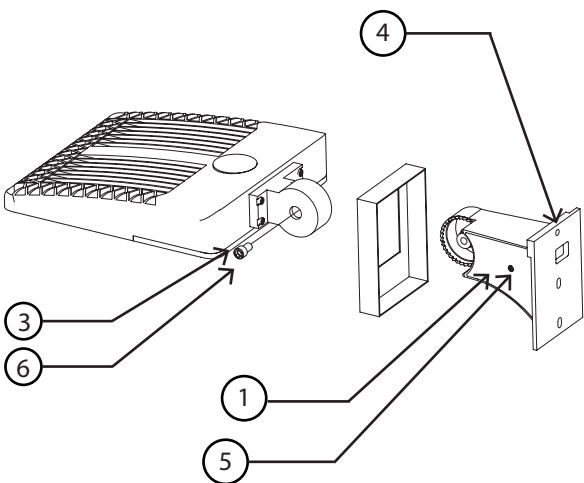
- ① Remove adjustable arm mount. Keep (4) four bolts
- ② Open the wiring cover, and feed the fixture wires through arm into wiring compartment.
- ③ Attach arm to fixture with (4) four bolts.
- ④ Position mounting plate inside pole and attach fixture to pole, threading bolts into mounting plate.
- ⑤ Pull power supply wires into the wiring compartment and connect wires following wiring diagram, then close cover.

## Mounting with slipfitter



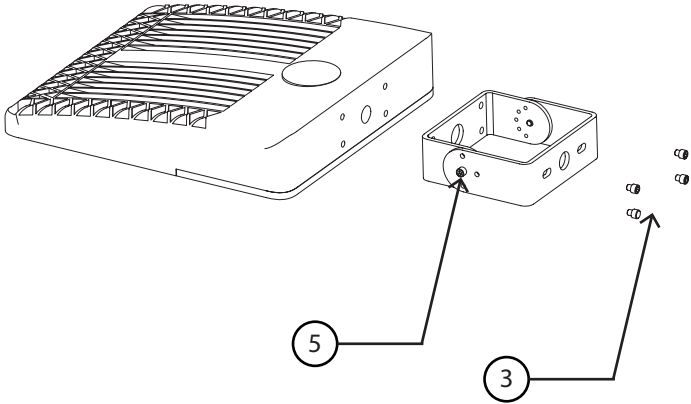
- ① Feed the wires through arm section.
- ② Assemble arm section with a hex key ( $\frac{1}{4}$ " or 10mm) and move fixture (+90° to -90°) then tighten at desired angle.
- ③ Pull power supply wires and connect wires following wiring diagram.
- ④ Position fixture on the tenon and tighten all (6) six screws evenly on the side of the arm.

## Mounting with wall mount bracket



- ① Open the wiring cover.
- ② Feed the wires through arm sections into wiring compartment.
- ③ Reassemble arm sections with hex bolt.
- ④ Position fixture on the wall and mount using hardware appropriate for the surface.
- ⑤ Pull power supply wires into the wiring compartment and connect wires following wiring diagram, then close cover and attach wall cover into place.
- ⑥ Adjust angle of fixture by loosening the bolt with a hex key ( $\frac{1}{4}$ " or 10mm) and move fixture (+90° to -90°) then tighten at desired angle.

## Mounting with trunnion



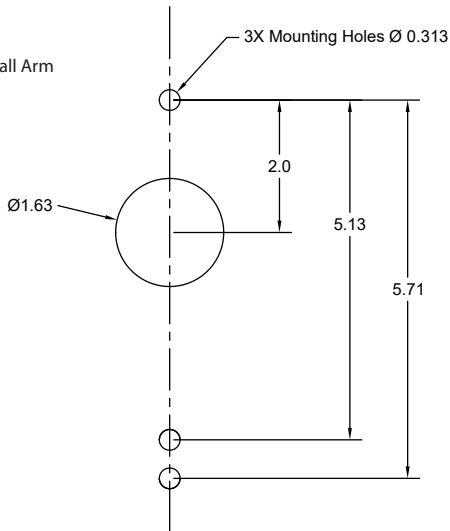
- 1 Remove adjustable arm mount. Keep (4) four bolts
- 2 Feed the fixture wires through the holes for wiring.
- 3 Attach arm to fixture with (4) four bolts.
- 4 Position fixture on the wall and mount using hardware appropriate for the surface.
- 5 Adjust angle of fixture by loosening the bolt with a hex key and then tighten at desired angle.
- 6 Pull power supply wires and connect wires following wiring diagram.

4 Check that fixture is firmly attached to mounting surface.

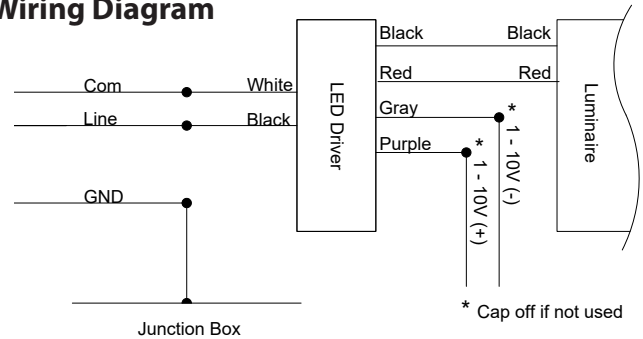
5 Turn power on (or energize fixture) and verify that fixture is lit.

### Drill Pattern

5.13" for Straight Arm  
5.71" for Adjustable & Wall Arm

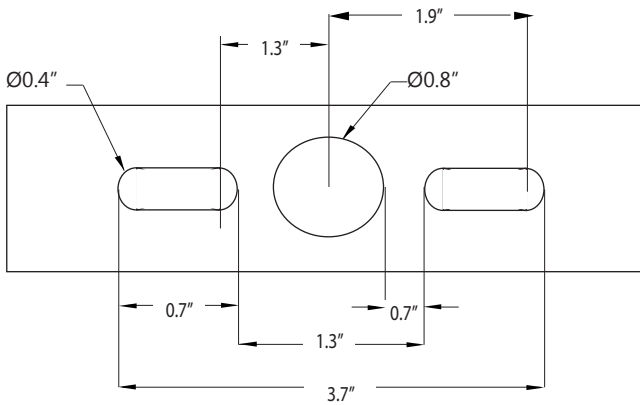


### Wiring Diagram



### Drill Pattern

Trunnion



#### EXPRESS LIMITED WARRANTY

Subject to the exclusions below, each NICOR LED product, including the LED electronics and components of a property installed NICOR LED product, will be free from defect in materials and workmanship for a period of five (5) years from the original date of purchase. The product shall be considered defective only if 10% or more of the product's LED components fail. NICOR LED product warranty covers the following performance criteria: LED Light Output will be maintained above 70% of initial output; LED color temperature will not shift more than 200K in CCT; LED driver will operate within NICOR specifications; and the fixture finish, excluding natural aluminum or brass products, will not exhibit cracking, peeling, excessive fading, or corrosion during the warranty period. Exceptions apply as defined in NICOR's product specification sheets, which are incorporated by reference herein.

This limited warranty is provided to you, the purchaser of the product identified on Seller's invoice, as your exclusive remedy and applies only to NICOR products that have been purchased from an authorized NICOR Distributor; the product was new and in an unopened NICOR package at the time of installation; and the NICOR product was installed by a licensed electrician or under the supervision of a licensed electrician and used by consumers in the United States or Canada when accompanied with this warranty. This warranty extends only to the first consumer purchaser and is not transferable. A consumer wishing to invoke the terms of this limited warranty must first obtain a RGA number within 30 days of discovery of the defect, and return the product to NICOR for inspection. Once verified to be covered by this limited warranty, NICOR will, at its sole discretion, repair, replace, or refund the purchase price of any product that does not conform to this limited warranty. If NICOR, at its sole discretion, determines that the product should be repaired or replaced, this warranty is limited to the reasonable, customary, and necessary costs and expenses associated with the repair/replacement. This warranty requires that all repair/replacement estimates and costs, including but not limited to equipment rental (if any), and any other cost or expense to be incurred in the repair/replacement of the product, be approved in advance and in writing by NICOR

FAILURE TO OBTAIN NICOR'S ADVANCE WRITTEN APPROVAL OF ALL REPAIR/REPLACEMENT COSTS AND EXPENSES IN WRITING SHALL VOID THIS LIMITED WARRANTY.

#### THIS LIMITED WARRANTY DOES NOT COVER THE FOLLOWING:

- Defects or damages resulting from improper installation, operation, storage, misuse or abuse, accident, or neglect;
- Defects or damages resulting from improper service, testing, adjustment, installation, maintenance, alteration, connection to out-of-specification electrical service, corrosive or damp environments, or connection to incompatible equipment or devices (e.g., connecting non-dimmable lighting products to dimmers);
- Damage which occurs in transit;
- Power surges or overheating due to external conditions
- Acts of nature including but not limited to lightning strikes

ANY IMPLIED WARRANTIES, INCLUDING WITHOUT LIMITATION, THE IMPLIED WARRANTIES OF MERCHANTABILITY AND FITNESS FOR A PARTICULAR PURPOSE SHALL BE LIMITED TO THE DURATION OF THIS LIMITED WARRANTY, OTHERWISE THE REPAIR, REPLACEMENT, OR REFUND AS PROVIDED UNDER THIS EXPRESS LIMITED WARRANTY IS THE EXCLUSIVE REMEDY OF THE CONSUMER, AND IS PROVIDED IN LIEU OF ALL OTHER WARRANTIES, EXPRESS OR IMPLIED. IN NO EVENT SHALL NICOR BE LIABLE, WHETHER IN CONTRACT OR IN TORT (INCLUDING NEGLIGENCE) FOR DAMAGES IN EXCESS OF THE PURCHASE PRICE OF THE PRODUCT, OR FOR ANY INDIRECT, INCIDENTAL, SPECIAL OR CONSEQUENTIAL DAMAGES OF ANY KIND, OR LOSS OF REVENUE OR PROFITS, LOSS OF BUSINESS OR OTHER FINANCIAL LOSS ARISING OUT OF OR IN CONNECTION WITH THE ABILITY OR INABILITY TO USE THE PRODUCT TO THE FULL EXTENT THESE DAMAGES MAY BE DISCLAIMED BY LAW.

Copyright 2014, NICOR, Inc.  
Revised October 2017

This device complies with part 15 of the FCC Rules. Operation is subject to the following two conditions: (1) This device may not cause harmful interference, and (2) this device must accept any interference received, including interference that may cause undesired operation.

NOTE: This equipment has been tested and found to comply with the limits for a Class A digital device, pursuant to part 15 of the FCC Rules. These limits are designed to provide reasonable protection against harmful interference when the equipment is operated in a commercial environment. This equipment generates, uses, and can radiate radio frequency energy and, if not installed and used in accordance with the instruction manual, may cause harmful interference to radio communications. Operation of this equipment in a residential area is likely to cause harmful interference in which case the user will be required to correct the interference at his own expense.

# Thank You

For Your Purchase!

## WE WOULD LIKE TO HEAR FROM YOU



WRITE A REVIEW



Scan QR Code or Visit  
[nicorlighting.com/support/survey](http://nicorlighting.com/support/survey)



# NICOR®

