

# Swing Head (LED)

HD503\_LEDJSJ 1.2

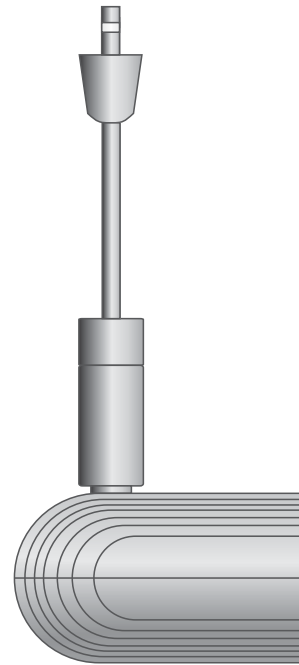


## GENERAL PRODUCT INFORMATION:

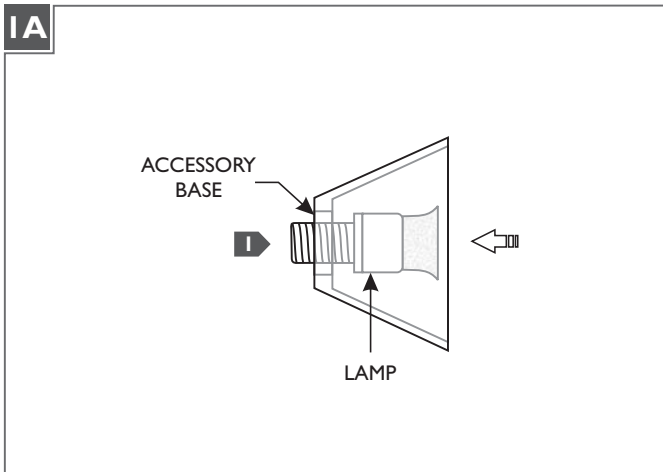
This product is suitable for indoor dry locations only.



**CAUTION - RISK OF FIRE**  
 This product must be installed in accordance with the applicable installation code by a person familiar with the construction and operation of the product and the hazards involved.  
 Use minimum 90°C supply conductors.

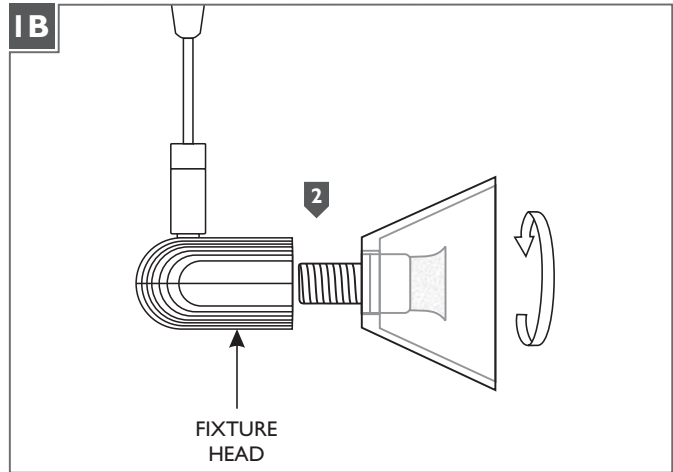


## Replacing the Lamp



**CAUTION:** To reduce the risk of a burn or electric shock during relamping, disconnect the power to the fixture.

**1** Push the lamp into the accessory base.



The lamp is rated to draw 6 Watts at 12 volts.

**2** Screw the lamp into the fixture head.

**SAVE THESE INSTRUCTIONS!**

**LBL**

7400 Linder Ave, Skokie, IL 60077

800.323.3226 - 847.626.6300

**[www.lblighting.com](http://www.lblighting.com)**

© 2014 LBL Lighting. All rights reserved. The "LBL Lighting" graphic is a registered trademark of LBL Lighting. LBL Lighting reserves the right to change specifications for product improvements without notification.

A Generation Brands Company