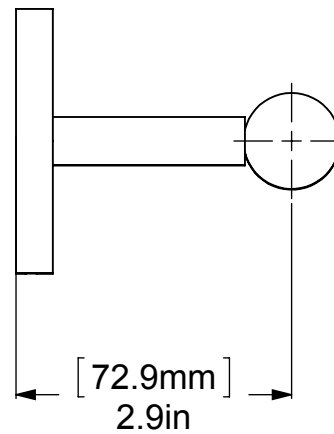
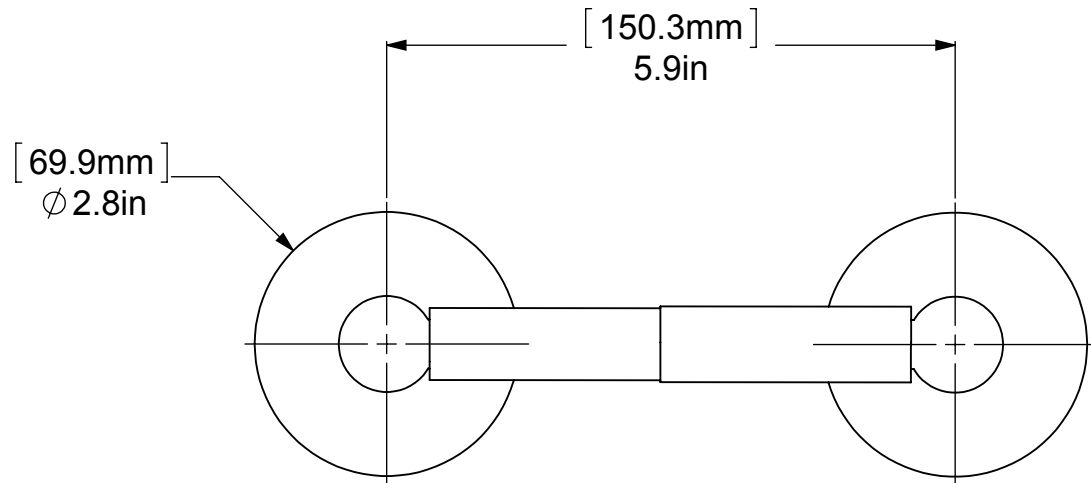
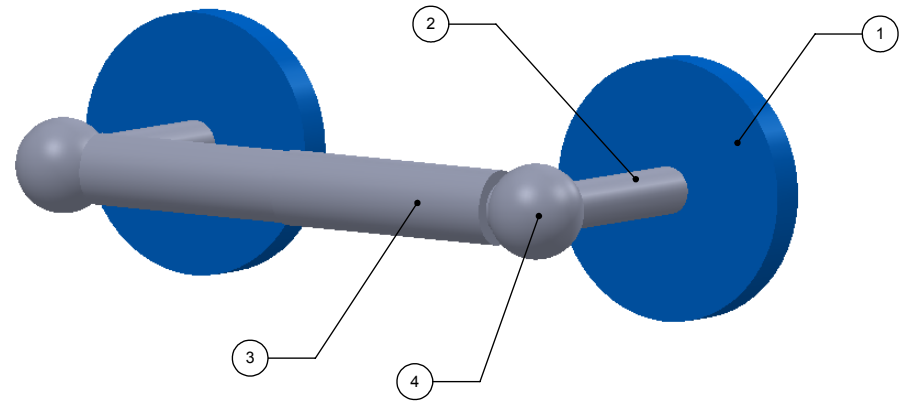


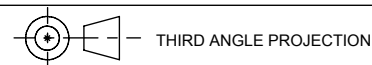
ITEM NO.	PART NUMBER	DESCRIPTION	QTY.
1	BPRD	Base	2
2	TU12-.75	MAIN TUBE	2
3	RLB SET	RLB SET	1
4	BL2TD-1.25	SUPPORT BALL	2



UNLESS OTHERWISE STATED

.X	±.3mm
.XX	±.15mm
.XXX	±.008mm

COPYRIGHT © Allied Brass 2016



DRAWN	7/6/2016	I.M
CHECKED	7/6/2016	P.D
APPROVED	7/6/2016	R.A

MATERIAL:	BRASS
DESCRIPTION:	TISSUE HOLDER

FINISH	TBD
QUANTITY	TBD
DRAWING No.	1024
REV	0
SCALE	1:2
SHEET: 01	A4