

LAVATORY FAUCETS

- Vero® Bath Collection
- Single Handle Deck Mount
- Single Hole Sink Applications
- Single Hole Riser Model

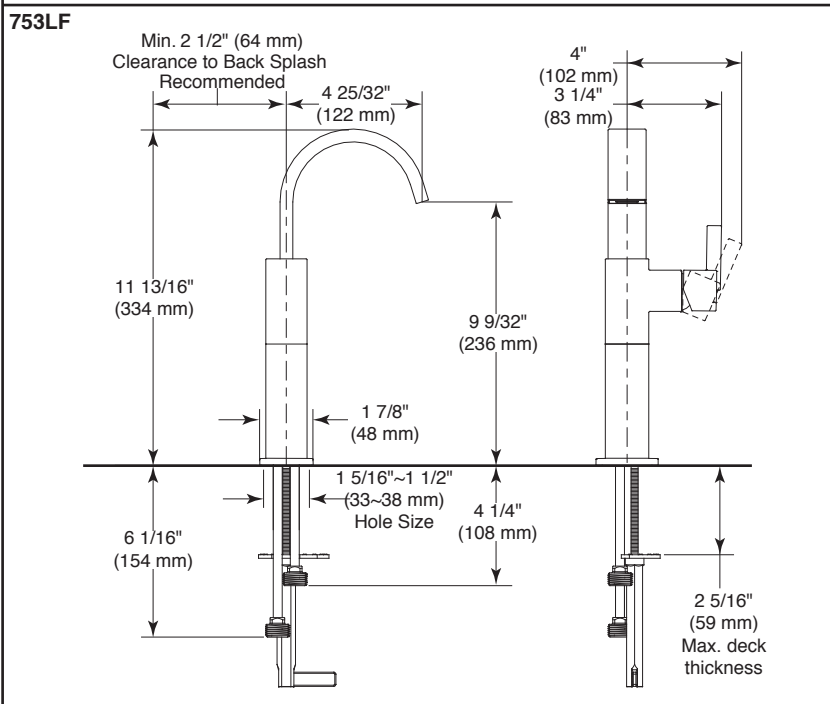
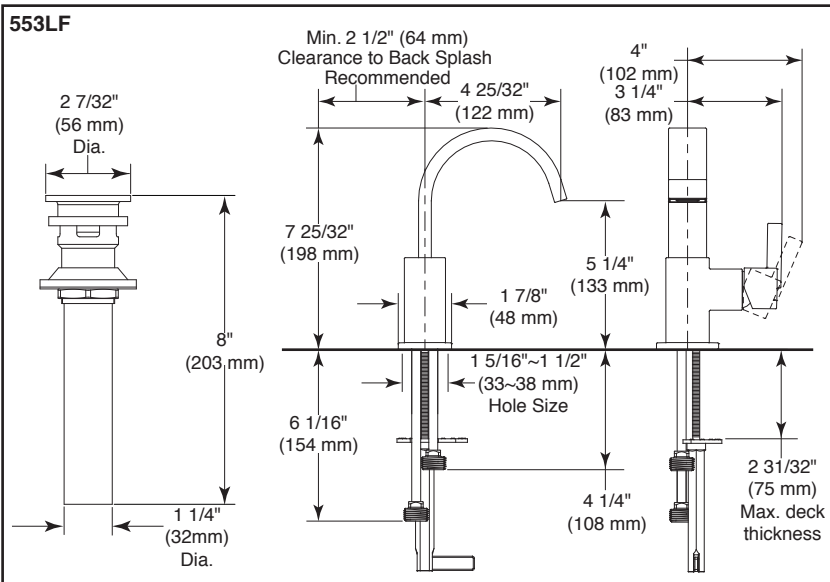
Submitted Model No.: _____
 Specific Features: _____

STANDARD SPECIFICATIONS

- Solid brass fabricated body.
- Single handle lavatory deck faucet.
- Models have 3/8" O.D. copper supply tubes with 1/2"-14 NPSM adapters.
- Maximum flow rate 1.5 gpm @ 60 PSI, 5.7 L/min @ 414 kPa.
- GPM indicates max. 1.0 gpm @ 60 PSI, 3.8 L/min @ 414 kPa.
- Metal drain with push pop-up type fitting with plated flange and stopper (Just for 553LF series models).

WARRANTY

- Lifetime limited warranty on parts (other than electronic parts and batteries) and finishes; or for commercial users, for 5 years from the date of purchase.
- 5 year limited warranty on electronic parts (other than batteries); or for commercial users, for 1 year from the date of purchase. No warranty is provided on batteries.



COMPLIES WITH:

- ASME A112.18.1 / CSA B125.1
- ASME A112.18.2 / CSA B125.2
- Indicates compliance to ICC/ANSI A117.1
- EPA WaterSense®
- Verified compliant with 0.25% weighted average Pb content regulations.

▲ Designate proper finish suffix

Delta reserves the right (1) to make changes in specifications and materials, and (2) to change or discontinue models, both without notice or obligation. Dimensions are for reference only. See full-line price book or www.deltafaucet.com for finish options and product availability.



55 E. 111th Street, Indianapolis, Indiana 46280
 350 South Edgeware Road, St. Thomas, Ontario Canada N5P 4L1
 © 2015 Masco Corporation of Indiana