



Accord®

60" x 30" Tile AFD Bath/Shower
71140122



Features

- Modular design allows it to be moved around corners and through doorways with ease.
- Durable high gloss finish.
- Above-floor-drain (AFD) rough-in.
- Realistic tile wall surround features molded in shelves for generous storage.
- 17-1/4" (438 mm) bath depth (floor to top of threshold).
- 60" (1524 mm) x 30" (762 mm) x 74-1/4" (1886 mm) complete unit finished dimensions.

Material

- Compression molded from our exclusive Vikrell® material.

Installation

- Four-piece modular design with pivot "snap together" installation.
- Caulk-less seam installation.

Components

Product includes:

71144100 60" x 30" Tile Bath/Shower Wall Set

71141122 60" x 30" AFD Bath



For complete listing of available colors, go to sterlingplumbing.com.

Codes/Standards

ASTM E162

ASTM E662

Greenguard UL 2818 - Gold

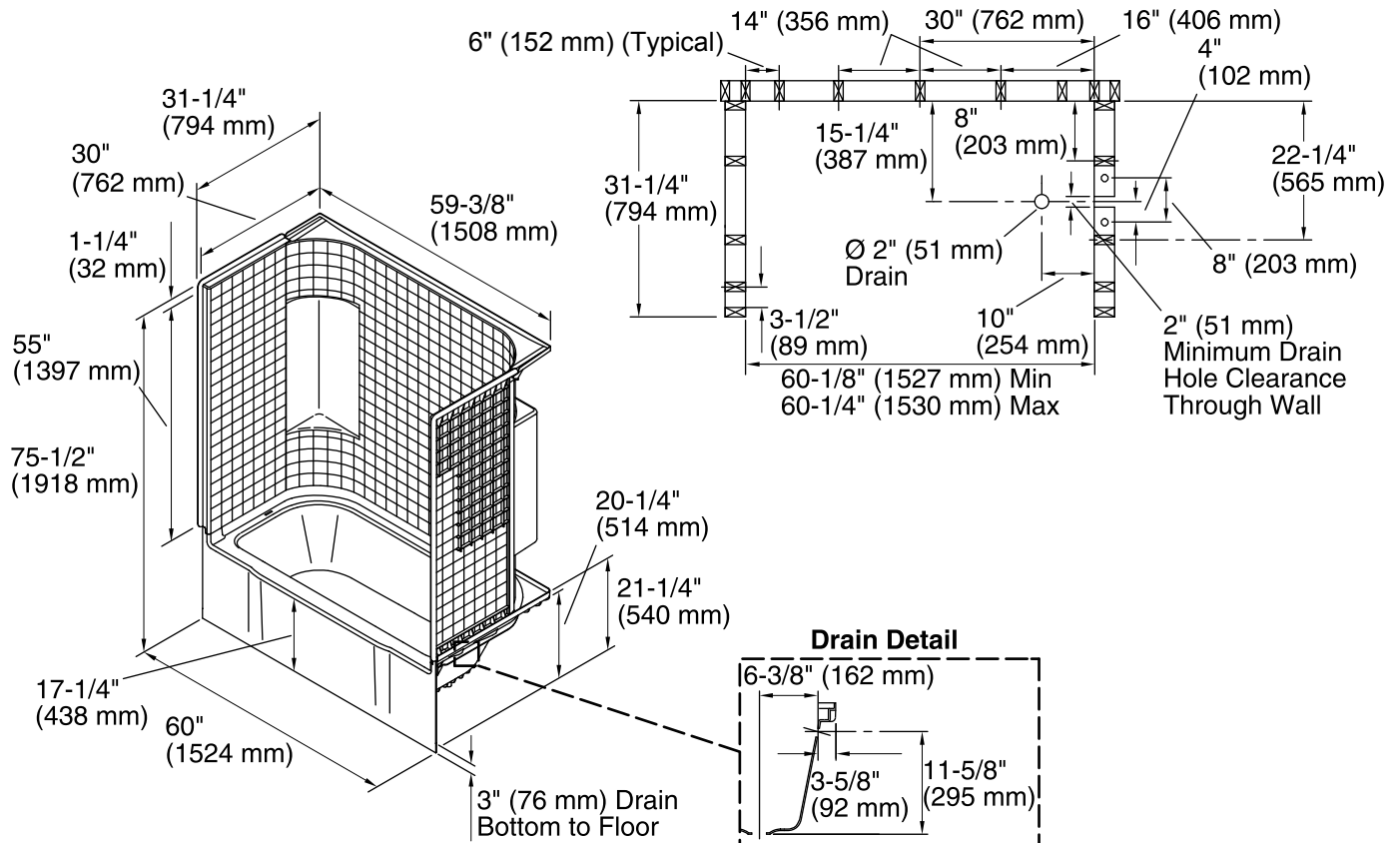
CSA B45.5/IAPMO Z124

STERLING® Warranty - Fixtures Made of Solid Vikrell Material

See website for detailed warranty information.

Product Specification

Bath and tile wall surround shall be 60" (1524 mm) in length, 31-1/4" (794 mm) in width, and 75-1/2" (1918 mm) in height with flange. Bath and tile wall surround shall be made of Vikrell® material with durable high gloss finish. Bath shall have a 17-1/4" (438 mm) bath depth (floor to top of threshold). Bath shall have above-floor-drain (AFD) rough-in and right drain. Bath and tile wall surround shall be STERLING Model 71140122.



Technical Information

All measurements are nominal.

Installation:	3-Wall Alcove
Drain location:	Right
Basin area, bottom:	46-1/4" x 20-1/2" (1175 mm x 521 mm)
Basin area, top:	52-1/4" x 22-1/2" (1327 mm x 572 mm)
Water depth:	11" (279 mm)
Water capacity:	34 gal (128.7 L)

Door height required: 56-1/2" (1435 mm)

Door width required: 56-3/4" (1441 mm)

Installation Notes

Measure your actual product for roughing-in details.

Install this product according to the installation guide.

Double studing is recommended for pivot shower door installations.

Product is designed to be used with a single-hole mixer valve with an escutcheon cover not to exceed 7-3/4" (197 mm) in width.

Studs should be positioned roughly as shown.

Bath cannot be installed without the wall surround.

The width of the module gets 5/8" (16 mm) narrower at the back. Furring strips [approximately 1/4" (6 mm)] should be used at the back corner studs if the drywall will overlap the nailing flange.