

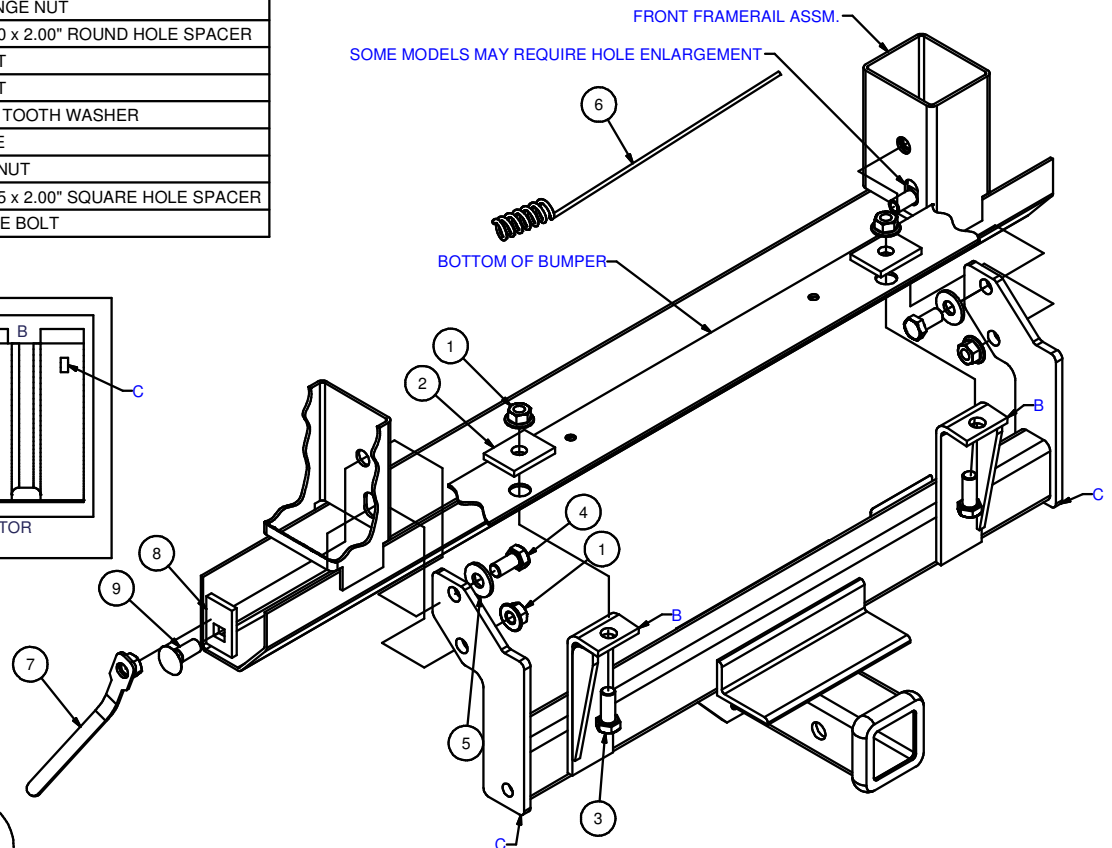
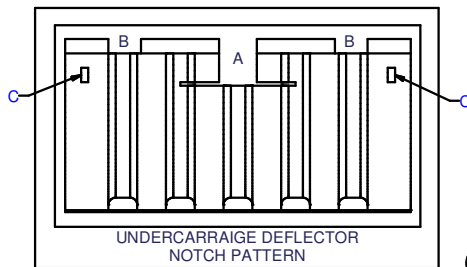
31060**JEEP WRANGLER UNLIMITED**

12/17/2012

WILL NOT WORK WITH OPTIONAL BUMPERS

GROSS LOAD CAPACITY WHEN USED AS A WEIGHT CARRYING HITCH: 3,500 LBS. TRAILER WEIGHT & 350 LBS. TONGUE WEIGHT.
*****DO NOT EXCEED VEHICLE MANUFACTURER'S RECOMMENDED TOWING CAPACITY.*****

Parts List			
ITEM	QTY	PART NUMBER	DESCRIPTION
1	4	HFN 1213	HEX FLANGE NUT
2	2	CM-SP16	.250 x 1.50 x 2.00" ROUND HOLE SPACER
3	2	1/2-13 x 1 1/4	HEX BOLT
4	2	1/2-13 x 1	HEX BOLT
5	2	1/2"	CONICAL TOOTH WASHER
6	1	1/2"	FISHWIRE
7	2	1/2-13	HANDLE NUT
8	2	CM-SP3	.250 x 1.25 x 2.00" SQUARE HOLE SPACER
9	2	1/2-13 x 1 1/4	CARRAIGE BOLT

HITCH WEIGHT: 20 LBS.INSTALL TIME: 45 MINUTES

INSTALL NOTES:
 - NO DRILLING REQUIRED
 - DEFLECTOR TRIMMING OPTIONAL
 - HOLE ENLARGEMENT MAY BE REQUIRED

INSTALLATION STEPS

- 1) Remove undercarriage deflector from vehicle by removing six plastic screw fasteners. (Tip: To remove fasteners squeeze pointed tip and unscrew using phillips screw driver.)
- 2) Raise hitch into position and align holes in frame with holes in hitch.
- 3) Fasten hitch to bottom of bumper using supplied hardware and hand tighten.
- 4) Fishwire 1/2" carriage bolts and spacers through bottom hole of frame rails and secure. Some models may require hole enlargement on the driver side frame rail.
- 5) Install remaining hardware as shown.
- 6) Torque all 1/2" hardware to 110 lb-ft.
- 7) (Optional - if reinstalling undercarriage deflector on vehicle, notch as shown to allow clearance for corresponding hitch components.)

PERIODICALLY CHECK THIS RECEIVER HITCH TO ENSURE THAT ALL FASTENERS ARE TIGHT AND THAT ALL STRUCTURAL COMPONENTS ARE SOUND.

Curt Manufacturing Inc., warrants this product to be free of defects in material and/or workmanship at the time of retail purchase by the original purchaser. If the product is found to be defective, Curt Manufacturing Inc., may repair or replace the product, at their option, when the product is returned, prepaid, with proof of purchase. Alteration to, misuse of, or improper installation of this product voids the warranty. Curt Manufacturing Inc.'s liability is limited to repair or replacement of products found to be defective, and specifically excludes liability for incidental or consequential loss or damage.

31060 JEEP WRANGLER UNLIMITED

*****DO NOT EXCEED VEHICLE MANUFACTURER'S RECOMMENDED TOWING CAPACITY*****.

FRONT MOUNTED ACCESSORIES

1) Do not exceed front axle Gross Weight Rating (GAWR). Consult owners manual or specification plate located on driver's door frame. Measure gross front axle weight by placing front wheels of loaded vehicle on a scale.

WARNING: Exceeding GAWR may overload the front axle and/or suspension. This could result in **accident, property damage and personal injury.**

- 2) Reposition front mounted license plate if obstructed.
- 3) Do not obstruct vehicle lights.
- 4) Allow free air flow into grille opening.
- 5) Rear wheel traction may be reduced. This could effect handling. Reduce speed and drive with caution.
- 6) Accessories extend front of vehicle. This may reduce approach angle. Use caution when parking and maneuvering.
- 7) Do not obstruct driver view.

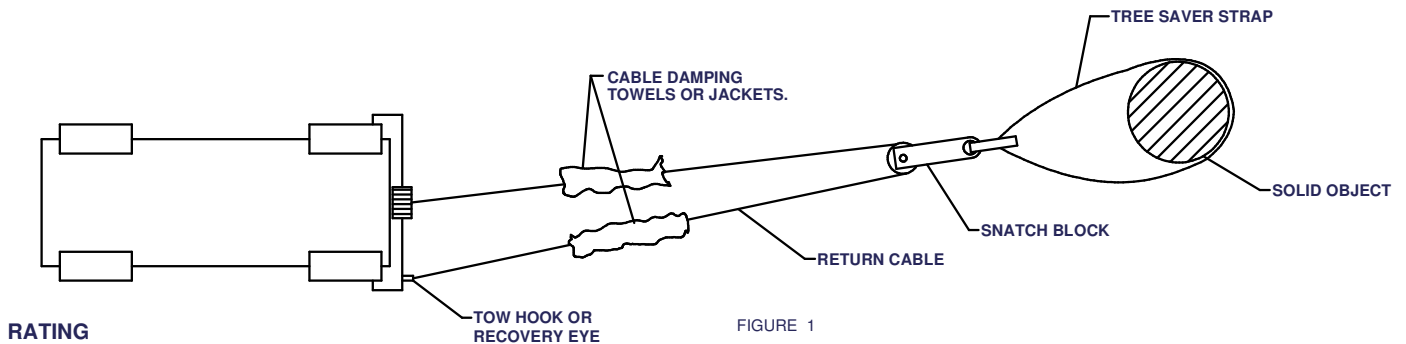
VEHICLE RECOVERY AND WINCHING TIPS

1) Use OEM tow hooks, recovery eyes or a clevis mount for attachment of a tow strap or winch cable.

WARNING: NEVER use a ball and/or ball mount as an anchor point for tow strap or winch cable. Severe personal injury or death could result.

- 2) Observe winch manufacturer's recommendations, cautions and warnings.
- 3) Attach return cable to tow hook or recovery eye when using a snatch block (See figure 1).

CAUTION: Do not attach return cable to winch mount. This may overload winch mount and/or front mounted receiver.



- For **Maximum** line pull rating, winch cable must not exceed:
- 15 degree angle up or down from horizontal (See Figure 2).
 - 45 degree angle left or right from straight ahead (See Figure 3).

CAUTION: Exceeding the maximum line pull rating may over load winch, winch mount, and/or front mounted receiver.

