



Buy it for looks. Buy it for life.®

**DESCRIPTION**

- Metal construction with chrome finish
- Includes showerhead, arm, flange and diverter tub spout

**OPERATION**

- Lever style handle with red/blue temperature indicator on the escutcheon
- Handle operates counterclockwise through a 270° arc with off at 6 o'clock and maximum hot at the 9 o'clock position. Shut off in clockwise direction
- Adjustable temperature limit stop to control maximum hot water temperature
- Pressure balancing mechanism maintains selected discharge temperature to ± 3°

**FLOW**

- EP suffix models are limited to 1.75 gpm (6.6 L/min) at 80 psi
- NH suffix models contain no showerhead

**CARTRIDGE**

- 1222 cartridge design
- Accommodates back to back installations
- Nonmetallic, nonferrous and stainless steel material

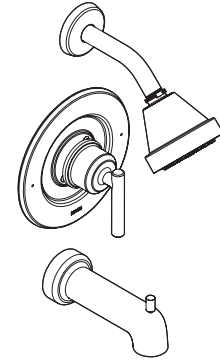
**STANDARDS**

- Third party certified to meet ASME A112.18.1/CSA B125.1 and all applicable requirements referenced therein
- EP suffix models are third party certified to WaterSense®
- **ADA** ♿ for lever handle

**WARRANTY**

- Limited lifetime warranty against leaks, drips and finish defects to the original consumer purchaser
- 5 year warranty if used in commercial installations

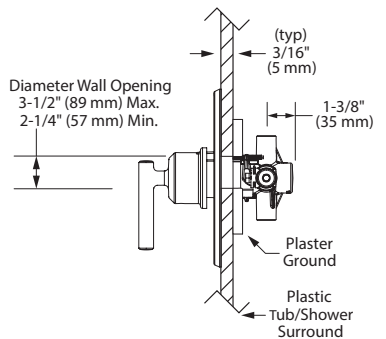
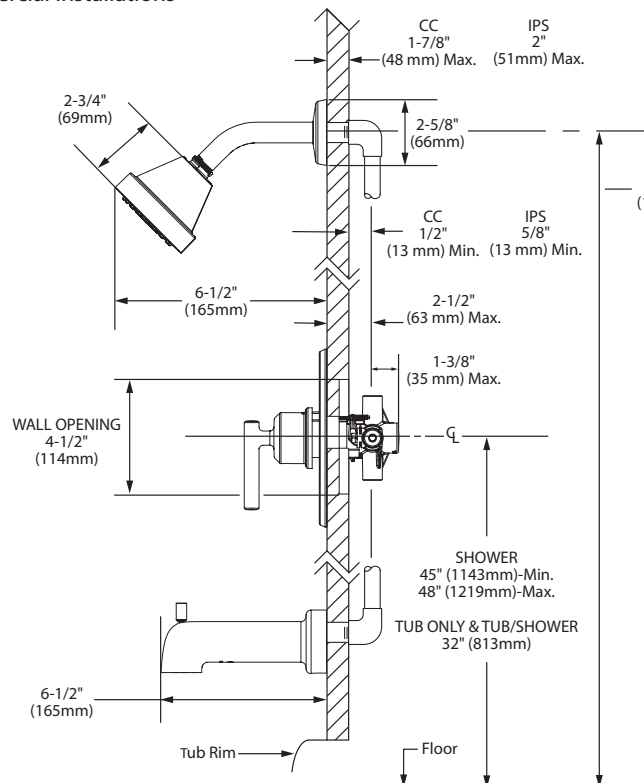
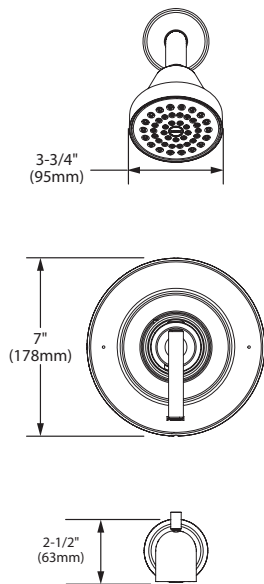
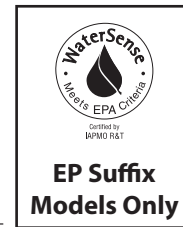
# Specifications



**Gibson™  
Single-Handle Tub/Shower Trim Kit**

**Models:** T2901 series - valve trim only  
T2902 series - shower trim only  
T2903 series - tub/shower trim

**Valves:** 62300 series  
2500 series



**THICK WALL APPLICATION**

**THIN WALL APPLICATION**



**CRITICAL DIMENSIONS**

(DO NOT SCALE)