

# SCALESWEEPER®

## INSTALLATION INSTRUCTIONS

SCALESWEEPER should be mounted on the pipe as close to water entry into the building, before the piping branches off to supply the water heater and all cold water appliances. This maximizes the efficiency of SCALESWEEPER to condition all of the water supplied into the building. The SCALESWEEPER should be mounted after any water meter or grounding cable attached to the water piping system. Install the SCALESWEEPER at least ten feet from any radio, television, or cordless telephone to eliminate any possible interference.

Mount the SCALESWEEPER onto the pipe by routing a tie wrap through the two holes on each end of SCALEWEEPER housing base (See Figure 1). The performance of the SCALESWEEPER is not affected by the direction or orientation. The unit may be mounted horizontally, vertically, or diagonally. The SCALESWEEPER can be used effectively on any type of water pipe; galvanized, copper, or plastic. The unit may be mounted horizontally, vertically, or diagonally. The ClearWave can be used effectively on any type of water pipe; galvanized, copper, or plastic.

Wrap the antenna around the water pipe on each end of the SCALESWEEPER . (See Figure 2) For best results fully wrap the coils of the antenna wire a minimum of seven fully wrapped coils with each coil wrapped tightly against the pipe and pressed snugly (coiled )against each other. The operation of the SCALESWEEPER and the antenna installation is not based on direction of water flow, but **one antenna MUST be wrapped in a clockwise direction and the other wrapped in a counter-clockwise direction.**

Wrap the right antenna clockwise (over the top of the pipe first), keeping the antenna wire tight against the pipe and the preceding coil. Secure the end of the right antenna wire to the water pipe with a tie wrap. (See Figure 3) Wrap the left antenna counter-clockwise (under the bottom of the pipe first), keeping the antenna wire tight against the pipe and the preceding coil. Secure the end of the left antenna wire to the water pipe with a tie wrap .

NOTE : You may fasten the antennae with electrical tape if you wish instead of tie wraps. Insert the power supply terminals onto the power supply screw terminals and fasten securely. Plug the power supply into a standard electrical wall outlet. (See Figure 2) When energized, the SCALESWEEPER modulation indicator lights start flashing sequentially indicating that the SCALESWEEPER is functioning properly.

Figure 1

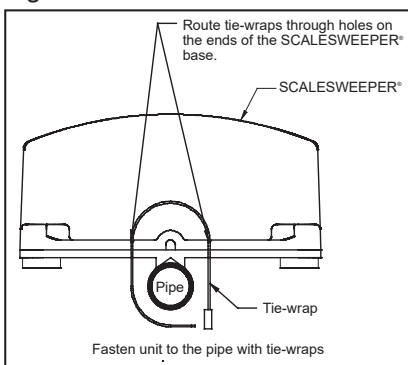


Figure 2

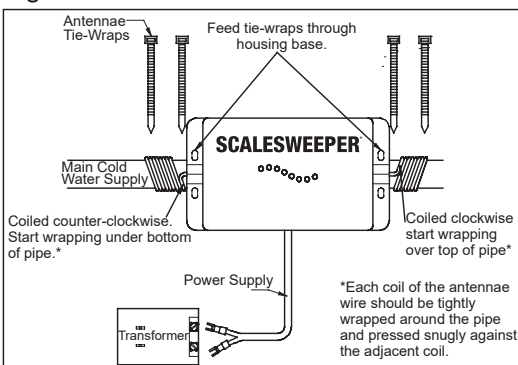


Figure 3

