



INSTALLATION GUIDE

“UNIVERSAL POST”

FOR ORNAMENTAL FENCE/GATE USE

(Universal Post – Can be used for Line, End, and/or Corner Post)

Please read these instructions carefully before installing your fence panels. If you have any questions or need assistance with installing the fence, please contact us at 866-392-0808 for assistance. Installation video also available via e-mail.

Item Description

Fence installation and assembly has never been so easy to install until now. Our universal posts allow you to set and mount your posts quickly and easy. Without having to figure out whether a post is a line post, or a corner post, you can set our posts universally and with no mistakes every time. Built from strong wrought iron, pre-galvanized inside and out, double-powder coated, black.

Features

- Choose from in-ground installation or on concrete with available floor flange
- Pre-mounted base floor flange also available
- Choose from 4'H to 8'H Models
- No Welding or Painting Required (Powder Coated Black)
- On-site assembly
- Zero Maintenance
- Easily Transported/Compact Box

Please read these instructions carefully before installing your XCEL Fence. If you have any questions or issues installing the fence, please contact us at 866-392-0808 for assistance.

Before You Begin ...

Check your local zoning laws.

- Local zoning laws and HOA may regulate the location, type and height of your fence.
- If needed, contact local utility companies for assistance in clearing electrical, gas or water lines to avoid hitting any unseen underground utilities.

Sketch Plan and confirm materials

- Draw and sketch out your fence plan. Plan the location of corners and gates.
- Measure accurately with tape measure and identify all measurements on your drawing.
- Make sure all location of fence lines and gates are carefully planned.
- Determine total number of sections and posts needed.

Installation Tips

- Be sure to measure your fence panel prior to setting the space between the posts.
- Make sure posts are set vertically at 90 degrees for best appearance and installation

ATTENTION:**PLEASE MAKE SURE ALL CONTENTS ARE IN THE FENCE KIT.****DO NOT ATTEMPT TO ASSEMBLE THE FENCE IF PARTS ARE MISSING OR DAMAGED.****Please do not return the product to the store, for assistance or replacement parts call:****866-392-0808**

Required Tools & Materials for Assembly

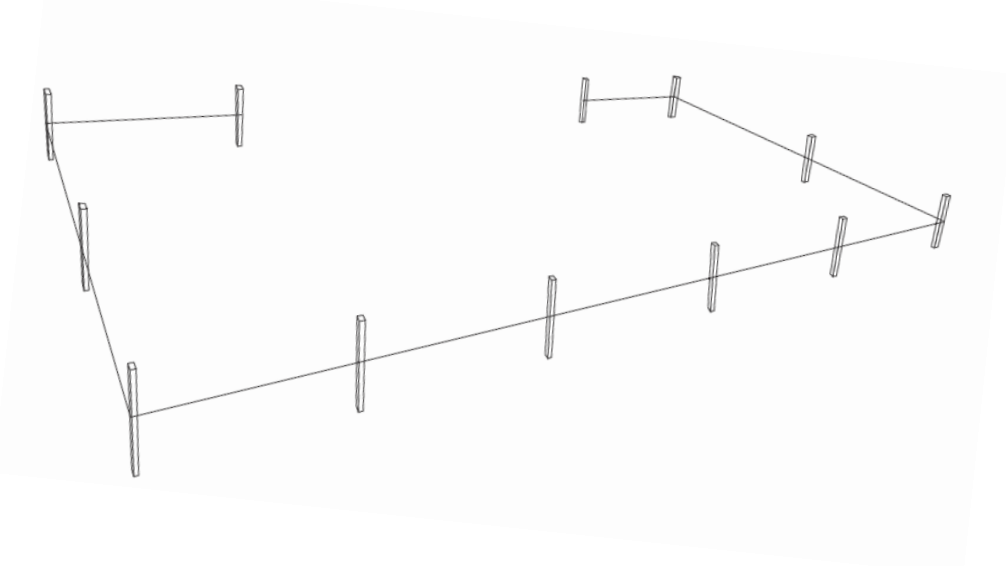
- Power/Hammer Drill
- Tape Measure
- String & Stakes
- Level
- Post Hole Digger
- Concrete Mix
- Socket & Wrench
- Hacksaw

Product Overview

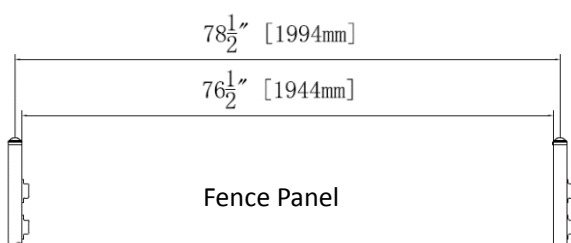
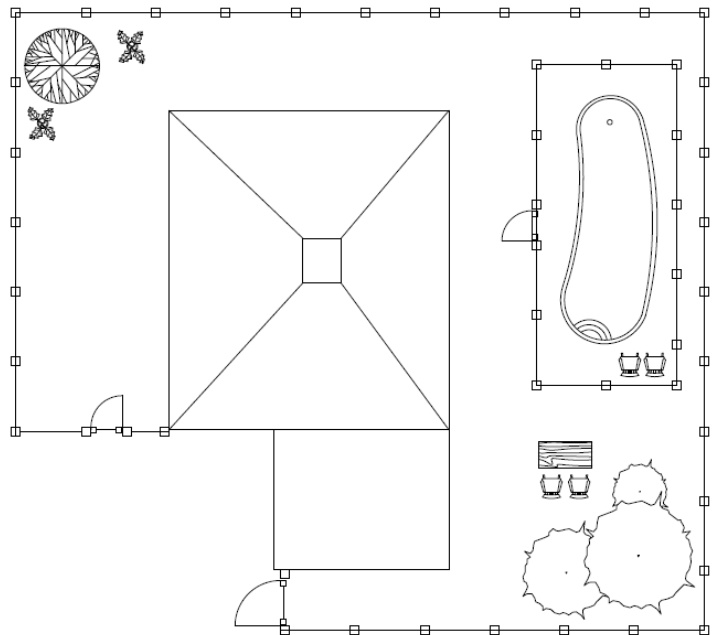


Layout Installation

- Using the image as a guide, establish your fence line by staking out the areas you wish to enclose.
- Mark every 6.5' section to identify location of the posts.
- Attach string to each stake



- Sketch out your fence plan to paper.
- Show the house, driveway, deck, and property lines in your diagram to estimate materials and location of your fence.
- Measure accurately with tape measure and identify those on your sketch.



NOTE: Make sure all posts are set to have an opening of 76-1/2" wide.

Be sure all posts are leveled.

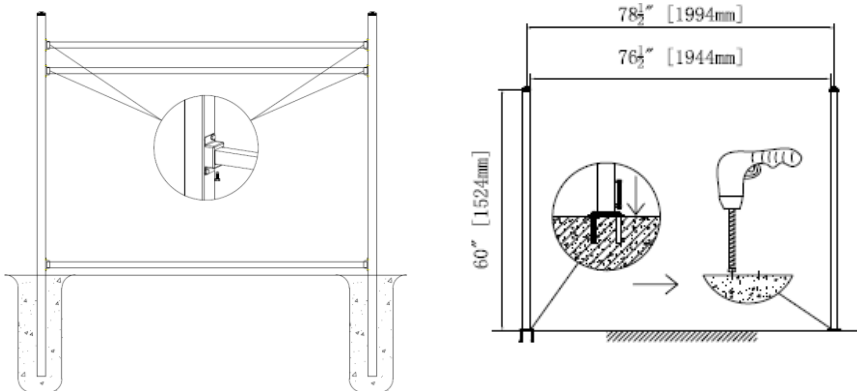
Prior to fence panel installation, make sure concrete is set and dry to avoid shifting of the posts.

In-Ground Post Assembly

1. For best appearance, space posts at uniform distances. To minimize rail cutting, space to utilize full panel sections
2. Dig holes 18" to 24" deep and about 6" wide for each post location.
3. You don't need to worry about making all posts the same height, as they can be easily cut to match once posts are set.
4. Be sure to use a level to make sure the posts are 90 degrees
5. When setting the distance between the posts, leave ¼" on each side as buffer.
6. Make sure cement is set to dry before installation of the fence panels.

Concrete Post Assembly

1. Install Floor Flanges or Posts with Flanges for concrete flooring
2. If Floor Flanges are used, be sure to secure posts with Flange with Tek Screws
3. Mark location of holes on the floor prior to drilling
Drill 1/4" holes into masonry surface to a depth of 1-5/8".
Attach nut and strike with a hammer until anchor has expanded and seated properly.
4. Tighten nuts snugly using adjustable or socket wrench.
5. Using a level, make sure posts are plumb (if not, tighten or loosen bolts)



THANK YOU FOR PURCHASING OUR PRODUCT LINE!