

GoWISEUSA®

2-IN-1 GRILL AND GRIDDLE
**SMOKELESS INDOOR
ELECTRIC GRILL**

USER MANUAL

Model No: GW88000



Save these Instructions – For Household Use Only

When using this electric appliance, take basic safety precautions. Do not use **The GoWISE USA Smokeless Indoor Grill** until you have read this manual thoroughly.

BEFORE YOU BEGIN, it is very important that you read through this manual in its entirety ensuring you are completely familiar with the operation and precautions of this appliance.

Warranty information inside

TABLE OF CONTENTS

| | |
|--|----|
| IMPORTANT SAFEGUARDS. | 3 |
| UNIT SPECIFICATIONS | 5 |
| PARTS & ACCESSORIES. | 6 |
| USING THE CONTENTS. | 7 |
| GENERAL OPERATING INSTRUCTIONS | 8 |
| COOKING CHART | 11 |
| TROUBLESHOOTING | |
| CARE & CLEANING | 12 |
| WARRANTY | 13 |

IMPORTANT SAFEGUARDS

When using electrical appliances, always follow basic safety precautions, including:

- **NEVER IMMERSE** the main unit housing, which contains electrical components and heating elements, in water. Do not rinse under the tap.
- **TO AVOID ELECTRICAL SHOCK, DO NOT** put liquid of any kind into the main unit housing containing the electrical components.
- This appliance has a polarized plug (one prong is wider than the other). This plug is intended to fit into a polarized outlet only one way. **TO AVOID ELECTRIC SHOCK, DO NOT** force the plug into the outlet if it does not fit. If the plug does not fit fully into the outlet reverse the plug and try again. If it still does not fit, contact a qualified electrician. **DO NOT ATTEMPT** to modify the plug in any way.
- **MAKE SURE** to plug the appliance into a wall socket.
- While cooking, the internal temperature of the unit reaches several hundred degrees Fahrenheit. **TO AVOID PERSONAL INJURY**, never place hands inside the unit unless it is thoroughly cooled.
- This appliance is **NOT INTENDED FOR USE** by persons with reduced physical, sensory, or mental capabilities or a lack of experience and knowledge unless they are **UNDER THE SUPERVISION** of a responsible person or have been given proper instruction in using the appliance. This appliance is **NOT INTENDED FOR USE** by children.
- When cooking, **DO NOT PLACE** the appliance against a wall or other appliances. Leave at least 5 in. free space on the back and sides and above the appliance. **Do Not** place anything on top of the appliance. There is constant heat emitting from all sides of the appliance. Proper precautions must be taken to prevent the risk of burns, fires, or other injury to persons or damage to property.
- **DO NOT USE** this unit if the plug, the power cord, or the appliance itself is damaged in any way.
- **DO NOT PLACE** the unit on stove top surfaces.
- **DO NOT USE** outdoors.
- If the power cord is damaged, contact customer support at **support@gowiseusa.com** or call **855.233.9199**.
- Keep the appliance and its power cord **OUT OF THE REACH** of children when it is in operation or the cooling process.
- **KEEP THE POWER CORD AWAY** from hot surfaces. **DO NOT PLUG** in the power cord or operate the unit controls with wet hands.
- **NEVER CONNECT** this appliance to an external timer switch or a separate remote control system.

IMPORTANT SAFEGUARDS

- **NEVER USE** this appliance with an extension cord of any kind.
- **DO NOT OPERATE** the appliance on or near combustible materials, such as tablecloths and curtains.
- **DO NOT USE** the Smokeless Indoor Grill for any purpose other than described in this manual.
- **NEVER OPERATE** the appliance unattended.
- **WEAR OVEN MITTS** when handling hot components or touching hot surfaces.
- Should the unit emit black smoke, **UNPLUG IMMEDIATELY** and wait for smoking to stop before removing grill contents.
- Always operate the appliance on a horizontal surface that is level, stable, noncombustible and heat resistant.
- This appliance is intended for normal household use only. It is not intended for use in commercial or retail environments.
- If the **GoWISE USA Smokeless Indoor Grill** is used improperly or for professional or semi-professional purposes or if it is not used according to the instructions in the user manual, the warranty becomes invalid, and the manufacturer will not be held liable for damages.
- Always unplug the appliance after use.
- Let the appliance cool for approximately 30 mins. before handling, cleaning or storing.
- Always use oven mitts.

Electricity

If the electrical circuit is overloaded with other appliances, your new unit may not operate properly. This unit should be operated on a dedicated electrical circuit.

Electromagnetic Fields

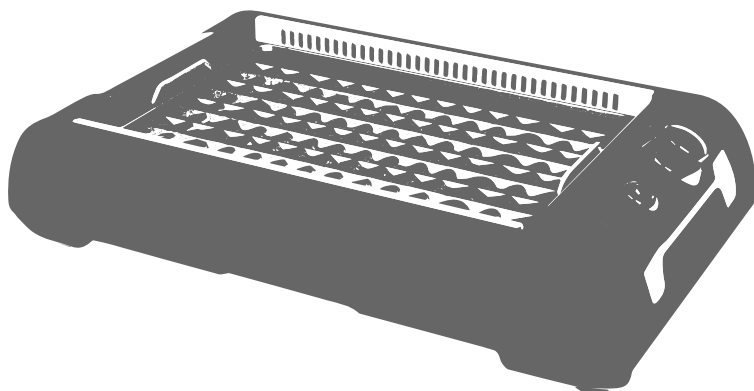
This appliance complies with all standards regarding electromagnetic fields. If handled properly and according to the instructions in this user manual, the appliance is safe to use based on scientific evidence available today

Shut-Off

You can manually shut off the appliance turning the dial all the way to MIN at any time during cooking.

SAVE THESE INSTRUCTIONS – FOR HOUSEHOLD USE ONLY.

UNIT SPECIFICATIONS



| | |
|---------------------|----------------------|
| Model Number | GW88000 |
| Power Supply | AC 120 V 60Hz |
| Wattage | 1300W |

Note: Unpack all listed contents from packaging. Please remove any clear or blue protective film on the components before use.

Note: Please make sure that your GoWISE USA Smokeless Indoor Electric Grill has been shipped with the components that you ordered. Check everything carefully before use. If any part is missing or damaged, do not use this product. Contact shipper using the customer service number located in the back of the user's manual.

Note: This unit has been designed and engineered to reduce smoke, and visible vapors usually associated with grilling to a minimum; delivers outdoor results indoors.

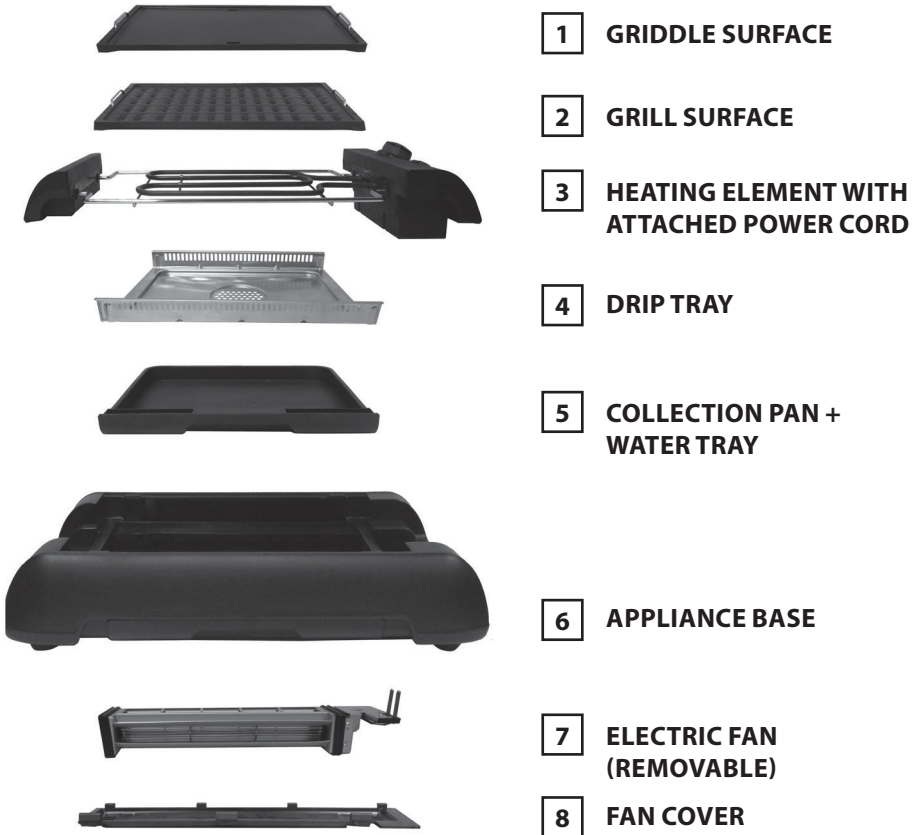
WARNING

Because the cooking surfaces are non-stick never use metal cooking utensils – which can scratch away the non-stick coating. Never wash or scrape with abrasive cleaning sponges or steel wool.

CAUTION

Wait for all components to cool thoroughly after use before disassembling. Always handle hot components with oven mitts while cooking.

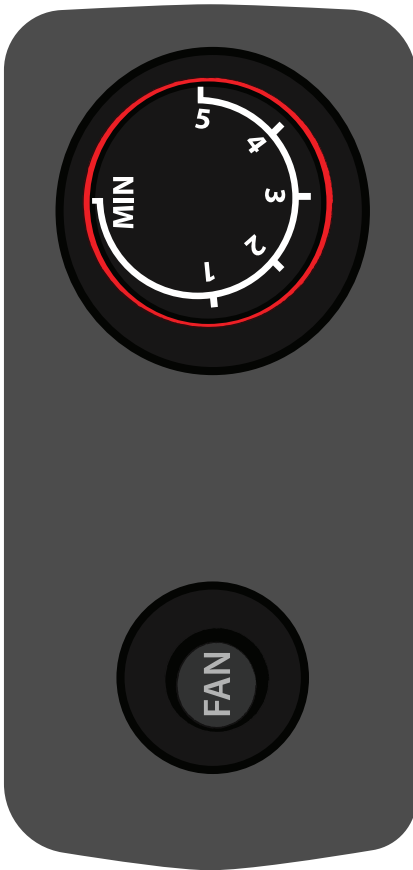
PARTS & ACCESSORIES



SPECIAL FEATURES

- Smokeless Grill and Griddle with Built-In Fan
- Heats up quickly and maintains a constant temperature
- Dishwasher safe parts and easy to clean
- Heats up to 482° F
- Non-stick coating

USING THE CONTROLS



1. Choose whether the Grill or Griddle surface is necessary for the intended ingredients.
2. Plug power cord into a wall socket (make sure the polarized plug fits).
3. Fill the Collection pan/Water tray with approximately 1 cup of water to prevent smoke.
4. Set temperature dial between 1-5 (depending on ingredients and desired texture and doneness)
5. Turn on Electric Fan by pressing the button labeled Fan
6. Allow Grill or Griddle to reach the desired temperature before placing ingredients onto the cooking surface.
7. Cook until desired temp, texture, doneness.
8. Remove and enjoy!
9. When you are finished grilling, turn the dial to MIN and press Fan button to shut down the unit. Unplug the power cord and allow to cool fully before disassembling for cleaning.

GENERAL OPERATING INSTRUCTIONS

Before First Use

- Remove all packing materials, labels, and stickers.
 - Hand wash the Non-stick Grill Plate, Non-stick Griddle Plate, and Collection Pan with warm, soapy water.
 - Wipe the inside and outside of the Base Unit with clean, moist cloth. NEVER wash or submerge the Heating Element, Electric Fan, or base unit in water or liquid of any kind.
 - Finally, heat up unit for a few minutes to burn off any residue.
-

Using the GoWISE USA Smokeless Indoor Electric Grill

1. Place the appliance on a stable, level horizontal, and heat-resistant surface.
2. Assemble the unit as shown on page 6
3. **Add about 1 cup of water to the Collection Pan. IMPORTANT FOR SMOKELESS GRILLING - DO NOT SKIP THIS STEP!**
4. Leave ample air space on all sides of the unit to facilitate air flow.
5. Plug the Power Cord into a dedicated outlet.
6. If you are starting with a cold grill, you may preheat the grill using a medium or high heat setting for 4-6 mins.
7. Prepare and season your food according to your favorite recipe. You may spray or wipe the Grill Plate or Griddle Plate's surface with cooking oil.
8. Select the cooking temperature, add the food, and grill to your taste. Turn the food as needed.

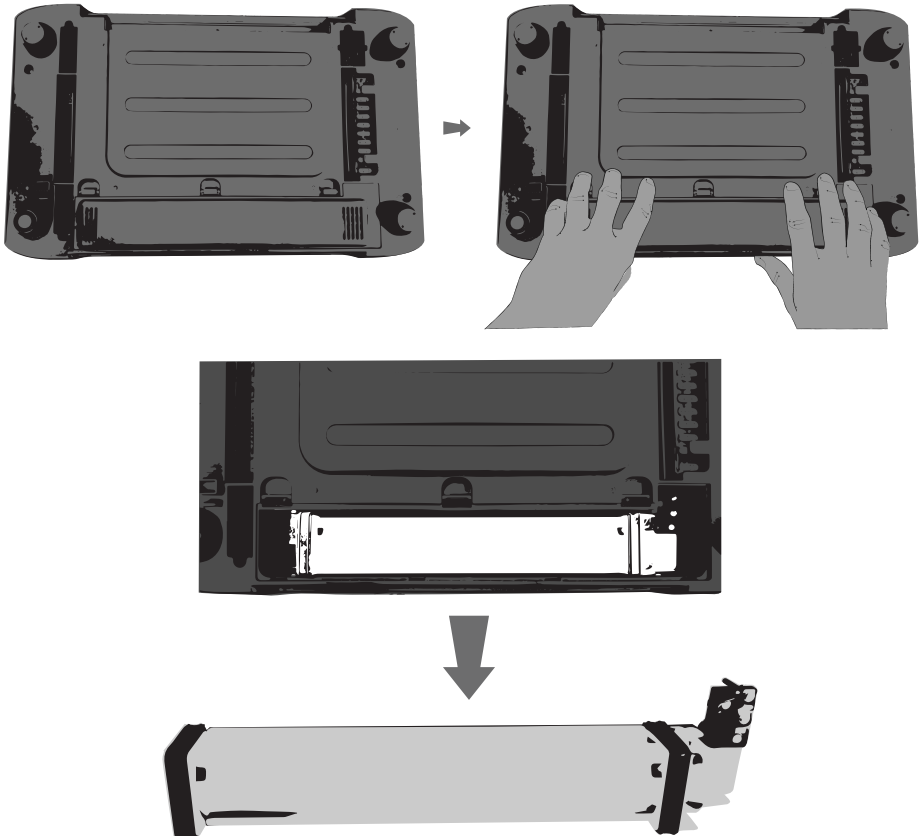
GENERAL OPERATING INSTRUCTIONS

Removing the Electric Fan

If you plan to thoroughly clean the Base Unit with water and detergents, remove the Electric Fan. When replacing the Fan, make sure to insert the two-prong connection into the receptacle.

CAUTION: Unplug unit before removing the fan.

1. Disassemble the Appliance.
2. Turn over the Base Unit.
3. Unclip the three securing clamps on the Fan Cover.
4. Lift the Fan out of the Base Unit.



GENERAL OPERATING INSTRUCTIONS

Tips

- Be careful not to transfer germs from raw meat to cooked meat. Use separate utensils and platters for raw and cooked meat.
- Always marinate in a tightly covered nonmetal dish and turn the food occasionally. Be sure to refrigerate all meats while marinating.
- If the leftover wet marinade is to be used as a sauce with the cooked food, be sure to place it in a small pan and heat to a rolling boil before serving to eliminate bacterial growth.
- Similar to a stove top frying pan, grease from high-fat foods, such as bacon or sausage, may splatter on the counter-top. Protect the counter-top as necessary.
- Before grilling, partially cook bone-in chicken, ribs, and uncooked smoked or fresh sausages for best results. If not partially cooked, these meats may become over browned on the outside before the center is done.
- To prevent scratching the coating, use only nonmetallic utensils. Do not cut food on the grill or griddle plate using sharp utensils, such as forks or knives that can scratch the cooking surface.
- Do not use steel wool or other metal pads. They could leave course scratches. Always rinse thoroughly and dry immediately with a soft towel.
- Make sure to empty contents from the Collection Pan/Water Tray before moving or storing the base unit.



COOKING CHART

| Food Item | Time | Temperature | When it's done |
|----------------|------------|-----------------|--------------------|
| Fish | 12-15 mins | 155°F | Opaque/Flaky |
| Shrimp | 2-4 mins | 155°F | Opaque & Red Edges |
| Chicken Legs | 30-45 mins | 176°F | Juice Runs Clear |
| Chicken Breast | 20-25 mins | 176°F | Juice Runs Clear |
| Kababs | 12-15 mins | your preference | |
| Steak | 3-9 mins | 140°F-165°F | Your Preference |
| Pork Chops | 20-25 mins | 160°F | No Pink Meat |
| Burgers | 10-15 mins | 160°F | Your Preference |
| Sausages | 15-25 mins | 160°F | No Pink Meat |
| Bacon | 1-2 mins | NA | Crispy |

Use a meat thermometer to check internal meat temperature.

Cooking times are suggested and will vary depending on the thickness of the food and personal preferences. Foods can be grilled at maximum temperature. However, you may wish to reduce the temperature for certain items. Low temperatures will keep foods warm once cooked.

TROUBLESHOOTING

If your unit is not working properly:

- Make sure the power cord is plugged into a working electrical wall socket.
 - Make sure the temperature knob has been turned to at least 1.
 - The unit may not be able to draw enough operating power from the outlet. Try switching the power cord to an outlet that has no other appliances attached to it.
 - If food is undercooked or overcooked, change the cooking time and temperature accordingly.
 - If the Electric Fan is not working, the assembly may not be fully connected. Disassemble the unit and reattach the Fan component. Follow instructions on page 6.
-

Care & Cleaning

- Before cleaning, be sure to unplug the cord from the outlet. If necessary, wipe the cord with a damp cloth.
- Allow the appliance to cool completely before cleaning. The Grill Plate, Drip Tray, Collection Pan, and Griddle Plate can be placed in the bottom rack of the dishwasher or washed by hand. The base unit can be washed by hand with a warm, damp cloth and mild cleaning liquid. For more thorough cleaning of the base unit, remove the Electric Fan.
- Always be sure to wash the Grill or Griddle surface after each use to remove any grease that may have accumulated. To keep grease from dripping outside of the base, always ensure that you are using your Grill on a level surface and that the Drip Tray is completely clear of food particles.
- Do not use scouring pads or harsh cleaners on this unit. If necessary, use a nylon bristle brush or plastic scrubbing pad.

WARRANTY

General Warranty excludes refurbished / auction items.

GoWISE USA has a 1-year limited warranty for all products. Products are warrantied against defects in materials and workmanship for 1 year from the date of purchase, when used in accordance with the instructions provided. This warranty does not cover damages or wear resulting from accident, misuse, abuse, commercial use, or unauthorized adjustment and/or repair. GoWISE USA shall not be liable for loss of use or any other incidental, consequential or indirect costs, expenses or damages. There are no express warranties except as listed above. This warranty gives you specific legal rights and you may have other rights which vary from state to state.

CALL 855-233-9199 for RETURN INSTRUCTIONS

WE DO NOT SERVICE PRODUCTS OUTSIDE THE 48 CONTINENTAL UNITED STATES. WE WILL SHIP TO A FREIGHT FORWARDER FOR CUSTOMERS.

NOTE: Customers are responsible for all return shipping costs. When item(s) are returned under warranty as being defective, they are thoroughly tested to verify manufacturer defect. If any item(s) are determined to be in proper working order after testing, all shipping cost to have the product returned to the customer will be the responsibility of the customer.

Return Period: 30 Days

All return requests must be made within 30 days from the date our customers purchase their product(s). Refunds are only applicable during the 30-day return period and may be subject to restocking fees up to 15% of the original purchase amount. If the product is defective within 30 days, GoWISE USA will cover the cost of return shipping. However, a photo and/or video from the customer is required to receive a pre-paid shipping label. If the product is missing any accessories that were included in the original

Packaging/shipment, or the product is damaged, altered or used, the item may no longer be eligible for a refund or replacement. Any decision of refund and/or replacement will be decided at the discretion of GoWISE USA.

NOTE: Customers are responsible for all return shipping costs after 30 days.

Defective/Freight Damaged:

Products that are within the 30-day return period and have been determined by customer service to be defective are qualified for a return label for the product to be returned to GoWISE USA for inspection and testing.

GoWISE USA will provide a return shipping label for defective product(s) only. Customers must contact the carrier (shipping company) for products that have arrived damaged after initial transit. Clear photographic and video proof of damage and/or defective product(s) is REQUIRED prior to GoWISE USA authorizing the return of any product.

Purchase from 3rd Parties:

In order for the GoWISE USA customer service team to lookup the warranty information regarding the product(s), the original order information and/or proof of purchase is required. Without this information, GoWISE USA will be unable to move forward with providing a replacement under warranty, as we do not know the date or origin of the purchase. GoWISE USA does not have a working business relationship with 3rd party selling sites or services or individuals which are not listed below as one of our authorized retailers.

GoWISE USA is not responsible for making inquiries to such 3rd parties for the purpose of obtaining documentation. It is the responsibility of the person(s) making the warranty claim to provide original documentation such as order information and/or a receipt so that customer service can process the request. Any claim made under GoWISE USA warranty guidelines must be made by original purchaser of the product(s). Any defective product(s) will be replaced as long as the issues with the device fall within warranty guidelines.

California Proposition



65 Warning



WARNING: This product contains chemicals known to the State of California to cause cancer and/or reproductive harm, and birth defects or other reproductive harm.

ADVERTENCIA: Este producto contiene productos químicos reconocidos por el estado de California que provocan cáncer o daños reproductivo, defectos de nacimiento u otros daños reproductivos.

For more information: www.P65Warnings.ca.gov

GoWISEUSA®

www.gowiseproducts.com
support@gowiseusa.com
855.233.9199

- To ensure the correct use of this appliance, read these instructions carefully and thoroughly.
- Please keep this manual for future reference.
- Thank you for purchasing this GoWISE USA Smokeless Electric Indoor Grill.

USE PROMO CODE: **LIVewiseraF**

**10%
OFF**

YOUR NEXT **GoWISEUSA®** PURCHASE

