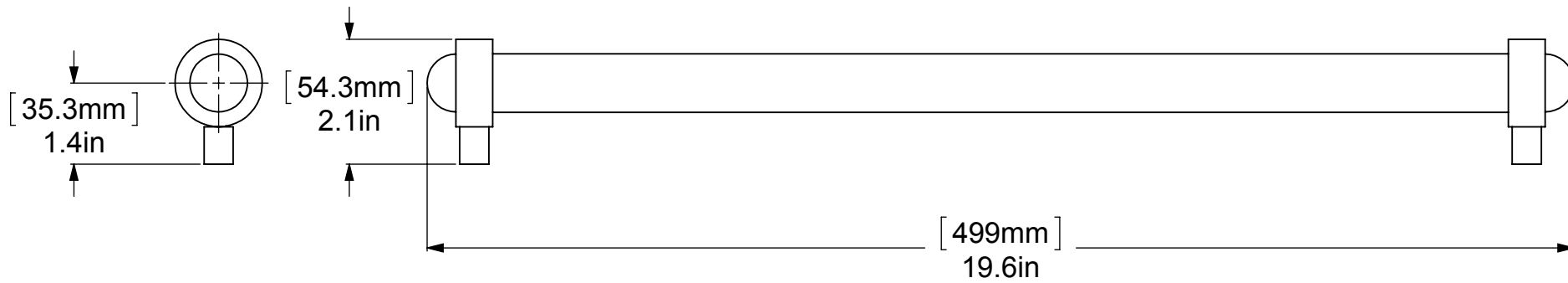
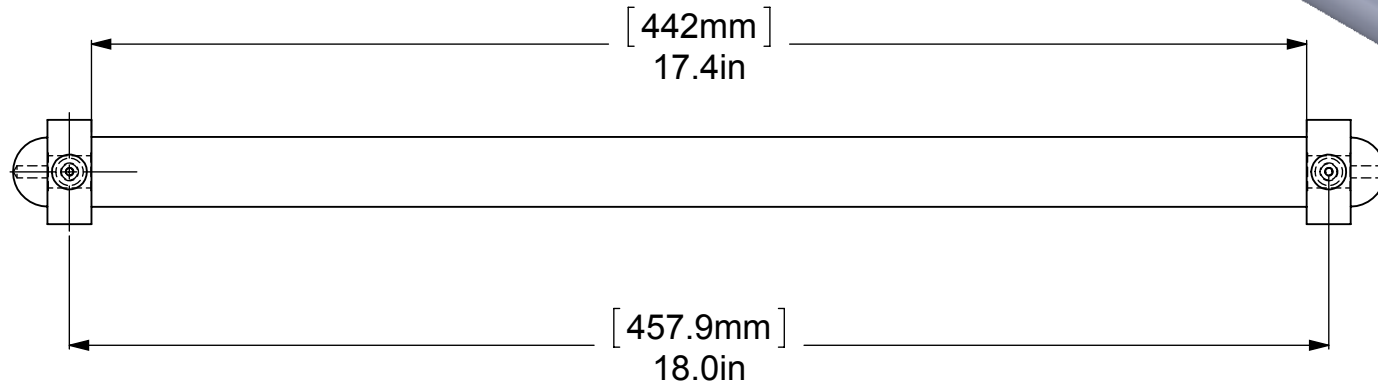
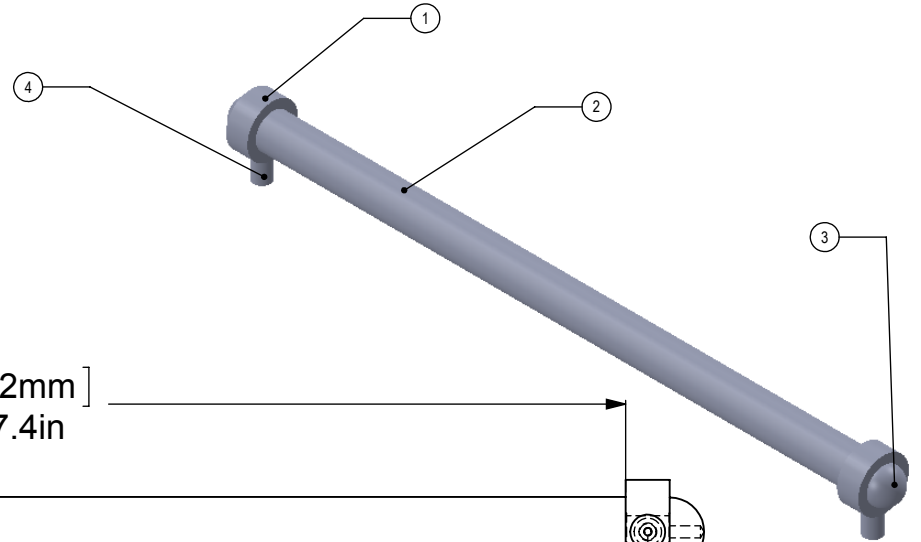


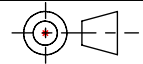
ITEM NO.	PART NUMBER	DESCRIPTION	QTY.
1	RGSMT	CONNECTOR	2
2	TU1-17.4	TUBE	1
3	CAHR-1	CAP	2
4	PSRD8-12	END TUBE	2




UNLESS OTHERWISE STATED

.X	±.3mm
.XX	±.15mm
.XXX	±.008mm

COPYRIGHT © Allied Brass 2017



THIRD ANGLE PROJECTION

DRAWN	5/13/2017	I.M	MATERIAL:	BRASS		FINISH	TBD
CHECKED	5/13/2017	P.D	DESCRIPTION:		QUANTITY	TBD	
APPROVED	5/13/2017	R.A	18 Inch Refrigerator Pull		DRAWING No.	REV	
					402A-RP	0	
			SCALE	1:2.75	SHEET: 01	A4	