



Pearson Rocking Chairs Assembly Instructions

Before beginning assembly, layout all parts on a soft, scratch resistant surface. Contact SE Brands directly if any parts are missing. We will gladly provide free replacements.

Please do not contact your retail store for replacement parts, or assembly questions.

During assembly, hand tighten each bolt until all bolts are started. Once each bolt is started, you can fully tighten them down. This helps to insure all piece align properly and makes assembly a much easier process.


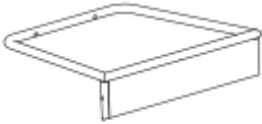
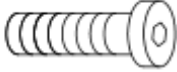




QUESTIONS? MISSING PARTS?

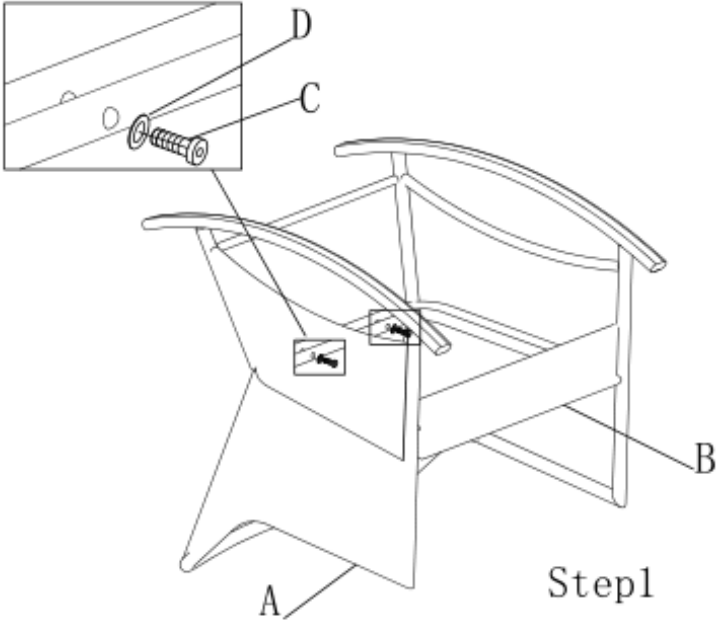
Contact SE Brands directly for the fastest service.

hello@sebrandsinc.com

888-682-3012

Pearson Rocking chair

 A. Seat Frame 1pc	 B. Chair Seat 1pc	 C. Bolt (M6*40) 4pcs	 D. Metal washer (M6) 4pcs
 E. Allen Wrench 1pc	 F. Back Cushion 1pc	 G. Seat Cushion 1pc	



Step 1

Pearson Rocking chair

