

Installation Instructions

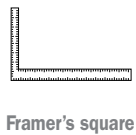
Patio Door

2-Panel Door with
Non-Assembled Frame

Project Requirements:

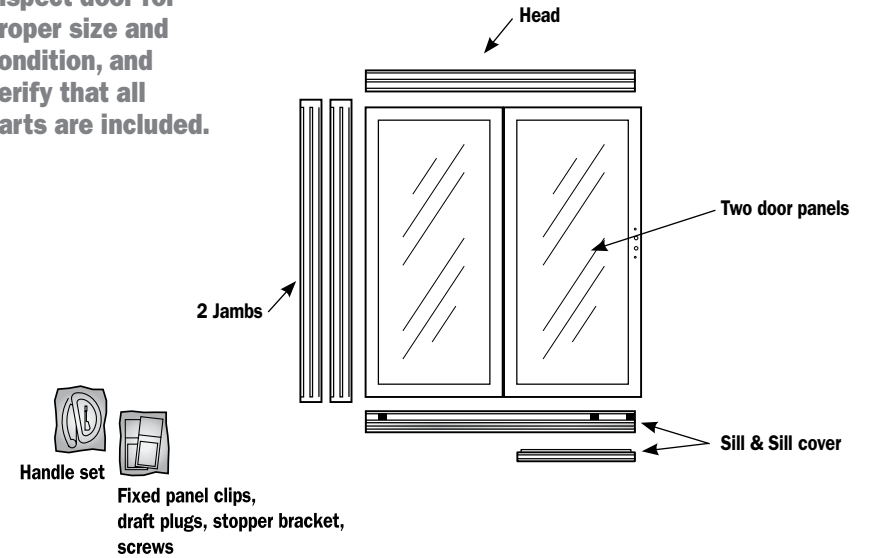
- Instructions are for typical wood frame wall construction.
- Installation must comply with all applicable building codes.
- Depending on options purchased, this door was manufactured for installation into either a new or existing door opening.
- Wall and sill must be structurally sound and weather-resistant barrier must be adequate.
- Door must be installed to be plumb, level and square.
- Door should be approximately 1/2" less in both width and height than the opening.

Tools & materials required:



Step 1

Inspect door for proper size and condition, and verify that all parts are included.



Hardware Included:

Two hardware bags, together containing:

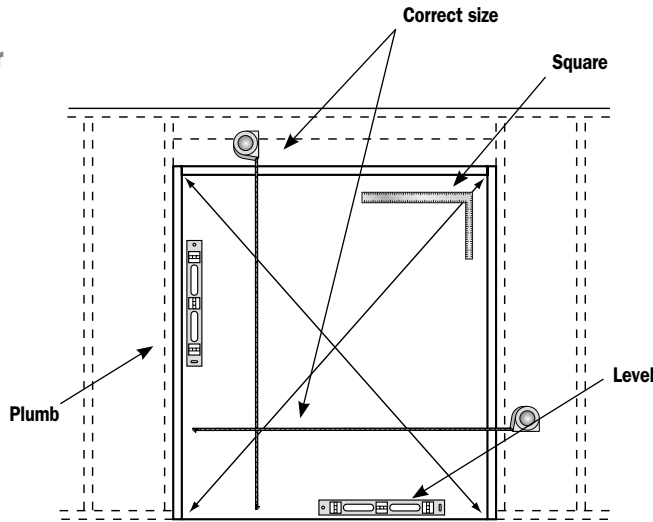
Quantity	Item
18	#8 x 2" Phillips Pan Head Screws
12	#8 x 2" Phillips Flat Head Screws
8	#8 x 3/4" Phillips Pan Head Screws
6	#8A x 5/8" Phillips Pan Head Screws
2	#8 x 1/2" White Phillips Truss Screws
2	Fixed Panel Clips
2	Sill Draft Plugs
2	Head Draft Plugs
1	Stopper Bracket

Step 2

Inspect opening for correct size. Opening should be 1/2" larger than the door size.

Be sure opening is plumb, level and square.

If using nailing fin, continue with step 3. If nailing fin will not be used, proceed to step 11.

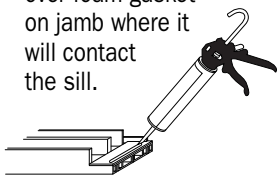


New Construction: For Nailing Fin Applications

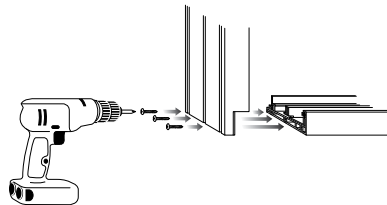
Step 3

Apply sealant and fasten jambs to sill and head.

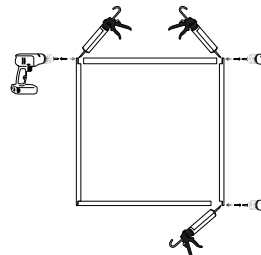
1 Apply sealant over foam gasket on jamb where it will contact the sill.



2 Fasten jamb to sill with 3, #8 x 2" flat head screws (included) in each location using pre-drilled holes.

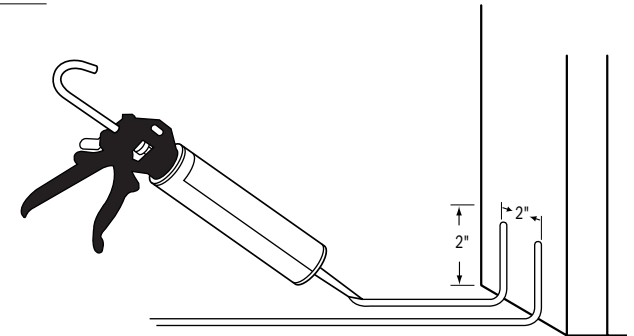
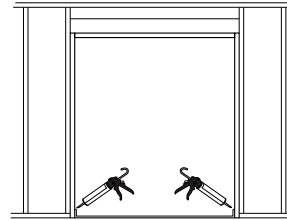


3 Repeat in other 3 corners. Make sure tracks line up.



Step 4

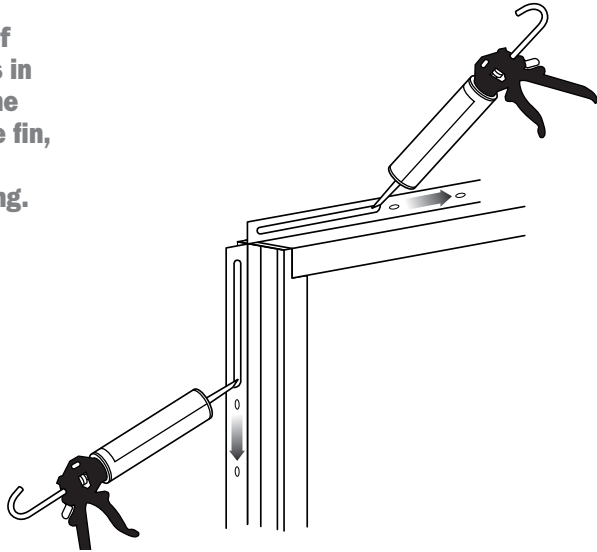
Apply two 1/4" beads of sealant to sill and 2" up each side of rough opening.



Silver Line strongly recommends that you use a membrane or vinyl-based sill pan to ensure a weathertight seal. Follow the sill pan manufacturer's installation instructions.

Step 5

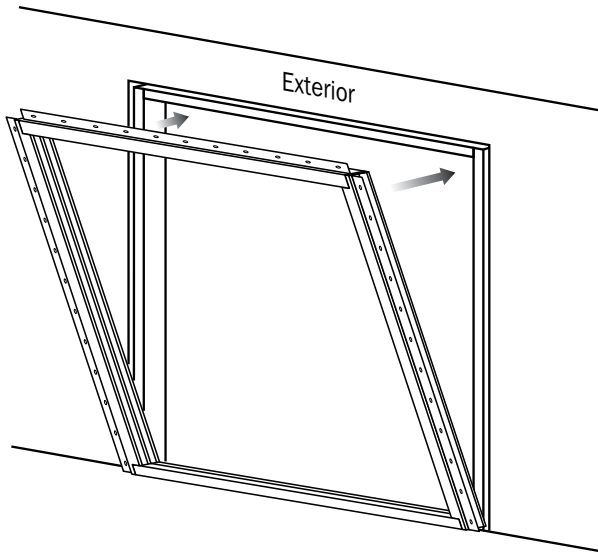
Apply 1/4" bead of sealant over holes in nailing fin along the interior side of the fin, where it will contact the opening.



Step 6

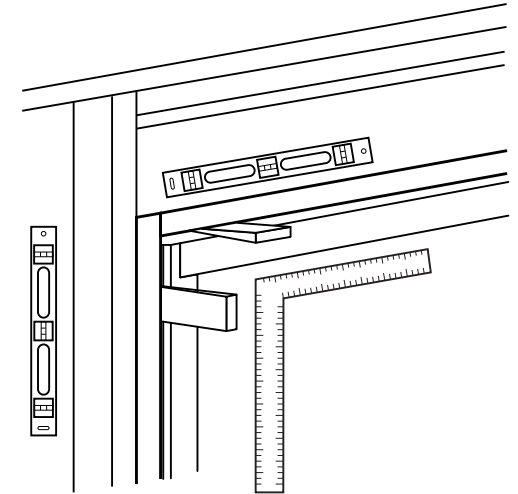
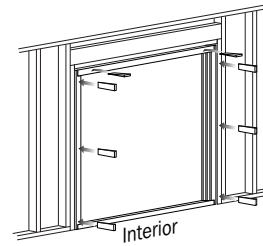
Place frame into the opening from the exterior. Place sill of frame into place, then tip head into place.

NOTE that the nailing fin is closer to the EXTERIOR side of the frame.



Step 7

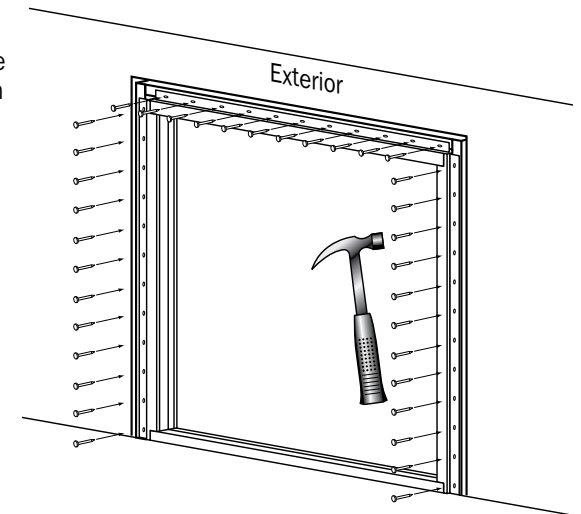
Shim so door is plumb, level and square.



Step 8

Nail into place.

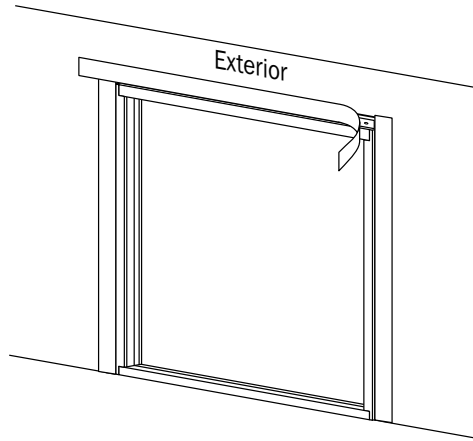
Begin by nailing only the top right corner. Check for square and shim as necessary. Then continue nailing through the pre-punched holes, ensuring at least 1" penetration into wood framing.



Step 9

Apply self-adhesive flashing to cover the nailing fin.

Apply to the sides first and ensure it extends beyond the top of the door. Then apply to the top, extending beyond the sides.



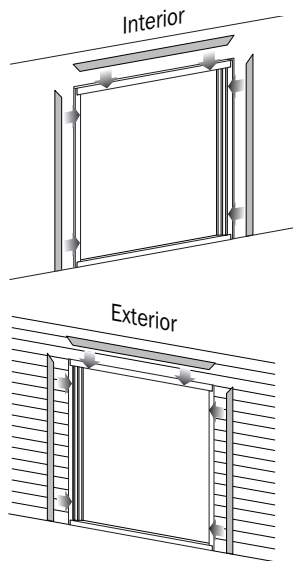
IMPORTANT - To create a weathertight seal, ensure that the flashing fully covers the entire length of the jambs and head of the door around the door opening. Pay special attention to the corners to ensure that there are no gaps in the flashing.

Step 10

Apply interior and exterior trim.

Caulk the perimeter of interior and exterior for a weathertight seal.

Then proceed to either Step 16 if you want to switch orientation of operating panel or to Step 20 to finish installation.

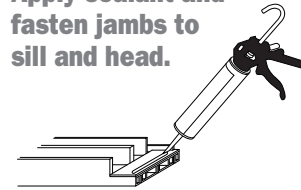


Replacement: For Non-Nailing Fin Applications Only

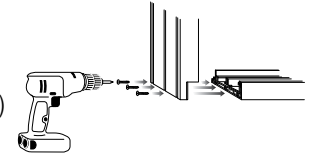
Step 11

Apply sealant and fasten jambs to sill and head.

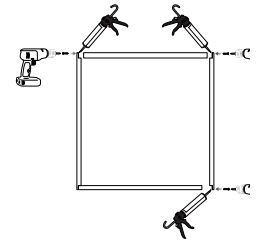
1 Apply sealant over foam gasket on jamb where it will contact the sill.



2 Fasten with 3, #8 x 2" flat head screws (included) in each location using pre-drilled holes.



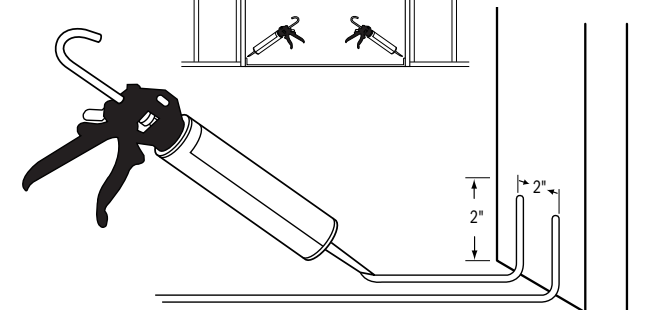
3 Repeat in other 3 corners. Make sure tracks line up.



Silver Line strongly recommends that you use a membrane or vinyl-based sill pan to ensure a weathertight seal. Follow the sill pan manufacturer's installation instructions.

Step 12

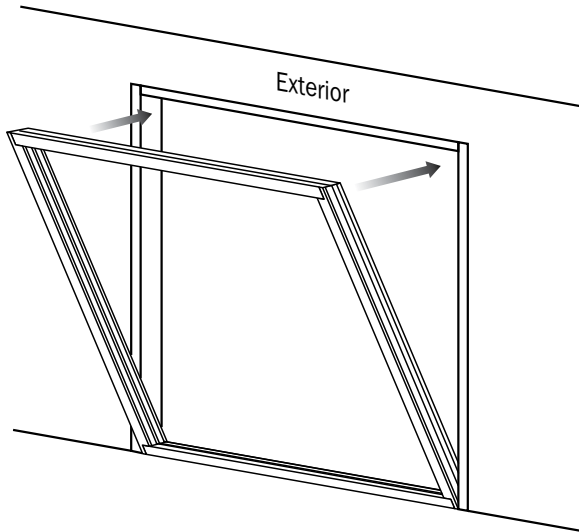
Apply two 1/4" beads of sealant to sill and 2" up each side of rough opening.



Step 13

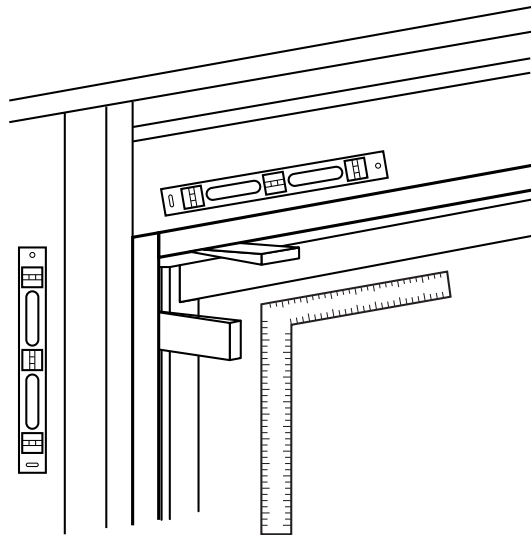
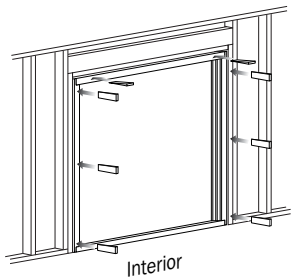
Place frame into the opening from the exterior. Place sill of frame into place, then tip head into place.

Be certain narrow screen track is on exterior side.



Step 14

Shim behind screw holes so door is plumb, level and square.



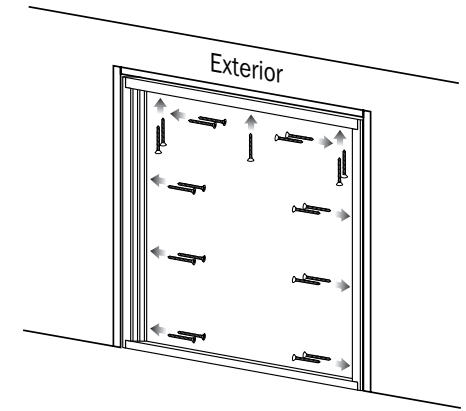
Step 15

Fasten frame.

Attach frame to opening using #8 x 2" pan head screws (included) in all pre-drilled holes in head and jambs.

Apply interior and exterior trim.

Caulk the perimeter of interior and exterior for a weathertight seal.



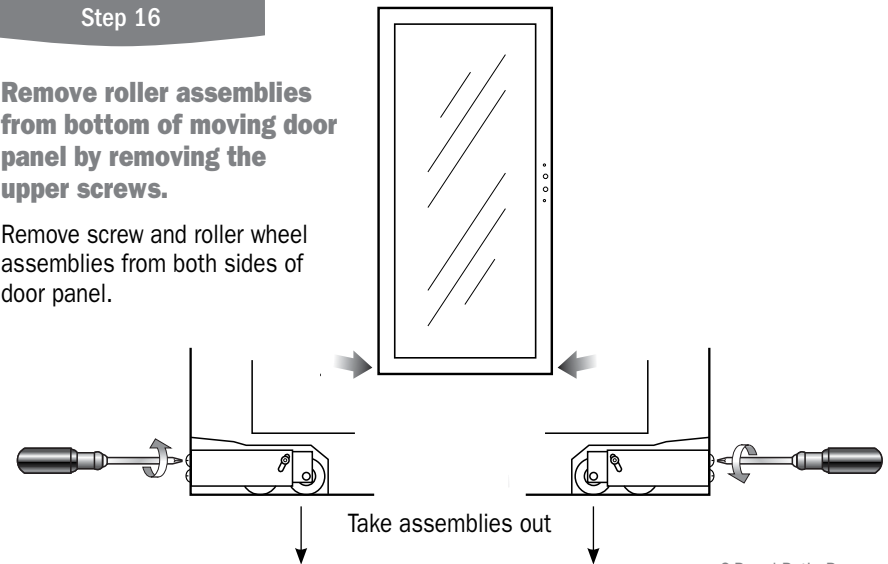
If desired orientation of moving and fixed panels is correct, move to step 20. If other orientation is desired, proceed to step 16.

To Change Orientation of Operating Panel - Optional
(Move To The Left or To The Right)

Step 16

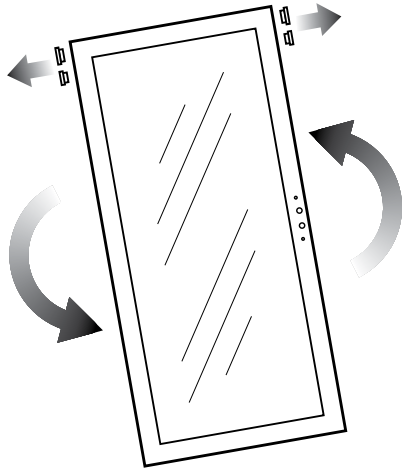
Remove roller assemblies from bottom of moving door panel by removing the upper screws.

Remove screw and roller wheel assemblies from both sides of door panel.



Step 17

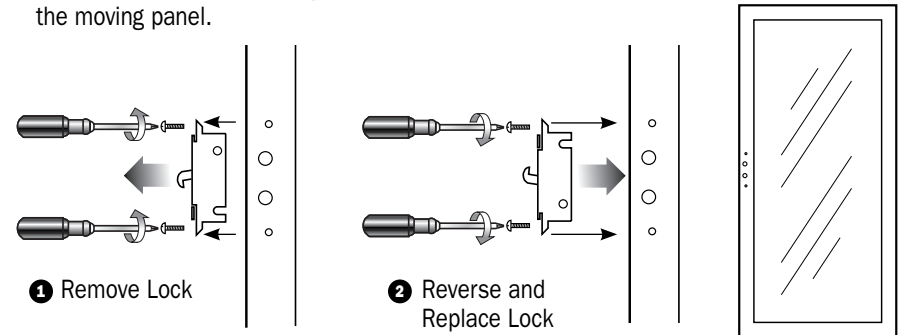
Remove the screw covers from the top of the panel and rotate the panel.



Step 19

Reverse the mortise lock so that the hook is facing up.

NOTE: Be certain to hold onto the hook while removing the mortise lock to prevent it from falling into the moving panel.

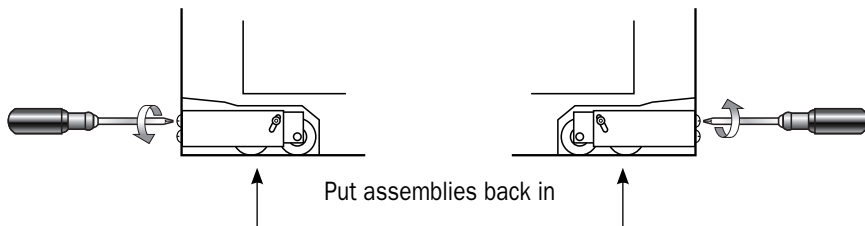
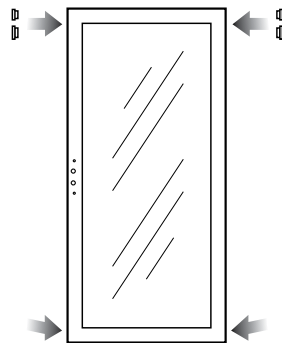


1 Remove Lock

2 Reverse and Replace Lock

Step 18

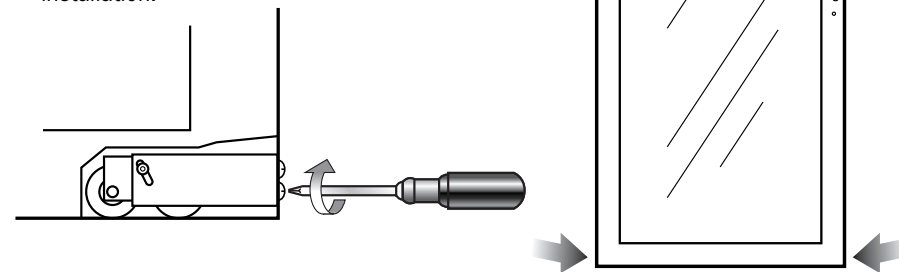
Replace the roller assemblies in the “new” bottom of the door panel and put screw covers into top of door panel.



Step 20

Retract rollers on moving panel.

Turn lower screws clockwise to raise rollers to prevent damage during installation.

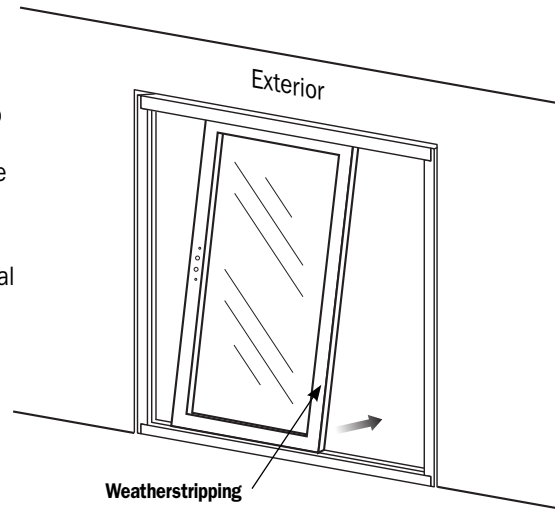


Step 21

Install moving panel from the exterior.

Place top of moving panel into interior track, then gently set bottom of panel in place in the interior track.

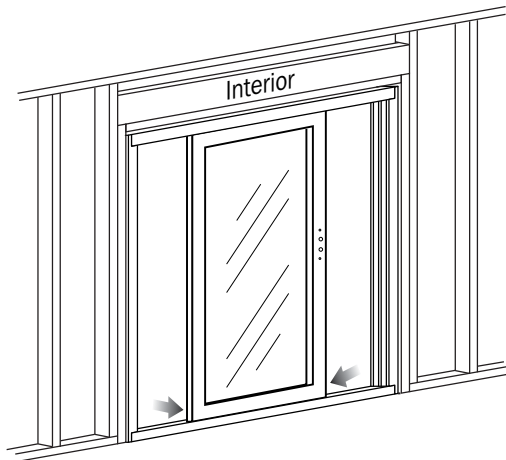
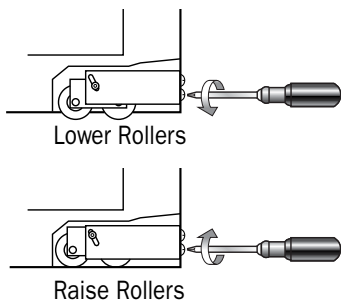
NOTE: Be sure that the weatherstripping on the vertical interlock faces the exterior.



Step 22

Adjust moving panel rollers.

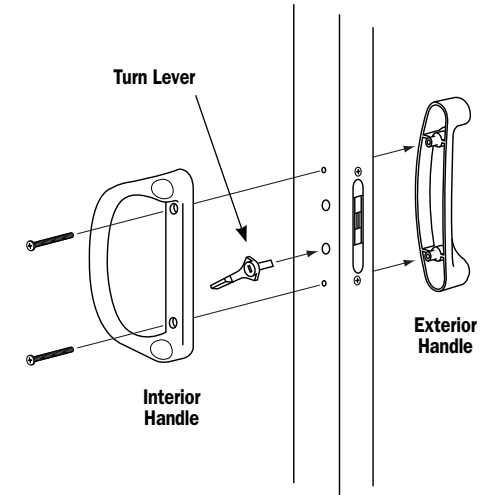
Lift door panel slightly to minimize weight on rollers. Turn lower screws to adjust rollers so that door panel is plumb with frame and door slides smoothly.



Step 23

Install handle and lockset on moving panel.

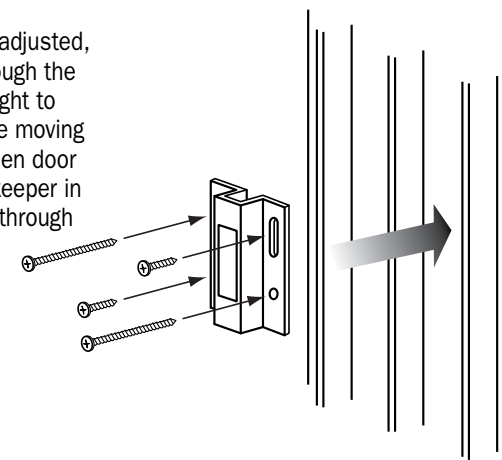
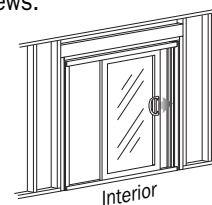
- 1 Place turn lever into bottom, larger hole on interior of moving panel.
- 2 Place larger interior handle and smaller exterior handle onto door with grips toward glass. NOTE: Optional keyed handle set should be installed so key is on exterior.
- 3 Fasten with 2 long screws included with handles.



Step 24

Install keeper on jamb.

- 1 After door panel rollers are adjusted, install the 3/4" screws through the slots on the keeper finger tight to allow for adjustments. Close moving panel to check position. When door locks correctly, secure the keeper in place using two, 2" screws through the holes in the keeper.
- 2 Adjust as necessary for smooth operation. Tighten screws.



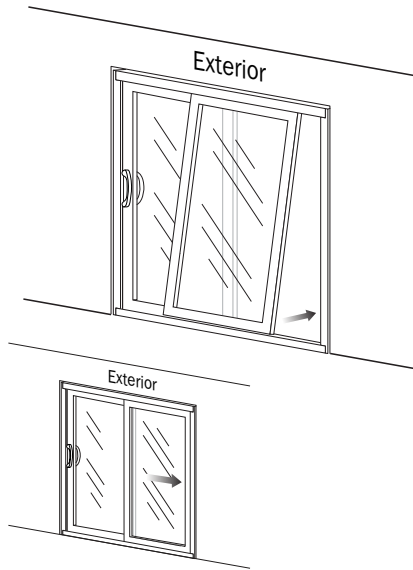
Step 25

Install fixed panel from the exterior.

- 1 Place top of fixed panel into exterior track, then put bottom into position on track.

NOTE: Be sure that the pile weatherstripping interlock faces the interior.

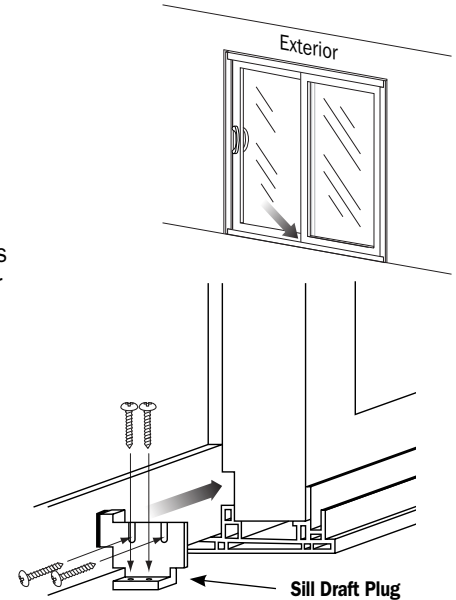
- 2 Close moving panel and lock handle. Slide fixed panel as far as possible into the frame away from the moving panel.



Step 27

Install sill draft plug.

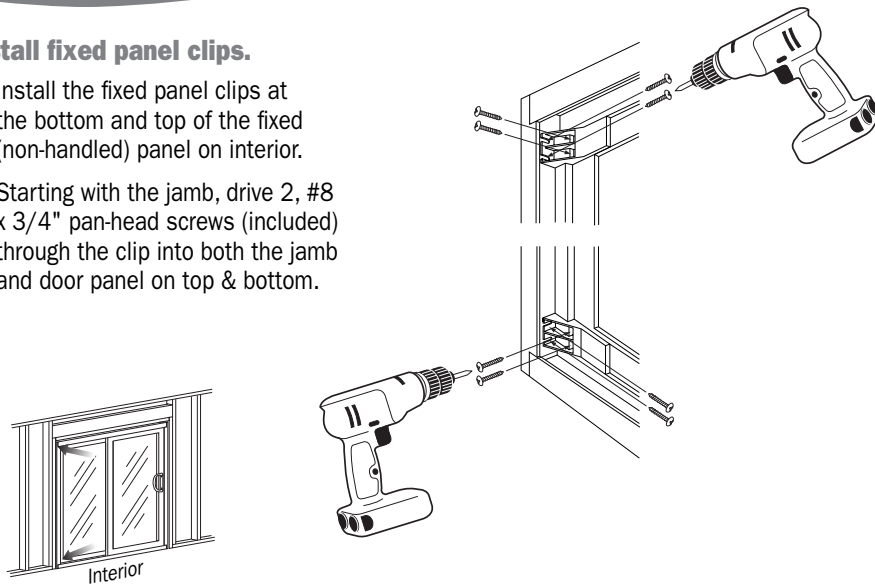
- 1 Select the correct sill draft plug from the 2 supplied so that the pile weatherstripping will face the moving panel.
- 2 Pre-drill (2) 3/32" sill screw holes and apply sealant into holes prior to setting screws.
- 3 Using 2, #8 x 5/8" screws (included) attach plug to fixed panel. Using 2, #8 x 1/2" screws (included) attach plug to sill.
- 4 Apply sealant over the sill screws.



Step 26

Install fixed panel clips.

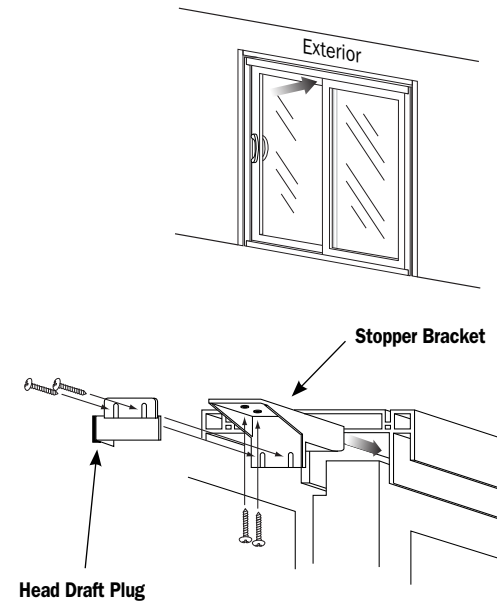
- 1 Install the fixed panel clips at the bottom and top of the fixed (non-handled) panel on interior.
- 2 Starting with the jamb, drive 2, #8 x 3/4" pan-head screws (included) through the clip into both the jamb and door panel on top & bottom.



Step 28

Install stopper bracket and head draft plug.

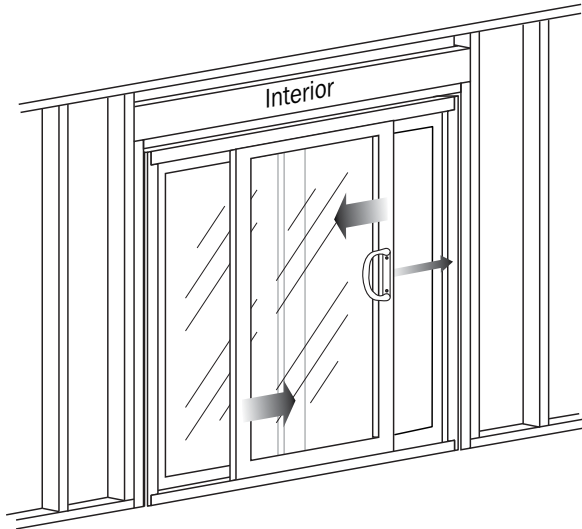
- 1 Select the correct head draft plug from the 2 supplied so that the pile weatherstripping will face the moving panel.
- 2 Using 2, #8 x 5/8" screws (included) attach stopper bracket to head of interior track. Make sure the stopper bracket is firmly seated against the stationary panel.
- 3 Using 2, #8 x 5/8" screws (included) attach head draft plug to stopper bracket and fixed panel.



Step 29

Check movement and adjust.

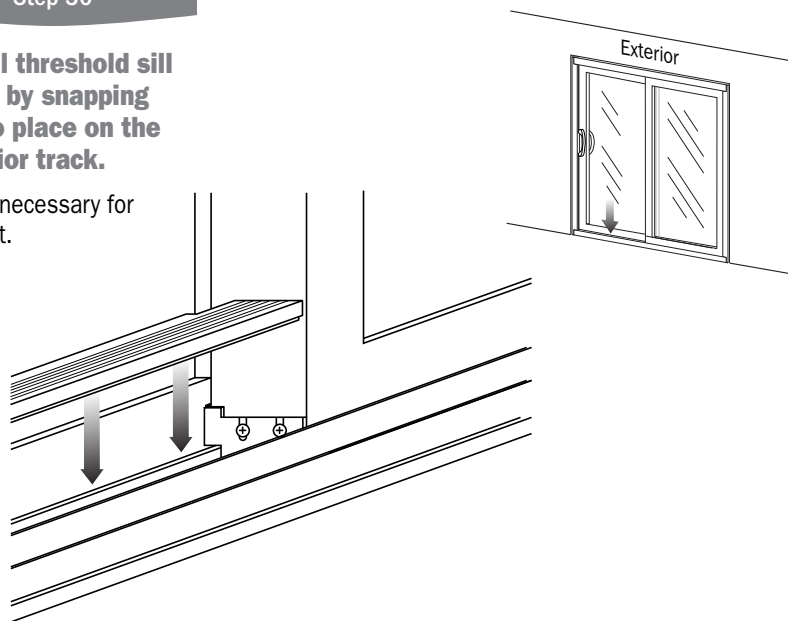
Slide and lock the door several times and check operation of handle and lockset. Adjust rollers, keeper and panel clips as necessary as indicated in Steps 22, 24 and 26.



Step 30

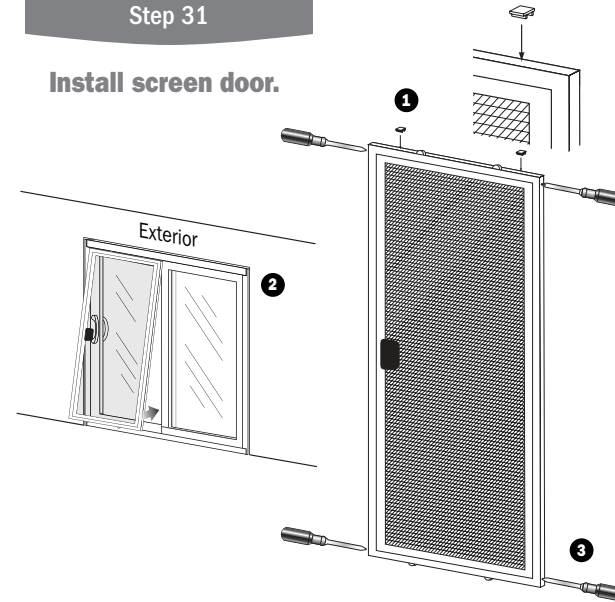
Install threshold sill cover by snapping it into place on the exterior track.

Trim if necessary for snug fit.



Step 31

Install screen door.

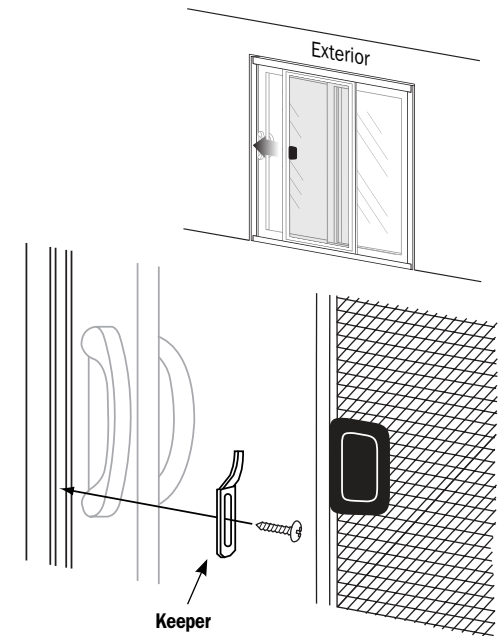


- 1 Put the top 2 guides into place on the top of the screen door.
- 2 Tilt the screen, put the top into the head track, then put the bottom into the sill track.
- 3 Adjust wheels so screen stays on track and operates smoothly.

Step 32

Install screen keeper into jamb track.

- 1 Push screen door handle all the way up. Mark 1/16" below bottom of screen latch with removable tape and transfer the mark to the door frame with removable tape.
- 2 Position top of keeper with mark on door frame. Keeper should be installed with the flange up. Attach keeper using included screw.
- 3 Adjust keeper as necessary to ensure easy latching and releasing.



Questions: Call 800-234-4228

Installation Instructions
Flush Fin Replacement Casement Window