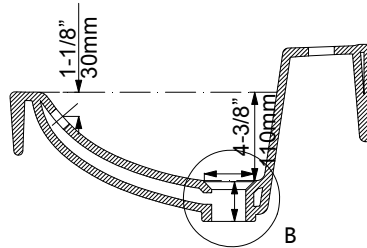
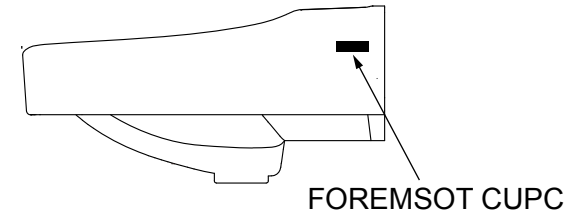
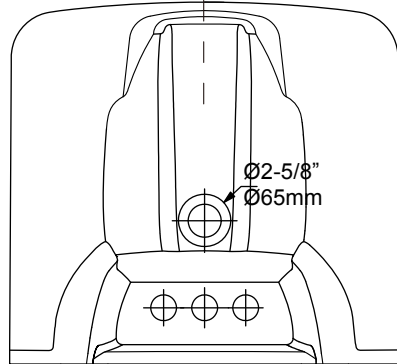
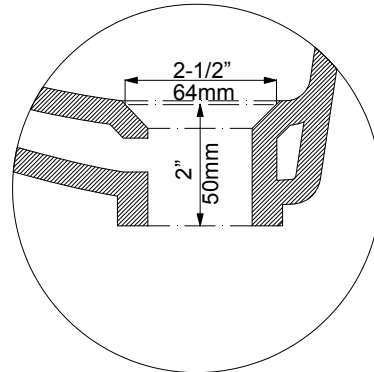


13-0010ADA
Made in china
Manufacture date



B



FOREMSOT CUPC

* This sink is designed to comply with ADA ANSI A117.1 standard when installed in accordance with this measurement. Dimensions of fixtures are nominal and may vary within the range of tolerances established by ANSI standard A112.19.2. These measurements are subject to change or cancellation. No responsibility is assumed for use of superseded or voided pages.

13-0010ADA			
Description	Wall Hung Basin	Tolerance	±5% ≤ 200mm
Material Description	Vitreous China		±3% > 200mm
Dimensions	mm	FOREMOST	
Date	2017-7-6		