

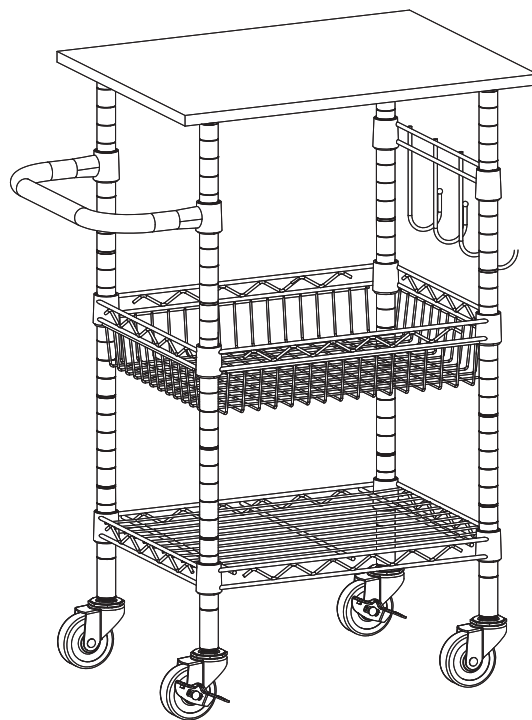
GATEFIELD

Item #1002 949 746

Item #1002 949 751

USE AND CARE GUIDE

GATEFIELD KITCHEN CART



Questions, problems, missing parts?
Before returning to the store, call Customer Service
8 a.m. - 7 p.m., EST, Monday - Friday, 9 a.m. - 6 p.m., EST, Saturday

1-800-466-3337

HOMEDEPOT.COM

THANK YOU

We appreciate the trust and confidence you have placed in Home Depot through the purchase of this kitchen cart. We strive to continually create quality products designed to enhance your home. Visit us online to see our full line of products available for your home improvement needs. Thank you for choosing Home Depot!

Table of Contents

Safety Information 2
Warranty 2
Pre-assembly 3
Assembly 5


Safety Information

READ AND FOLLOW INSTRUCTIONS CAREFULLY

- Two adults are recommended for easy assembly.
- Assemble on a soft surface, such as carpet or cardboard.
- Do not exceed the basket maximum load of 120 lbs.

 **WARNING:** Keep small parts away from children during assembly.

 **WARNING:** Do not step, stand, or climb on unit.

 **WARNING:** Always lock the casters when the unit is stationary.

Warranty

ONE YEAR WARRANTY

WHAT IS COVERED

The manufacturer warrants this kitchen cart to be free of manufacturing defects to the original purchaser for a period of one (1) year from date of purchase.

WHAT IS NOT COVERED

The consumer is responsible for freight and packing charges to and from the service center. This warranty does not cover commercial use, hardware, acts of nature, fire, freezing, or abuse. In addition, purchased parts are not covered under this warranty. The manufacturer reserves the right to make substitutions with similar merchandise if the model in question is no longer in production.

Contact the Customer Service Team at 1-800-466-3337 or visit www.HomeDepot.com.

Pre-assembly

TOOLS REQUIRED

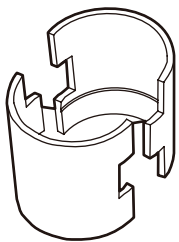


Phillips
screwdriver

HARDWARE INCLUDED



NOTE: Hardware not shown to actual size.



AA

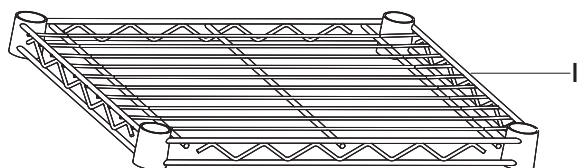
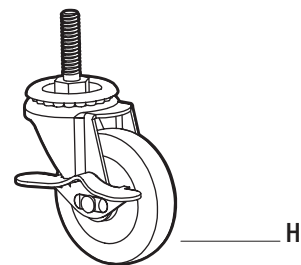
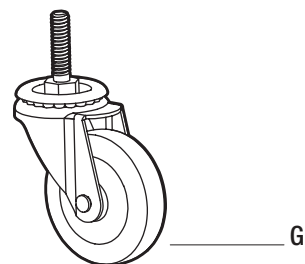
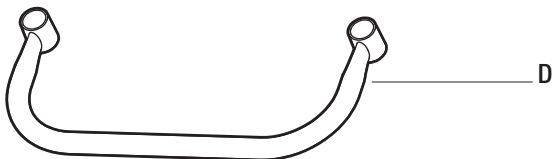
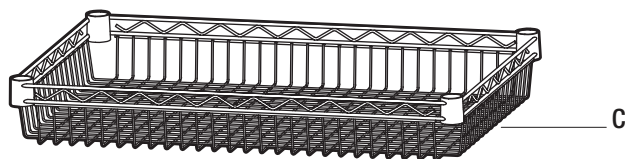
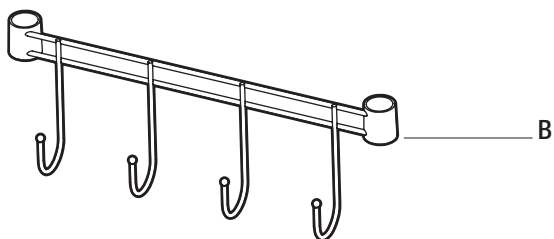
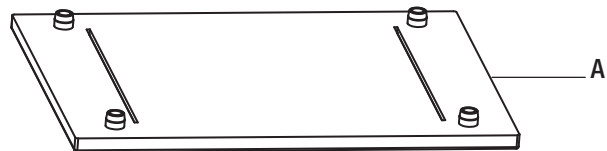


BB

Part	Description	Quantity
AA	Tapered sleeve	24
BB	Screw	4

Pre-assembly (continued)

PACKAGE CONTENTS

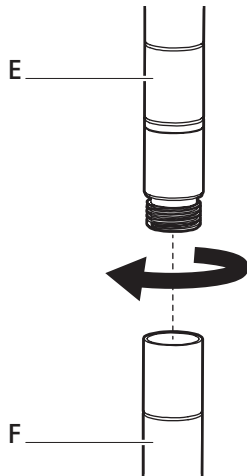


Part	Description	Quantity
A	Wood top	1
B	Hook plate	1
C	Basket	1
D	Handle	1
E	Upper pole	4
F	Lower pole	4
G	Standard wheel	2
H	Locking wheel	2
I	Shelf	1

Assembly

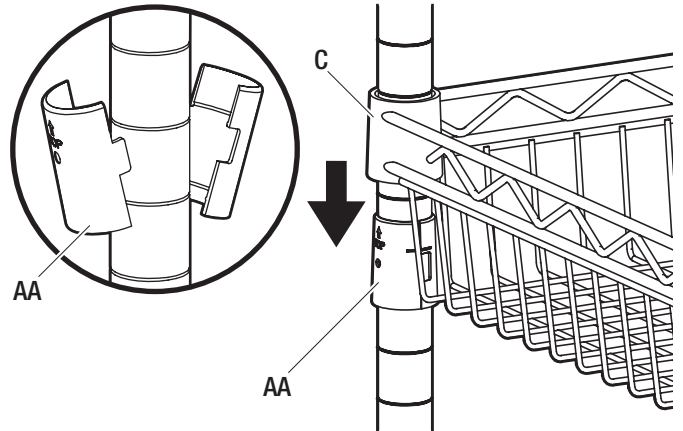
1 Connecting the poles

- Screw the threaded ends of the upper poles (E) into the ends of the lower poles (F).



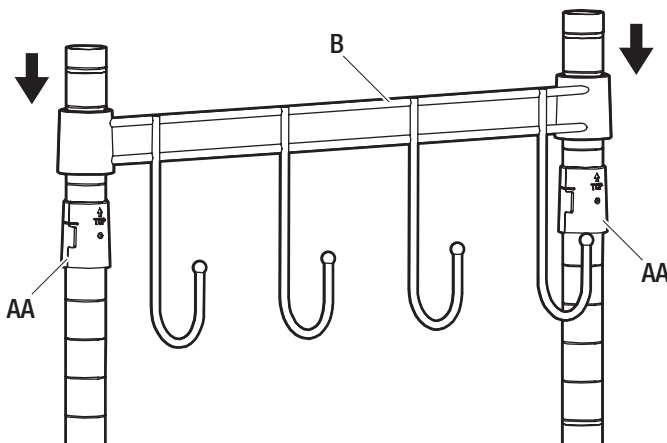
2 Attaching the baskets

- Choose the desired height for the lower basket (C) and snap the tapered sleeves (AA) onto the poles. Ensure that the narrow ends of the tapered sleeves (AA) are pointing up.
- Slide the basket (C) down the poles until there is a snug fit with the tapered sleeves (AA).
- Repeat this procedure to install the shelf (I).



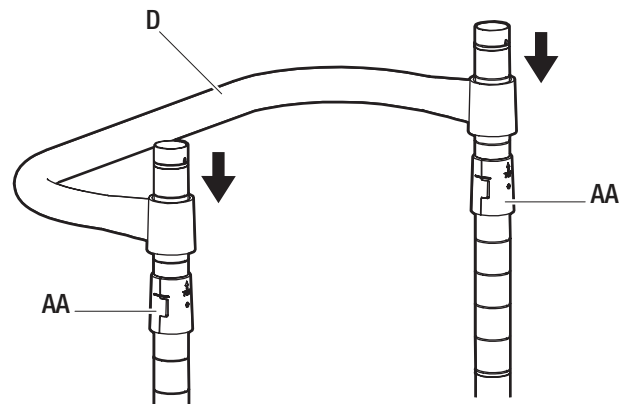
3 Attaching the hook plate

- Choose the desired height for the hook plate (B) and snap the tapered sleeves (AA) onto the poles at one end of the kitchen cart. Ensure that the narrow ends of the tapered sleeves (AA) are pointing up.
- Slide the hook plate (B) down the poles until there is a snug fit with the tapered sleeves (AA).



4 Attaching the handle

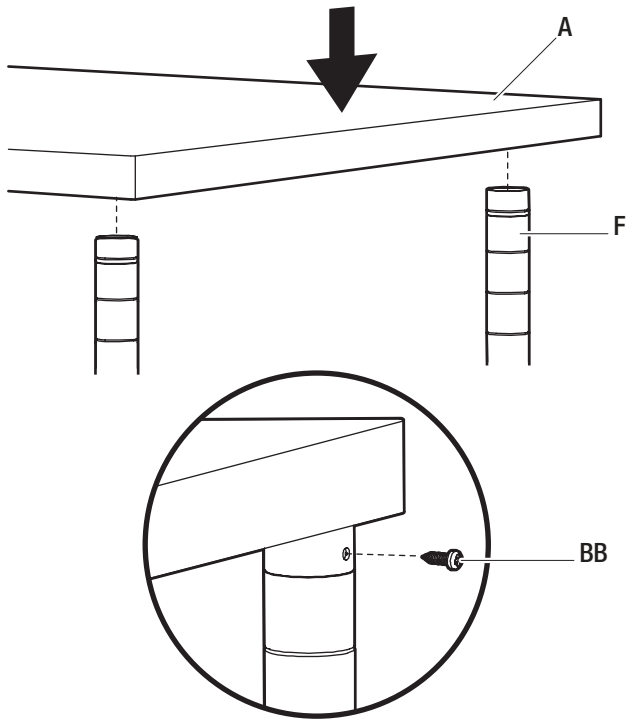
- Choose the desired height for the handle (D) and snap the tapered sleeves (AA) onto the poles at one end of the kitchen cart. Ensure that the narrow ends of the tapered sleeves (AA) are pointing up.
- Slide the handle (D) down the poles until there is a snug fit with the tapered sleeves (AA).



Assembly (continued)

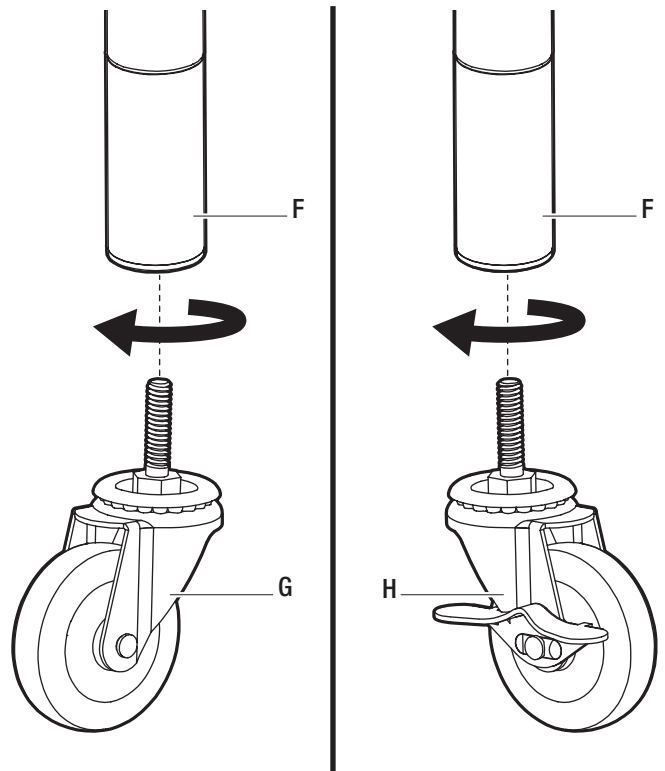
5 Attaching the wood top

- Place the wood top (A) onto the poles. Secure it in place using the screws (BB) provided.



6 Attaching the wheels

- Insert the standard wheels (G) into two of the lower poles (F), diagonal from each other.
- Insert the locking wheels (H) into the remaining two lower poles (F).



Questions, problems, missing parts?
Before returning to the store, call Customer Service
8 a.m. - 7 p.m., EST, Monday - Friday, 9 a.m. - 6 p.m., EST, Saturday

1-800-446-3337

HOMEDEPOT.COM

Retain this manual for future use.