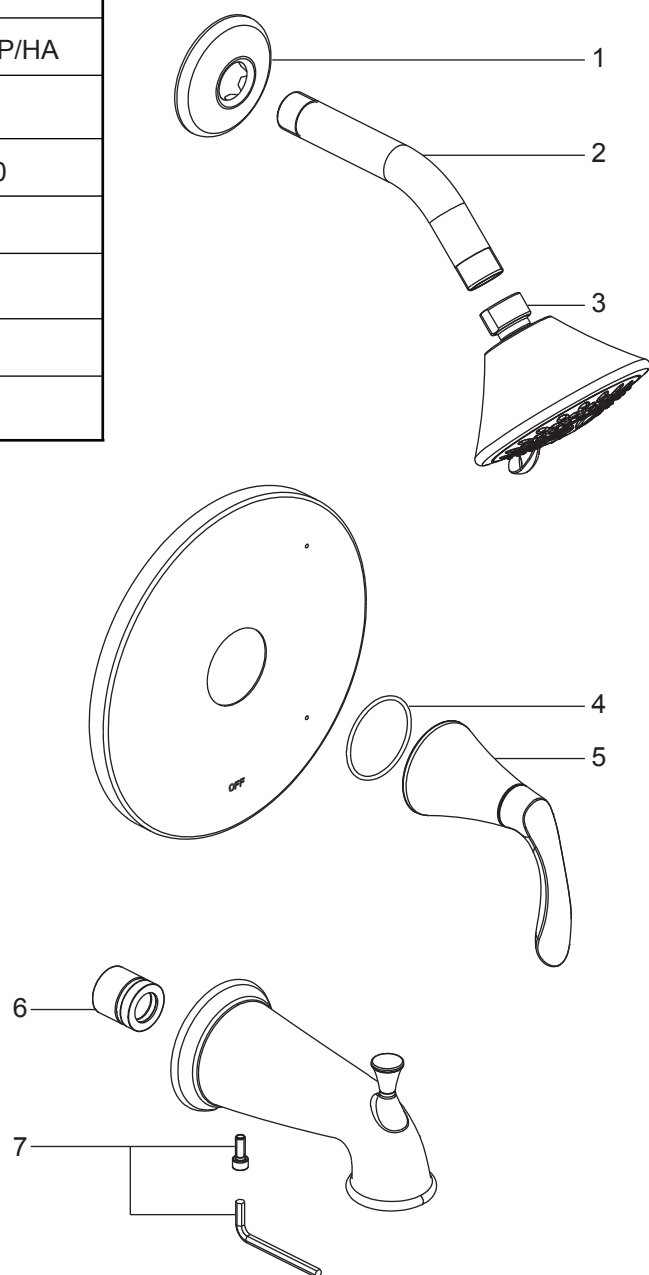


MFF-AMTS-CP
MFF-AMTS-BN
MFF-AMTS-ORB

NO.	Description	Part No.
1	Flange	639789010/5N0C0458AP/HA
2	Shower Arm	5P0011500CP/AP/HA0
3	Showerhead	5F0M023902CP/AP/HA0
4	O-ring	5R0R0175PL
5	Handle Assembly	5Y0193600CP/AP/HA0
6	Connector Assembly	5Y0195200NT0
7	Screw & Hex Wrench (4mm)	5Y0195100NT0



Arts et Metiers Collection

Single-Handle Tub and Shower Trim

Installation/Installation/Instalación

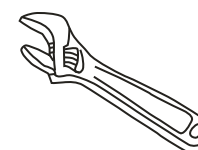


CUSTOMER SERVICE
TOLL-FREE 1-877-482-5422

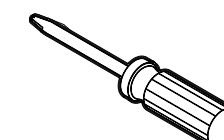
MFF-AMTS-CP - Polished Chrome
MFF-AMTS-BN - PVD Brushed Nickel
MFF-AMTS-ORB Oil Rubbed Bronze



Tools You Will Need / Outils dont vous aurez besoin / Herramientas necesarias



Adjustable Wrench
 Clé à molette
 Llave ajustable



Phillips Screwdriver
 Tournevis Phillips
 Destornillador cruciforme



Pipe Tape
 Ruban pour tuyau
 Cinta selladora para rosca

SAFETY TIPS

- If you use soldering for the installation of the faucet, the seats, cartridges and washers will have to be removed before using flame. Otherwise, warranty will be void on those parts.
- Cover your drain to avoid losing parts.
- 0°C~55°C.

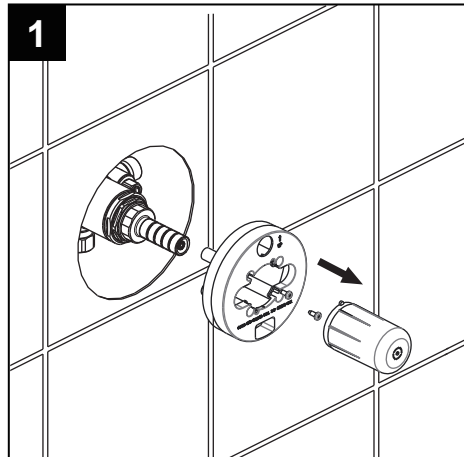
CONSIGNES DE SÉCURITÉ

- Si vous posez le robinet par brasage, il est essentiel de retirer les sièges, les cartouches et les rondelles avant d'appliquer la flamme, faute de quoi la garantie sur ces pièces sera annulée.
- Couvrez le drain pour ne pas perdre des pièces.
- 0°C~55°C.

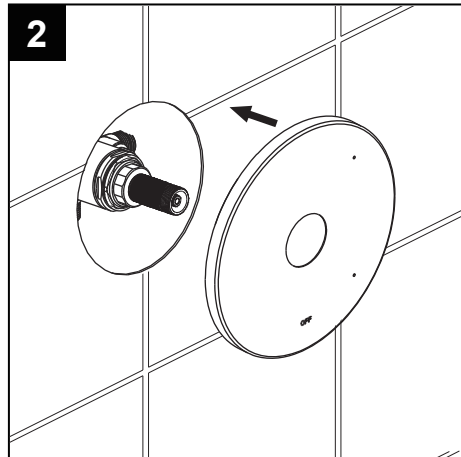
CONSEJOS DE SEGURIDAD

- En el caso de utilizar soldadura para instalar el grifo, remueva los asientos, cartuchos y arandelas antes de usar la llama. De lo contrario, se anulará la garantía para esos componentes.
- Tape la boca del desagüe para prevenir la pérdida de piezas pequeñas.
- 0°C~55°C.

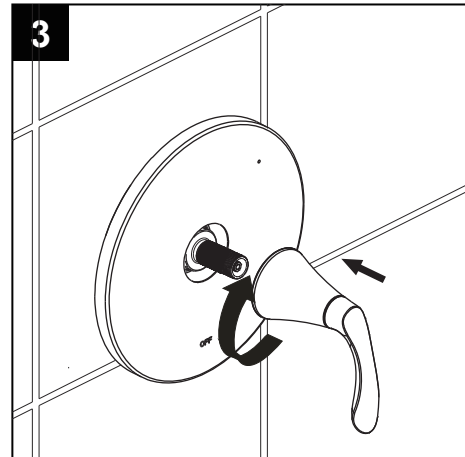
**MFF-AMTS-CP
MFF-AMTS-BN
MFF-AMTS-ORB**



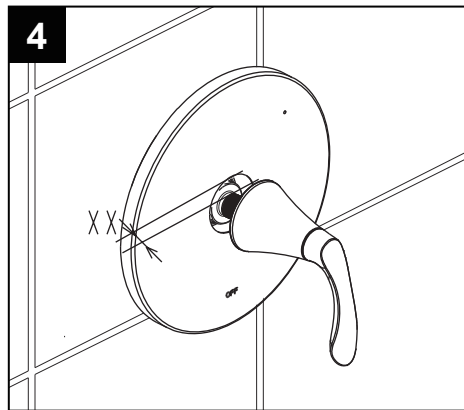
Remove the mud guard.



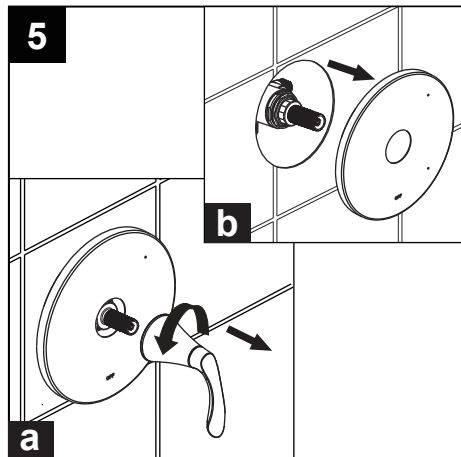
Carefully slide the escutcheon onto the valve.



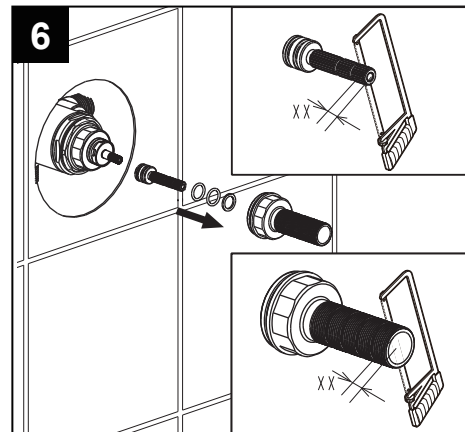
Place handle assembly on valve and rotate clockwise to secure escutcheon.



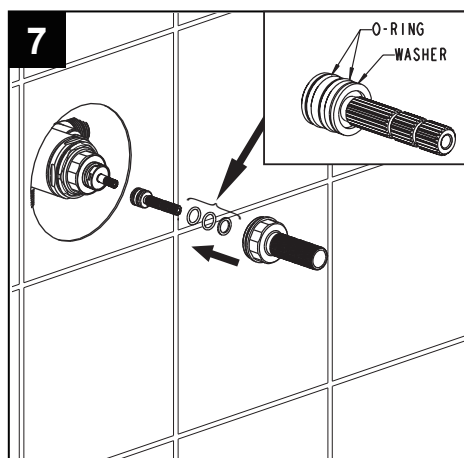
If handle assembly will not secure escutcheon to the wall, measure and note the distance 'XX' (the distance between the bottom of the handle assembly and the escutcheon)



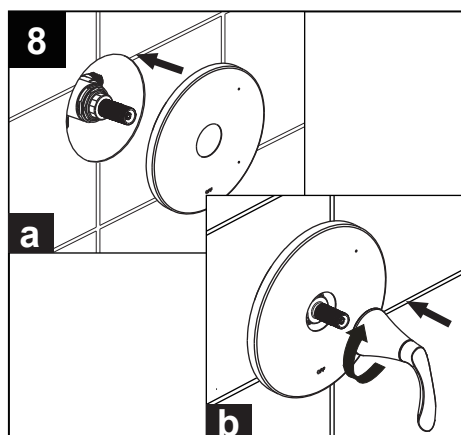
Unscrew the handle assembly counterclockwise from valve and remove the escutcheon.



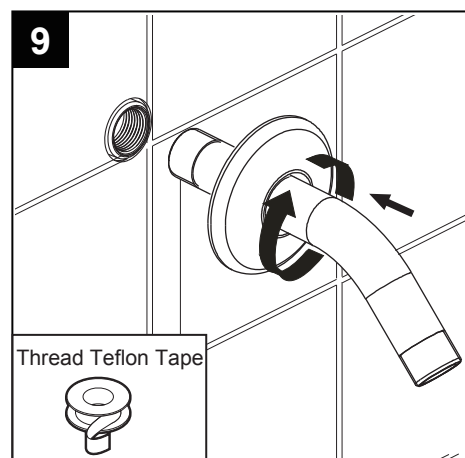
Cut stem and nipple the amount noted in step # 4. (Never cut the stem and nipple while still on the valve. This may damage the valve.)



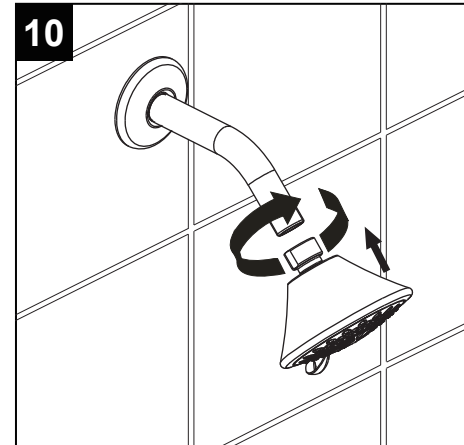
Re-install the trimmed stem and nipple on the valve.



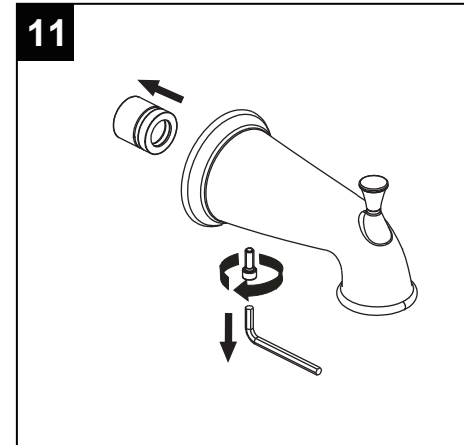
Carefully slide the escutcheon onto the valve and place handle assembly on valve and rotate clockwise to secure escutcheon.



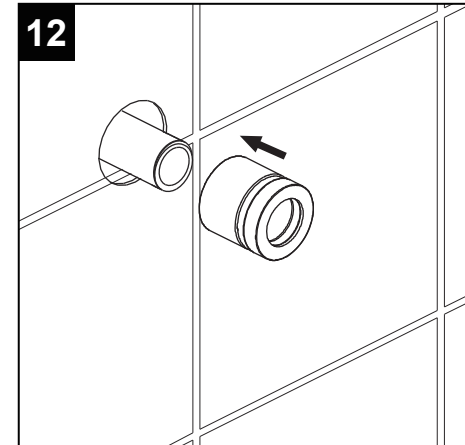
Apply teflon tape to the shower arm and thread clockwise onto the nipple. Then slide the flange down.



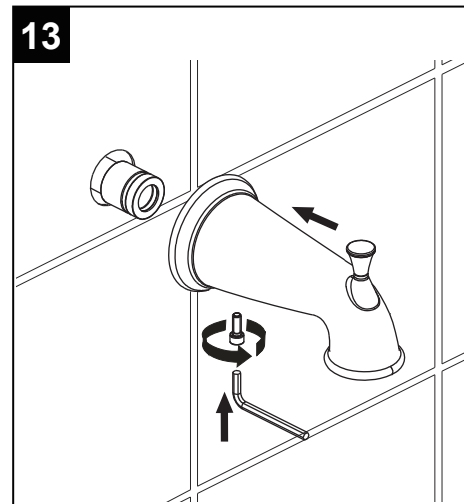
Thread the shower head clockwise onto the shower arm.



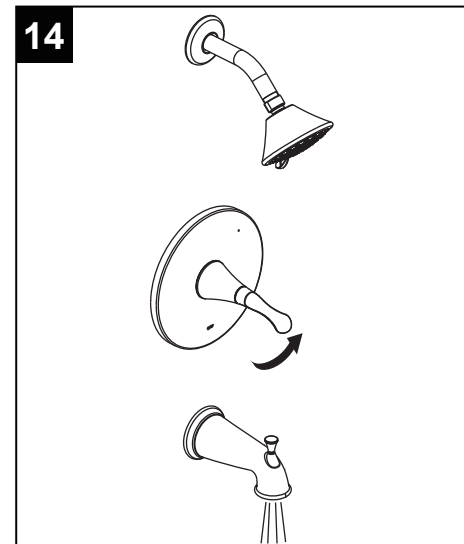
Unscrew the screw counterclockwise from the spout and remove the connector assembly.



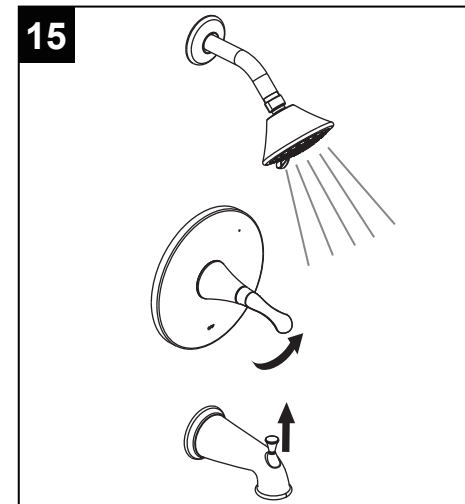
Put on the connector assembly onto the tub spout nipple.



Install the spout onto the connector, and thread the screw clockwise to fix the spout.



Turn on the handle and check the function of the spout.



Pull up on the lift knob of the spout. Check the diverter function.