

decora® Rocker Slide Universal Dimmers and Fan Speed Control

APPLICATION

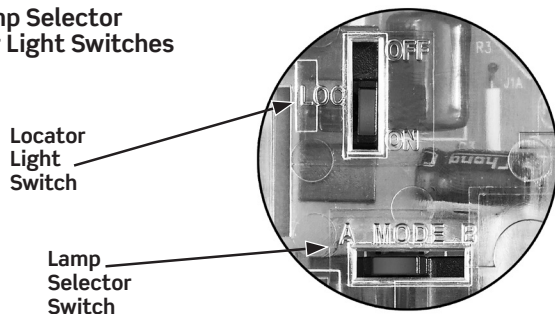
Leviton Decora Rocker Slide Universal Dimmers provide smooth, slide-action, full-range dimming for incandescent, dimmable LEDs, dimmable CFLs, halogen and magnetic low voltage (MLV) loads. The Decora Fan Speed Control offers 1.5 amps of quiet fan speed control with user adjustable low, medium and high settings. Quiet fan speed controls are ideal for libraries, home offices, bedrooms and any area where ceiling fan noise could become distracting.

With a new, streamlined style, Decora dimmers and fan speed control complement any interior design and are compatible with other Decora devices.

DIMMER FEATURES AND BENEFITS

- New aesthetically pleasing design with rocker switch and slender dimmer control slide bar
- Integrated linear full-range slide control for easy, precise operation
- Future-proof to control a variety of dimmable LED and CFL lamps
- Compatible with incandescent and halogen lamps
- Single pole/3-way is standard; packaged with White, Ivory, and Light Almond color change kits
- Additional color change kits available in Black, Brown, Red and Gray
- Slim, compact housing fits easily into a standard wallbox and is suitable for multi-gang installations with other Decora products
- Features a separate ON/OFF switch that preserves the selected brightness setting
- Microprocessor control offers flexibility to program LEDs and CFLs for best performance (DSL06 and DSM10)
- User-friendly locator light option switch (DSL06 and DSM10)
- No fins for multi-gang installation
- DSL06 has screw terminals with back wire capability for easier installation
- Built-in radio/TV interference filter

Dimmer Lamp Selector and Locator Light Switches



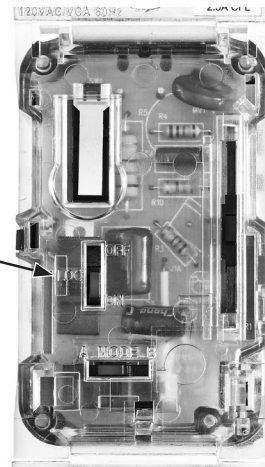
Lamp Selector Switch

DSL06 and DSM10 dimmers have a lamp selector switch that is pre-set at the factory to Mode A (LED/Incandescent). For CFL lamp applications the switch should be moved to Mode B (CFL).

- **MODE A - LED/Incandescent:** The selector switch is pre-set at the factory to this mode. Use this mode for dimmable LED lamps and incandescent/halogen lamps
- **MODE B - CFL:** To be used for dimmable CFL lamps only. In this mode the dimmer provides a pre-set kick-start to aid the lamp in starting
- The lamp selector switch also allows the user to adjust the minimum light level when dimming



DSL06



Locator Light Switch (LOC)

The LED Locator Light on the device will automatically illuminate when the load is OFF. To disable the Locator Light, move the Locator Light Switch to the OFF position.

SPECIFICATIONS

Electrical for DSL06

- Input 120VAC @ 60Hz
- 600W Incandescent
- 300W (2.5A) LED and CFL
- Single pole and 3-way
- Optional locator light

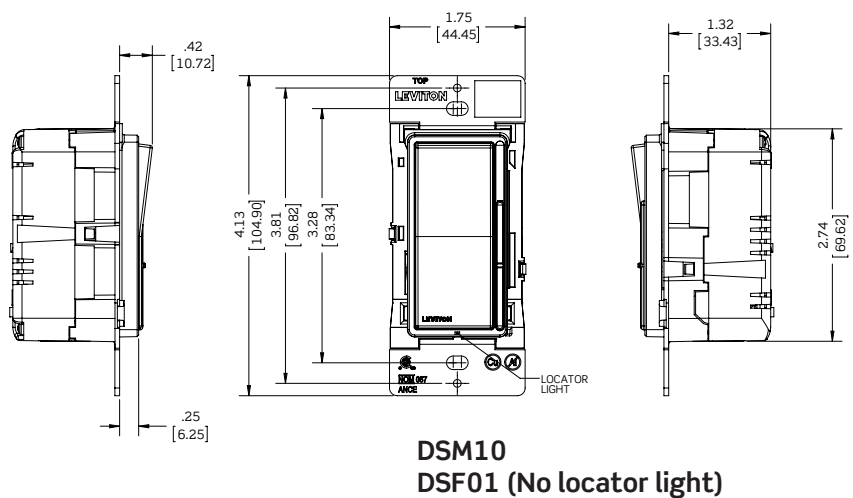
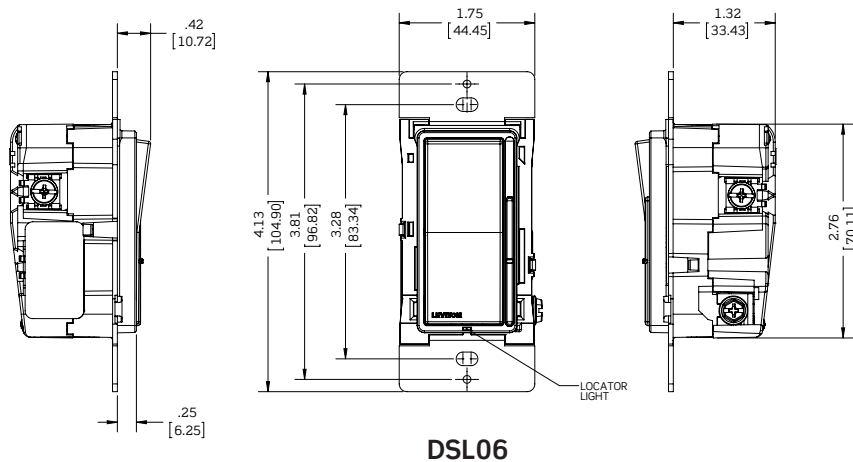
Electrical for DSM10

- Input 120VAC @ 60Hz
- 1000W Incandescent and MLV 1000VA
- 450W (3.75A) LED and CFL
- Single pole and 3-way
- Optional locator light

Electrical for DSF01

- Input 120VAC @ 60Hz
- 1.5A fan speed control
- High, medium and low settings
- Single pole and 3-way

DIMENSIONAL DRAWINGS



TYPICAL SPECIFICATIONS

- Operating Temperature Range: 0°C to 55°C
- Storage Temperature Range: -10°C to 85°C
- Relative Humidity: 20% to 90% non-condensing

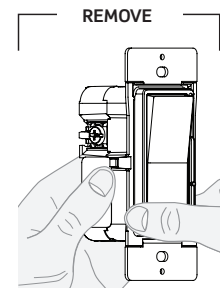
AGENCY STANDARDS AND COMPLIANCE

- cCSAus certified to standard 184.1, complies with UL 1472
- NOM

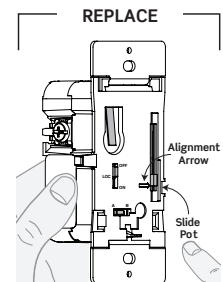
WARRANTY INFORMATION

Five-Year Limited Warranty

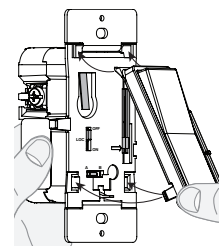
Color Change Kit



Press the side of the color kit at either bottom tab and pull forward to release.



Align slide pot with alignment arrow as shown. Move the slide bar of the color kit to the bottom.



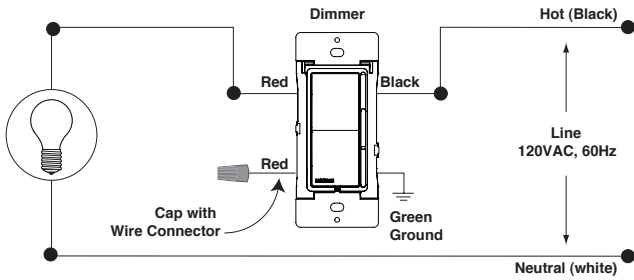
Insert top tabs of the color kit into the slots on the top of the dimmer. Then press the bottom of the color kit in until it snaps into place.

Leviton Mfg. Co., Inc.

201 North Service Road, Melville, NY 11747 Tech Line: 1-800-824-3005 Fax: 1-800-832-9538 www.leviton.com
© 2014 Leviton Manufacturing Co., Inc. All rights reserved. Subject to change without notice.

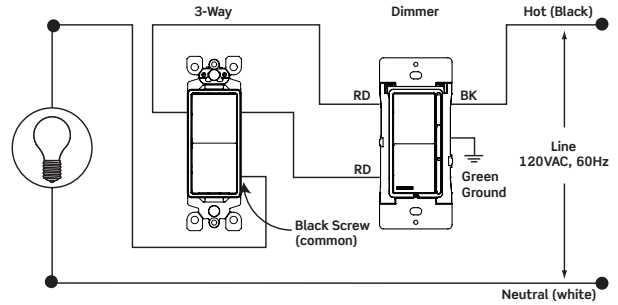
WIRING DIAGRAMS

Single Pole



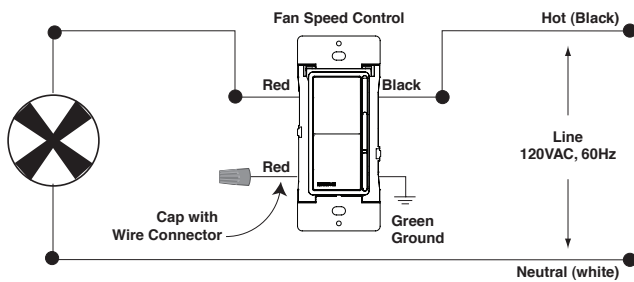
Cat. No. DSL06
Cat. No. DSM10

3-Way



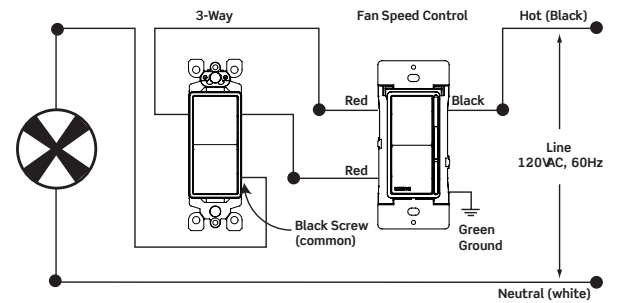
Cat. No. DSL06
Cat. No. DSM10

Single Pole



Cat. No. DSF01

3-Way



Cat. No. DSF01

ORDERING INFORMATION

CAT. NO.	DESCRIPTION	RATING	COLOR
DSL06	Incandescent, LED, CFL dimmer with optional locator light and screw terminals	600W Incandescent 300W LED/CFL	Z
DSM10	Incandescent, MLV, LED, CFL dimmer with optional locator light and leads	1000W Incandescent/ 1000VA MLV 450W LED/CFL	Z
DSF01	Quiet Fan Speed Control and leads	1.5A	Z

Z- Comes packaged with three colors: White, Ivory and Light Almond.

Leviton Mfg. Co., Inc.

201 North Service Road, Melville, NY 11747 Tech Line: 1-800-824-3005 Fax: 1-800-832-9538 www.leviton.com

© 2014 Leviton Manufacturing Co., Inc. All rights reserved. Subject to change without notice.

Leviton Manufacturing Co., Inc.

201 North Service Road, Melville, NY 11747-3138

Telephone: 1-800-323-8920 • Fax: 1-800-832-9538 • Tech Line: (8:30AM-7:00PM E.T. Monday-Friday): 1-800-824-3005

Leviton Manufacturing of Canada, Ltd.

165 Hymus Boulevard, Pointe Claire, Quebec H9R 1E9 • Telephone: 1-800-469-7890 • Fax: 1-800-563-1853

Leviton S. de R.L. de C.V.

Lago Tana 43, Mexico DF, Mexico CP 11290 • Tel. (+52) 55-5082-1040 • Fax. (+52) 5386-1797 • www.leviton.com.mx

Decora is a registered trademark of Leviton Manufacturing Co., Inc.

Visit our website at www.leviton.com/universal

© 2014 Leviton Manufacturing Co., Inc. All rights reserved. Subject to change without notice.



G-9242/H14-dp