

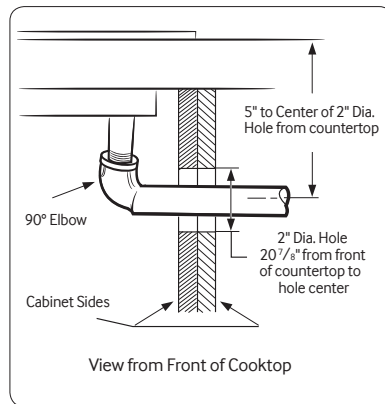
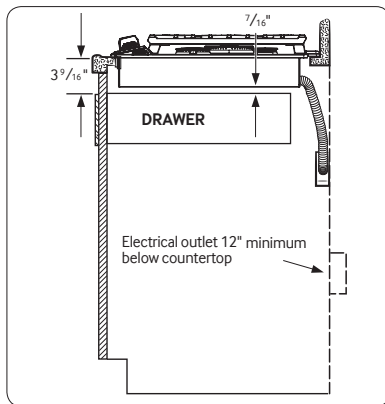
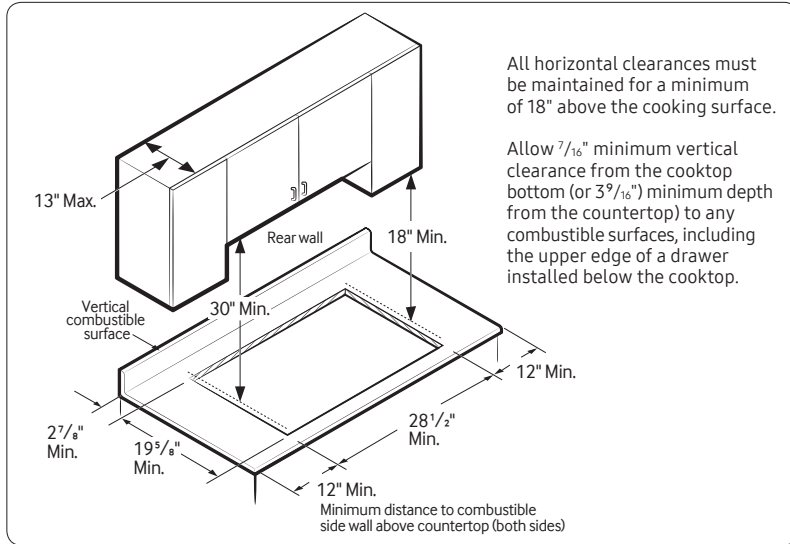
# NA30N6555TS

SAMSUNG

## 30" Gas Cooktop

### Installation Requirements

Countertop cut-out and minimum clearance dimensions:



### Total Power (BTU)

56K

### Power Source

120V / 60 Hz / 1A

### Gas Cooktop (BTU)

- Right Front: 13K
- Left Front: 9.5K
- Right Rear: 5K Simmer
- Left Rear: 9.5K
- Center: 19K (Dual)

### Warranty

One (1) Year All Parts and Labor

### Product Dimensions & Weight (WxHxD)

Outside (Max) Cooktop Dimensions:

30" x 5 $\frac{41}{72}$ " x 22 $\frac{1}{3}$ "

Cooktop Cut-Out Dimensions:

28 $\frac{1}{2}$ " x 3 $\frac{1}{8}$ " x 19 $\frac{5}{8}$ "

Weight: 64.8 lbs. (66.4 lbs. Fingerprint Resistant Black Stainless Steel)

### Shipping Dimensions & Weight (WxHxD)

Dimensions: 34 $\frac{11}{16}$ " x 10 $\frac{5}{8}$ " x 25 $\frac{5}{8}$ "

Weight: 73.0 lbs. (74.3 lbs. Fingerprint Resistant Black Stainless Steel)

### Color

Stainless Steel

### Model #

NA30N6555TS

### UPC Code

887276281681

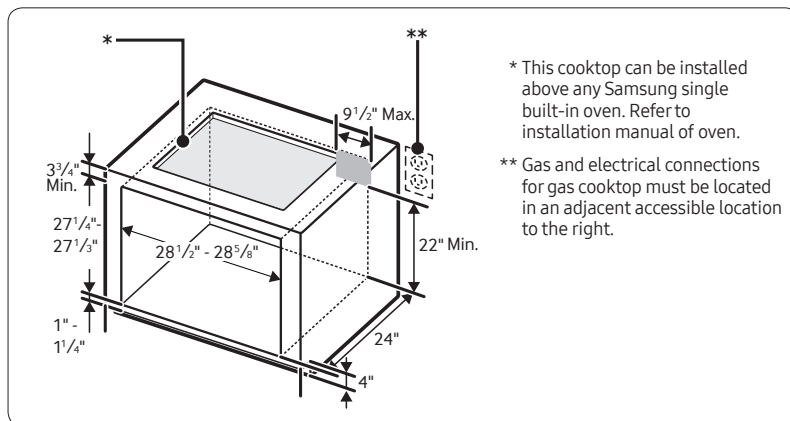
Fingerprint Resistant

Black Stainless Steel

NA30N6555TG

887276281674

### Installing Over a Single Oven



### Cooktop Dimensions

