



Count on it.

Parts Catalog

TimeCutter® MX 5075

Riding Mower

Model No. 75755—Serial No. 400000000 and Up

Model No. 75755TA—Serial No. 400000000 and Up



Ordering Replacement Parts

To order replacement parts, please supply the part number, the quantity, and the description of each part desired.

Understanding Reference Numbers

Each identified part in an illustration has a reference number. The reference number for a part also appears in the parts list, along with other information about the part.

This catalog uses two special reference number formats, one to indicate parts in a service assembly and another to indicate the quantity of a given part in an illustration.

Service Assembly Reference Numbers

Parts in service assemblies have reference numbers in the form a:b. The a represents the reference number of the entire service assembly and the b represents a sequential number unique to each part within the service assembly.

For example, a wheel assembly might be identified by reference number 6, the tire by 6:1, the valve by 6:2, and the wheel by 6:3. When you order the assembly identified by reference number 6, you receive all parts identified by reference numbers 6:1, 6:2, and 6:3. However, you may also order any part individually. Reference numbers of this type appear in illustration and in parts lists.

Reference Numbers Indicating Quantity

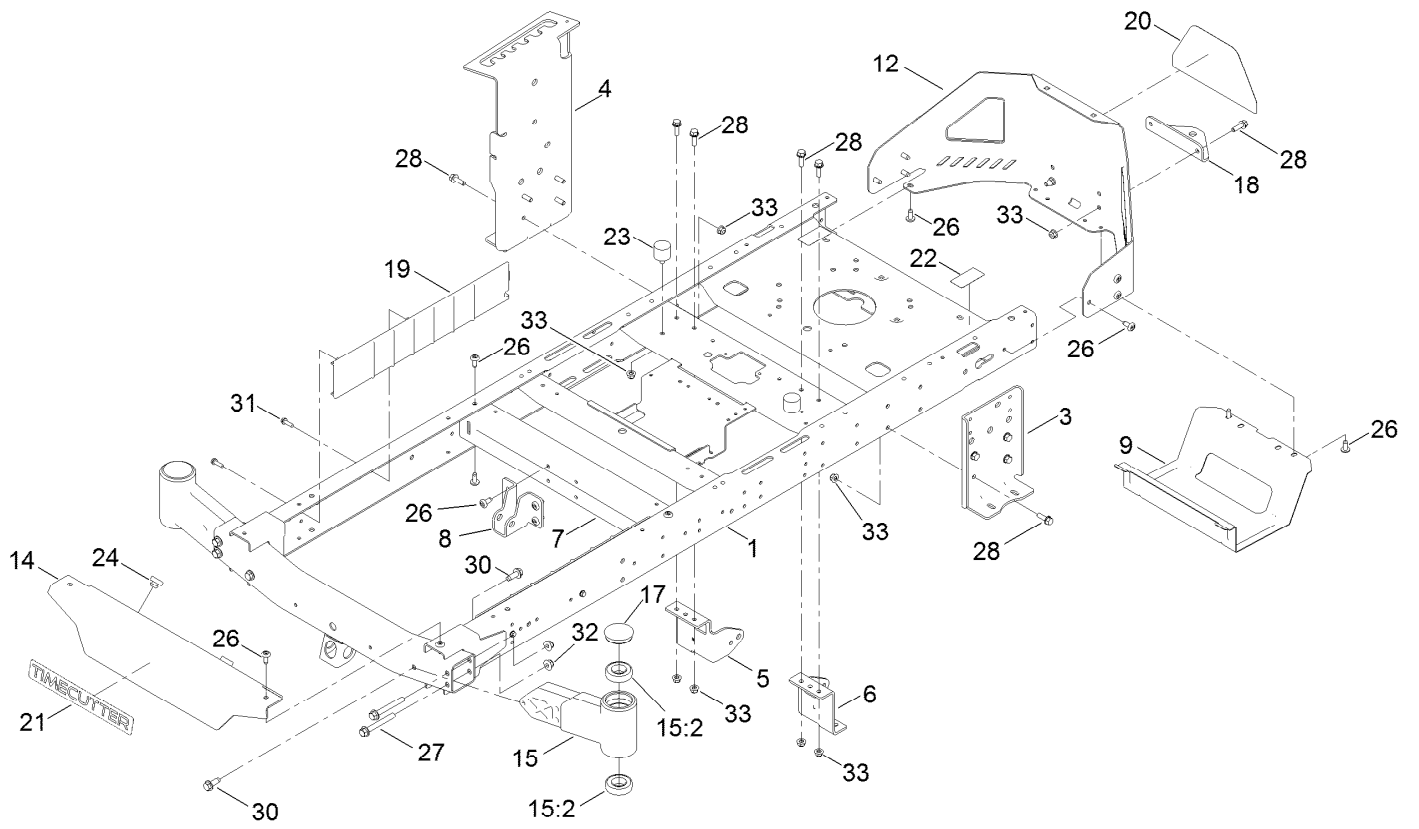
In an illustration, if a reference number indicates more than one part, the reference number has the form nX y. The n represents the quantity of the part, the X is the multiplication symbol, and the y represents the reference number.

For example, in an illustration, the reference number 2X 37 means that two of the parts identified by reference number 37 are indicated.

Contents

Frame Assembly	4
Deck Lift Assembly	6
Tire and Caster Assembly	8
Traction Drive Assembly	10
LH Transaxle Assembly No. 139-7460	12
RH Transaxle Assembly No. 139-7461	14
Brake Assembly	16
Rear Tire Assembly	18
Motion Control Assembly	20
Engine and Muffler Assembly	22
Fuel System Assembly with Non-Canister Style Air Filter	24
Carburetor Assembly	26
Air Intake and Filtration Assembly	28
Ignition and Cooling Fan	30
Crankcase and Crankshaft Assembly	32
Governor Control Assembly	34
Piston and Cylinder Head Assembly	36
Blower Housing Assembly	38
Gasket and Seal Kit	40
Body Styling and Fuel Pod Assembly	42
Electrical Assembly	44
50 Inch Deck Assembly	46
Frame Decal Assembly	48
Seat Pan Assembly	50
Seat Assembly No. 140-5044	52
Clutch Assembly	54
Attachments and Accessories	56

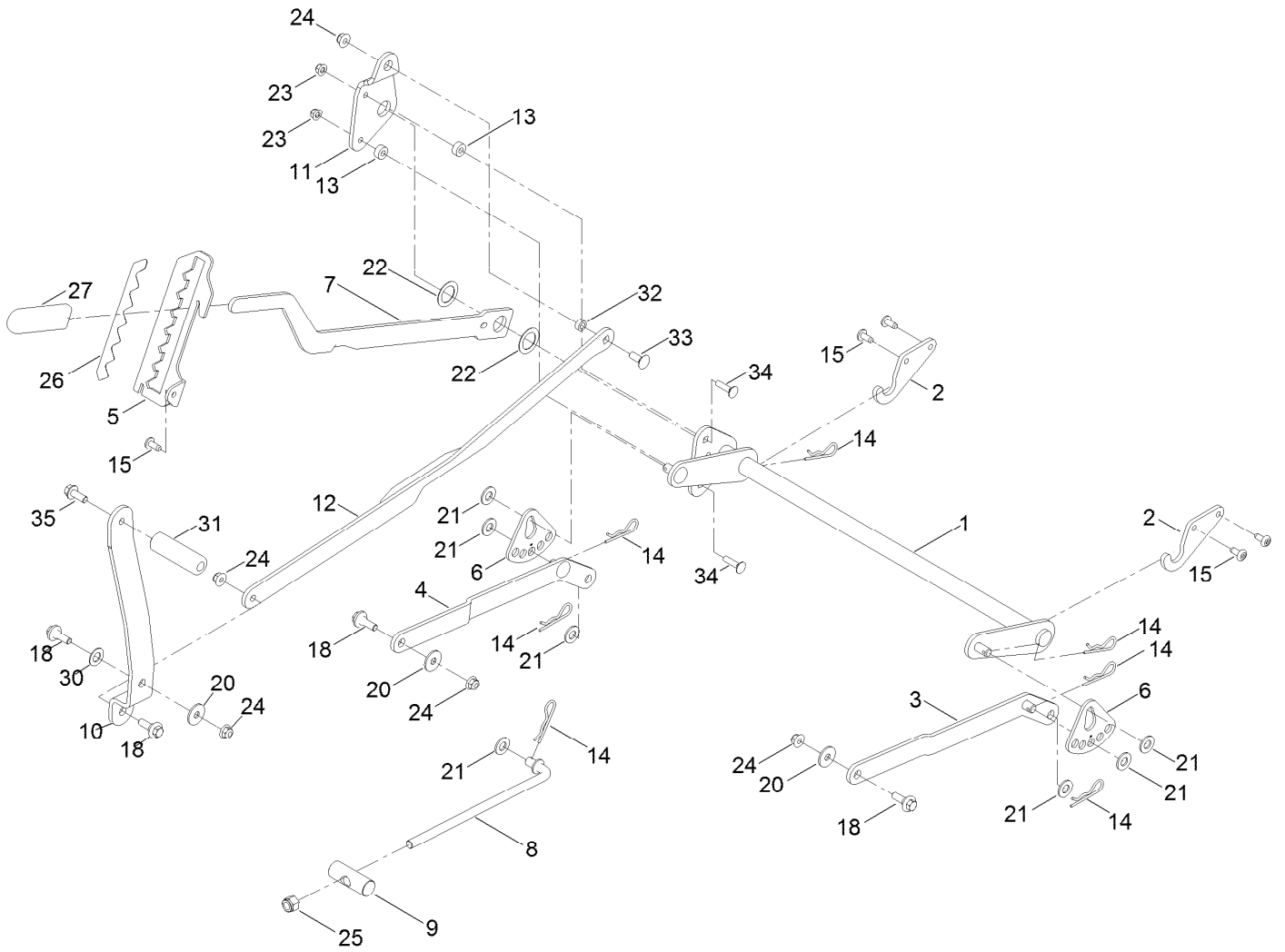
Frame Assembly



Frame Assembly (continued)

<i>Ref.</i>	<i>Part Number</i>	<i>Qty.</i>	<i>Description</i>	<i>Ref.</i>	<i>Part Number</i>	<i>Qty.</i>	<i>Description</i>
1	137-9820-01	1	Frame Assembly	18	117-1232-03	1	Bracket-Hitch
3	138-7520-01	1	Plate-Mount, Hydro	19	138-7516	2	Guard-Rail
4	139-2352-01	1	Plate-Mount Hydro, RH	20	139-5890	1	Decal-Timecutter
5	137-7020-01	1	Mount-Hydro, Front (Right)	21	139-2387	1	Decal-Timecutter
6	139-3211-01	1	Mount-Hydro, Front (Left)	22	121-2989	2	Decal-Bypass
7	138-2527-01	1	Brace-Cross, Lower	23	137-4803	2	Bumper-Rubber
8	139-3260-01	1	Bracket-Mount Damper, Lower	24	140-3460	2	Bumper-Rubber
9	138-0867-03	1	Guard-Muffler	26	138-9753	20	Screw
12	138-9820-03	1	Guard-Engine	27	139-2429	4	Screw-HHF
14	138-7596-01	1	Footrest	28	3234-29	14	Screw-HHF
15	140-2097	2	Axle Stub ASM	30	139-2428	4	Screw-HWH
15:2	109-3678	2	Bearing-Ball	31	46-8091	4	Screw-HWH
17	138-7200	2	Cap-Grease	32	139-2430	4	Nut-HF, NI
				33	104-8300	16	Nut-HF, NI

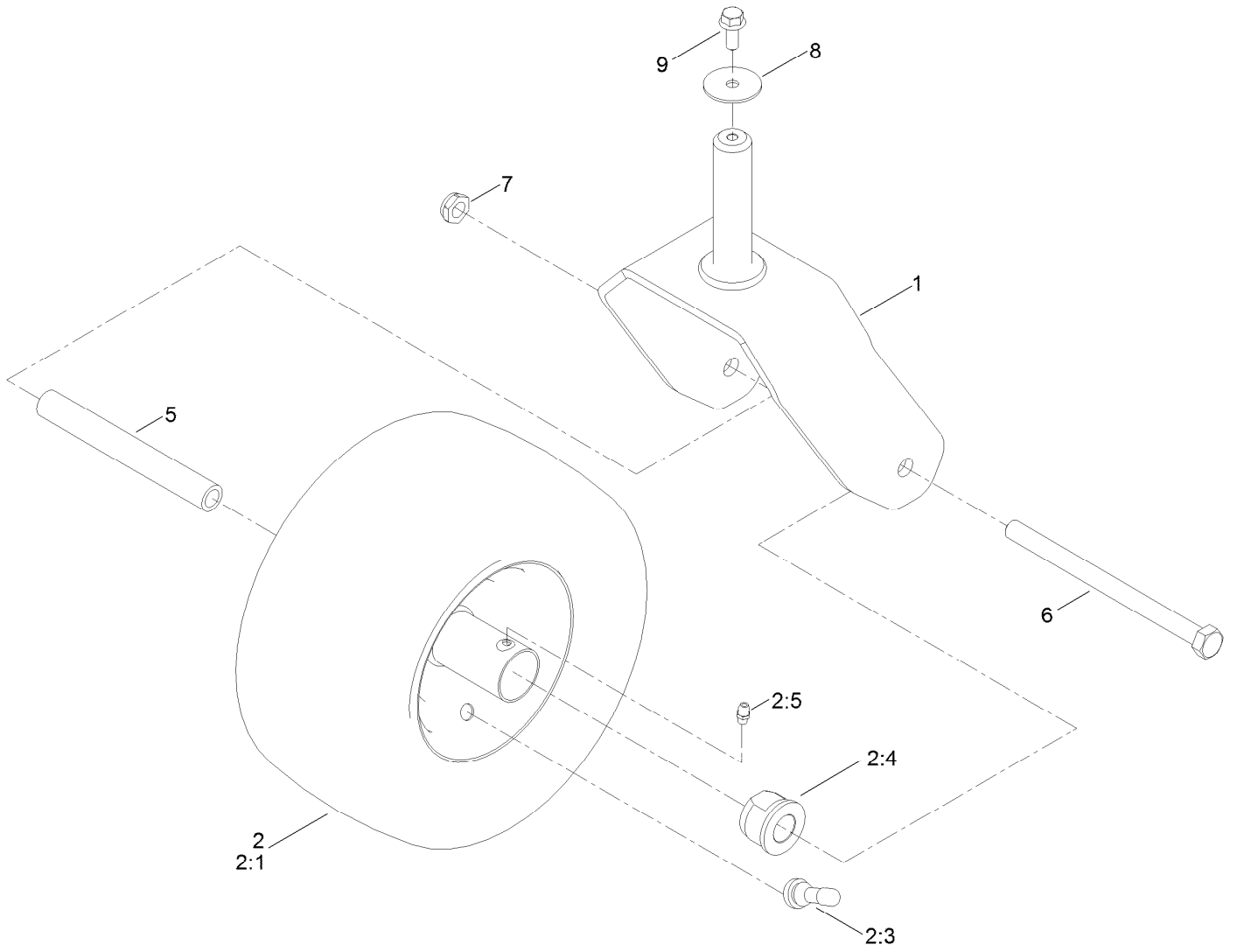
Deck Lift Assembly



Deck Lift Assembly (continued)

<i>Ref.</i>	<i>Part Number</i>	<i>Qty.</i>	<i>Description</i>	<i>Ref.</i>	<i>Part Number</i>	<i>Qty.</i>	<i>Description</i>
1	137-7093-03	1	Deck Lift ASM	18	137-9847	4	Screw-Shoulder
2	138-6021	2	Bracket-Pivot, Decklift	20	93-8806	3	Washer-Hardened
3	137-9844	1	LH Arm ASM	21	3256-26	7	Washer-Flat
4	137-9846	1	RH Arm ASM	22	63-2290	2	Washer-Thrust
5	139-2350-01	1	Bracket-HOC	23	104-8300	2	Nut-HF, NI
6	138-2564	2	Plate-Adjustment, HOC	24	104-8301	5	Nut-HF, NI
7	137-7087-03	1	Lever-Lift	25	3296-19	1	Nut-Hex
8	138-6050	1	Rod-Mount, Deck	26	139-2392	1	Decal-HOC
9	119-8810	1	Pin-Pivot	27	1-633268	1	Grip-Lever
10	138-2549-03	1	Pedal-Lift	30	120-2273	1	Washer-Nylon
11	137-7086	1	Plate-Footlift	31	139-7452	1	Pedal-Foot Lift
12	140-2746-03	1	Link ASM	32	140-2093	1	Spacer
13	140-3461	2	Spacer	33	139-2590	1	Screw-CARR
14	1-806005	7	Pin-Cotter	34	3230-3	2	Screw-CARR
15	138-9753	5	Screw	35	139-2597	1	Screw-HHF

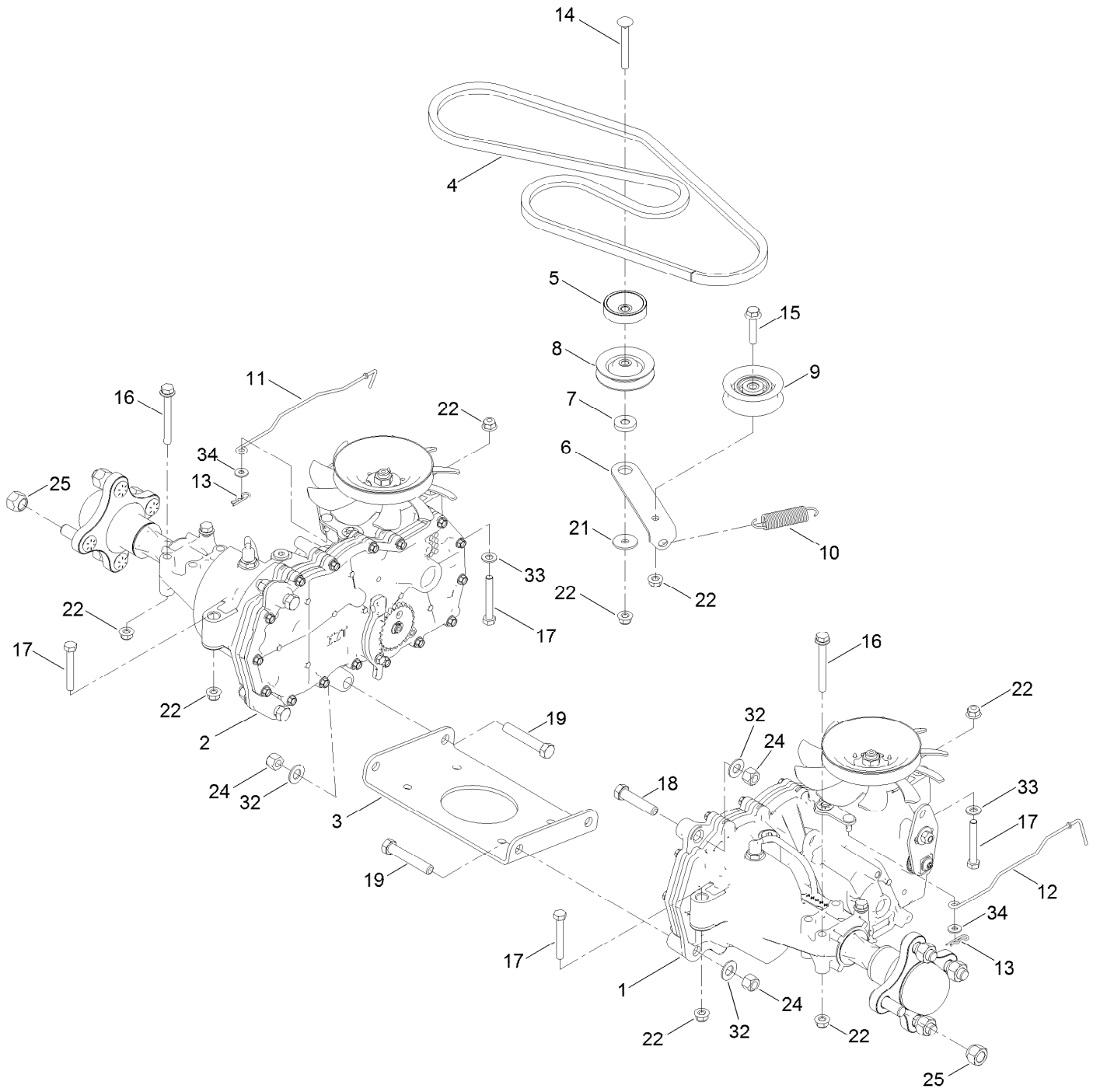
Tire and Caster Assembly



Tire and Caster Assembly (continued)

<i>Ref.</i>	<i>Part Number</i>	<i>Qty.</i>	<i>Description</i>	<i>Ref.</i>	<i>Part Number</i>	<i>Qty.</i>	<i>Description</i>
1	138-9839-01	2	Fork ASM	5	138-9803	2	Spacer-Spanner
2	139-5843	2	Tire ASM	6	325-37	2	Screw-HH
2:1	138-7553	1	Tire	7	3296-45	2	Nut-Hex
2:3	232-27	1	Stem-Valve	8	3256-68	2	Washer-Flat
2:4	114-1640	2	Bushing-Flange	9	3234-47	2	Screw-HHF
2:5	302-5	1	Fitting-Grease				

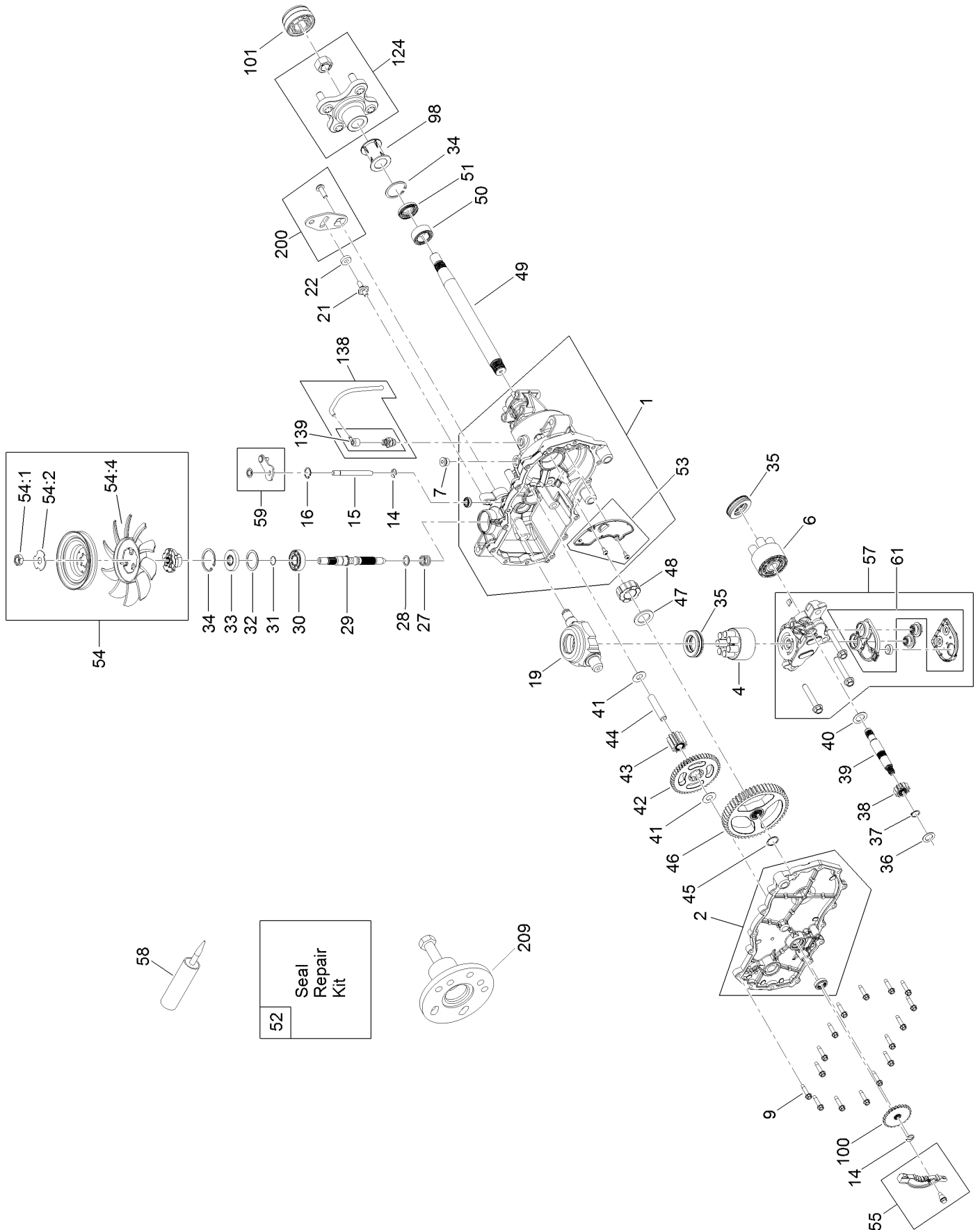
Traction Drive Assembly



Traction Drive Assembly (continued)

<i>Ref.</i>	<i>Part Number</i>	<i>Qty.</i>	<i>Description</i>	<i>Ref.</i>	<i>Part Number</i>	<i>Qty.</i>	<i>Description</i>
1	139-7460	1	LH Hydro Transaxle ASM	14	3230-8	1	Screw-CARR
2	139-7461	1	RH Hydro Transaxle ASM	15	115-1794	1	Screw-HHF
3	138-2571-03	1	Crossplate-Hydro	16	138-7590	4	Screw-HHF
4	139-2399	1	V-Belt	17	322-11	4	Screw-HH
5	138-9809	1	Spacer	18	324-8	2	Screw-HH
6	138-7276	1	Arm-Idler	19	324-10	4	Screw-HH
7	138-7277	1	Spacer-Arm, Idler	21	5-4460	1	Washer-Pivot
8	68-0030	1	Idler	22	104-8300	10	Nut-HF, NI
9	138-7597	1	Pulley-Idler, Flat	24	3296-48	6	Nut-Hex
10	137-7040	1	Spring-Return, Pedal	25	242-50	8	Nut-Lug
11	138-7245	1	Rod-Bypass, RH	32	3256-25	6	Washer-Flat
12	138-7243	1	Rod-Bypass, LH	33	3256-23	2	Washer-Plain
13	3290-307	2	Pin-Cotter	34	119-8952	2	Washer

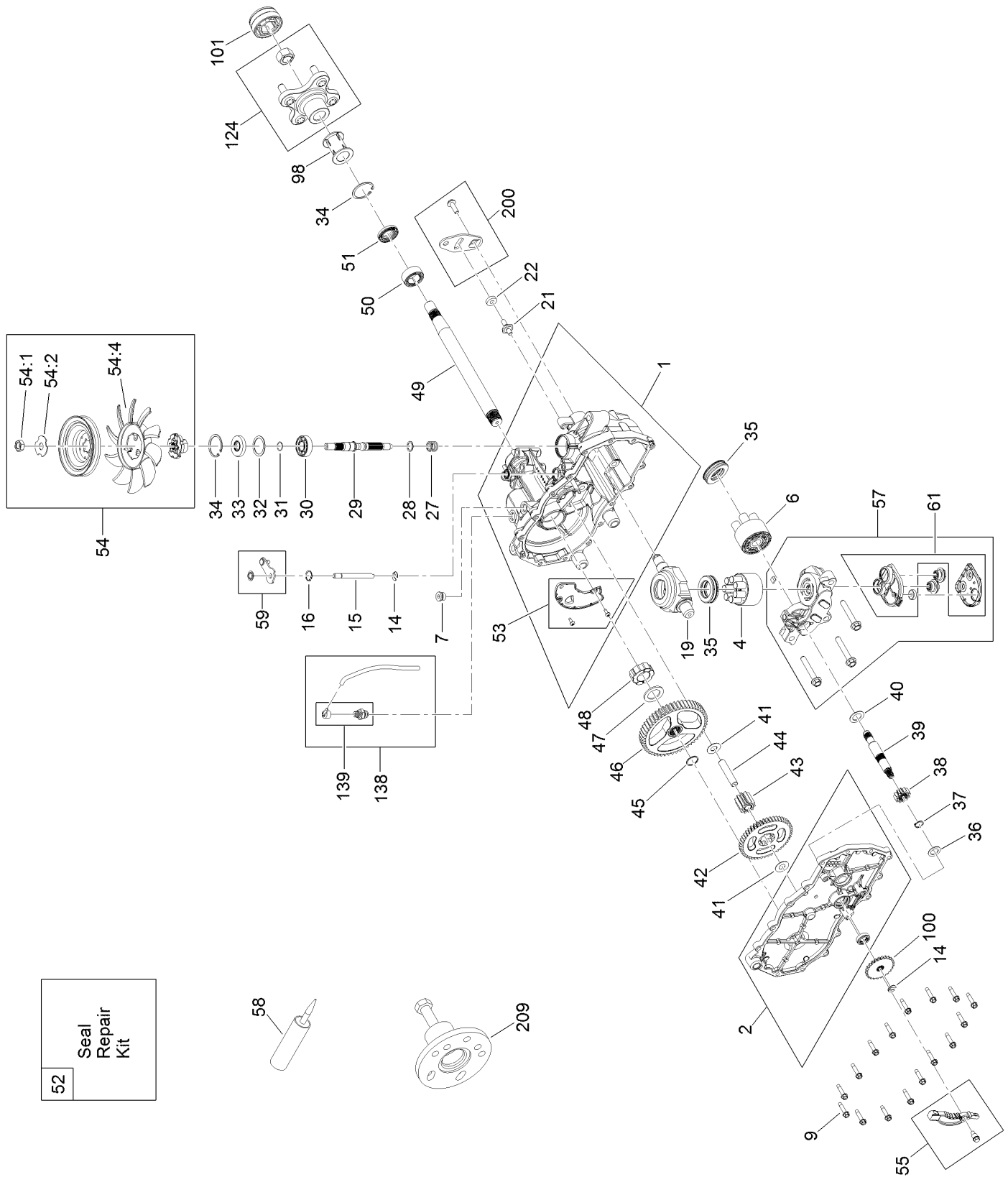
LH Transaxle Assembly No. 139-7460



LH Transaxle Assembly No. 139-7460 (continued)

<i>Ref.</i>	<i>Part Number</i>	<i>Qty.</i>	<i>Description</i>	<i>Ref.</i>	<i>Part Number</i>	<i>Qty.</i>	<i>Description</i>
1	106-8695	1	Main Housing ASM	43	104-5318	1	Gear-Jackshaft, 10T
2	106-8696	1	Side ASM	44	104-5329	1	Pin-Jackshaft
4	110-8561	1	Pump Block ASM	45	112-9854	1	Ring-Spiral, Retaining
6	103-2666	1	Cylinder Block Kit	46	112-9855	1	Gear-52T, Bull
7	104-2189	1	Plug-Thread, Straight	47	112-9856	1	Washer
9	104-5305	16	Screw-HHF	48	112-9857	1	Bearing-Sleeve
14	106-8677	1	Ring-Retaining, External	49	120-7104	1	Shaft-Axle
15	106-8678	1	Rod-Bypass	50	112-9859	1	Bushing-Axle
16	106-8679	1	Ring-Retaining, Internal	51	112-9860	1	Seal-Lip
19	104-5304	1	Swashplate-Trunnion	52	106-8686	1	Seal Kit
21	104-2116	1	Stud	53	106-8697	1	Expansion Plate Kit
22	112-9853	1	Puck-Friction	54	135-7349	1	Fan And Pulley Kit
27	94-1936	1	Spring-Block	54:1	116-9714	1	Nut-HJ
28	120-5538	1	Washer	54:2	116-9708	1	Washer-Slotted
29	104-5306	1	Shaft-Input	54:4	135-7364	1	Fan 7.0 X 10 Blade
30	104-5311	1	Bearing-Ball	55	106-8688	1	Brake Arm Kit
31	104-5307	1	Ring-Retaining	57	112-9861	1	Center Section Filter Kit
32	104-5308	1	Spacer	58	104-2147	1	Sealant
33	104-5310	1	Seal-Lip	59	120-5549	1	Bypass Kit
34	104-5309	2	Ring-Retaining	61	114-1634	1	Filter Kit
35	94-6922	2	Bearing-Thrust	98	120-7109	1	Tube-Axle
36	104-5339	1	Washer-Flat	100	106-8694	1	Disc-Brake, Cog
37	104-5340	1	Ring-Retaining	101	115-5057	1	Cover-Nut, Axle
38	104-5316	1	Gear-Pinnion, 13T	124	109-5939	1	Hub Kit
39	106-8683	1	Shaft-Motor	138	112-9866	1	Breather Kit
40	104-5360	1	Washer	139	114-1635	1	Breather ASM
41	119-5541	2	Washer	200	117-5362	1	Control Arm Kit
42	104-5317	1	Gear-10T/48T	209	114-8467	1	Puller-Hub, 4 Bolt

RH Transaxle Assembly No. 139-7461



RH Transaxle Assembly No. 139-7461 (continued)

<i>Ref.</i>	<i>Part Number</i>	<i>Qty.</i>	<i>Description</i>	<i>Ref.</i>	<i>Part Number</i>	<i>Qty.</i>	<i>Description</i>
1	106-8674	1	Main Housing ASM	43	104-5318	1	Gear-Jackshaft, 10T
2	106-8675	1	Side ASM	44	104-5329	1	Pin-Jackshaft
4	110-8561	1	Pump Block ASM	45	112-9854	1	Ring-Spiral, Retaining
6	103-2666	1	Cylinder Block Kit	46	112-9855	1	Gear-52T, Bull
7	104-2189	1	Plug-Thread, Straight	47	112-9856	1	Washer
9	104-5305	16	Screw-HHF	48	112-9857	1	Bearing-Sleeve
14	106-8677	1	Ring-Retaining, External	49	120-7104	1	Shaft-Axle
15	106-8678	1	Rod-Bypass	50	112-9859	1	Bushing-Axle
16	106-8679	1	Ring-Retaining, Internal	51	112-9860	1	Seal-Lip
19	104-5304	1	Swashplate-Trunnion	52	106-8686	1	Seal Kit
21	104-2116	1	Stud	53	106-8697	1	Expansion Plate Kit
22	112-9853	1	Puck-Friction	54	135-7349	1	Fan And Pulley Kit
27	94-1936	1	Spring-Block	54:1	116-9714	1	Nut-HJ
28	120-5538	1	Washer	54:2	116-9708	1	Washer-Slotted
29	104-5306	1	Shaft-Input	54:4	135-7364	1	Fan 7.0 X 10 Blade
30	104-5311	1	Bearing-Ball	55	106-8688	1	Brake Arm Kit
31	104-5307	1	Ring-Retaining	57	112-9862	1	Center Section Filter Kit
32	104-5308	1	Spacer	58	104-2147	1	Sealant
33	104-5310	1	Seal-Lip	59	107-2489	1	Bypass Arm Kit
34	104-5309	2	Ring-Retaining	61	114-1634	1	Filter Kit
35	94-6922	2	Bearing-Thrust	98	120-7109	1	Tube-Axle
36	104-5339	1	Washer-Flat	100	106-8694	1	Disc-Brake, Cog
37	104-5340	1	Ring-Retaining	101	115-5057	1	Cover-Nut, Axle
38	104-5316	1	Gear-Pinnion, 13T	124	109-5939	1	Hub Kit
39	106-8683	1	Shaft-Motor	138	112-9866	1	Breather Kit
40	104-5360	1	Washer	139	114-1635	1	Breather ASM
41	119-5541	2	Washer	200	117-5362	1	Control Arm Kit
42	104-5317	1	Gear-10T/48T	209	114-8467	1	Puller-Hub, 4 Bolt

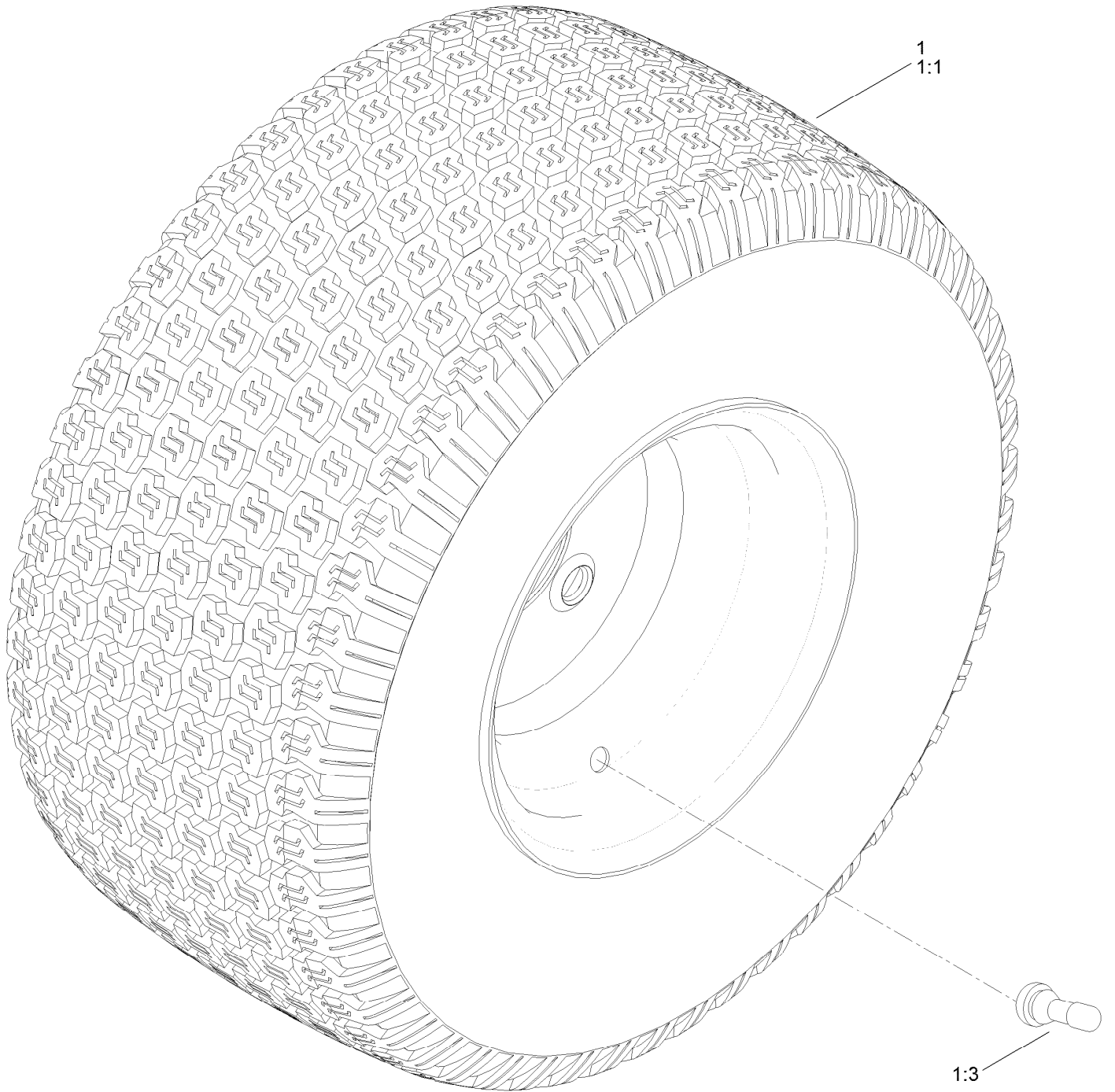
Brake Assembly



Brake Assembly (continued)

<i>Ref.</i>	<i>Part Number</i>	<i>Qty.</i>	<i>Description</i>	<i>Ref.</i>	<i>Part Number</i>	<i>Qty.</i>	<i>Description</i>
1	138-2514	1	Brake Box ASM	7	3290-307	2	Pin-Cotter
2	133-9284-03	1	Bracket-Mount, Brake	8	32144-36	4	Screw-PPH
3	138-2591	1	Rod-Brake, LH	9	32144-4	2	Screw-HWH
4	138-2592	1	Rod-Brake, RH	10	119-8952	6	Washer
5	117-1169	4	Spring-Compression	11	3296-42	2	Nut-Lock, NI

Rear Tire Assembly

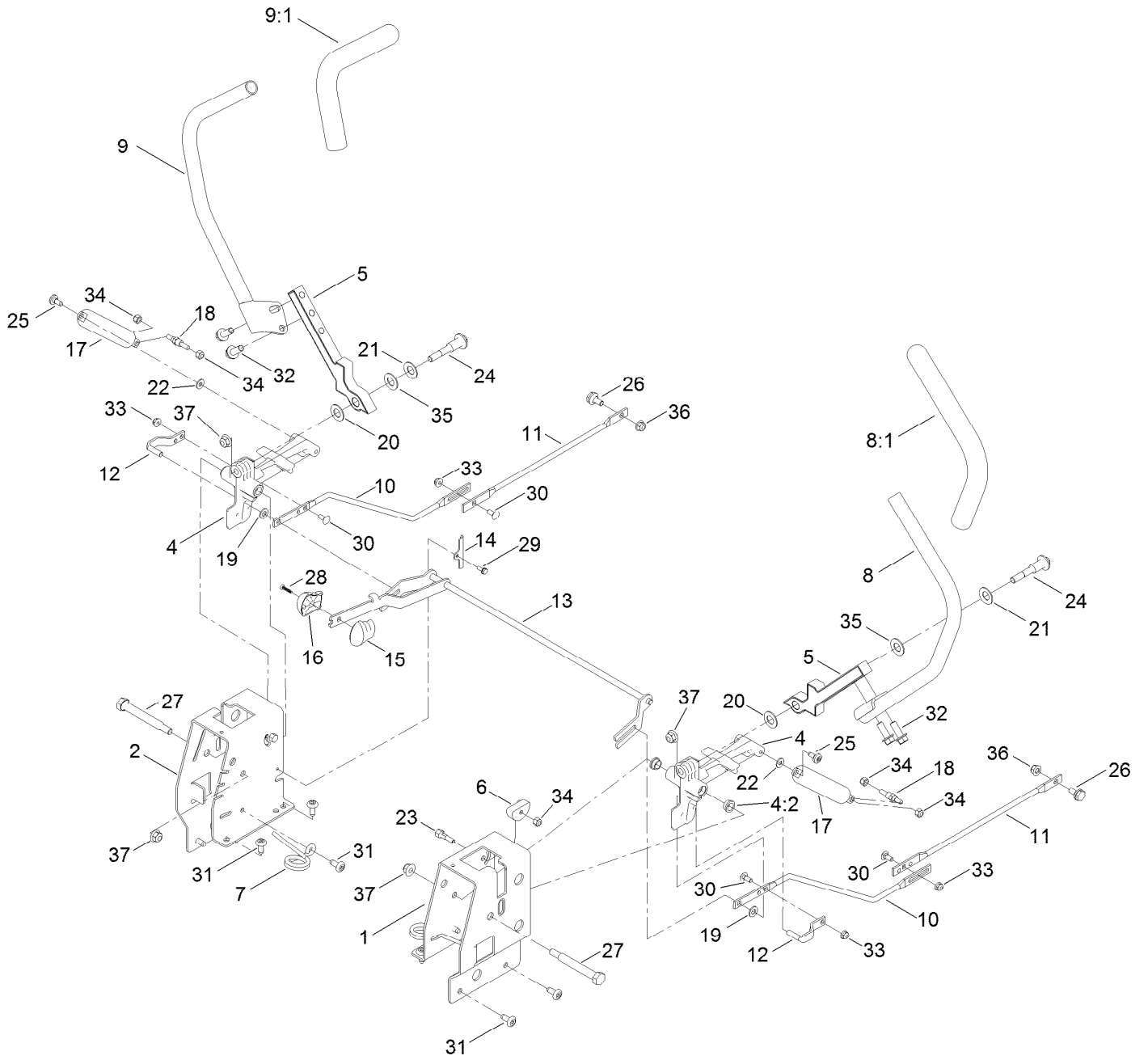


Rear Tire Assembly (continued)

<i>Ref.</i>	<i>Part Number</i>	<i>Qty.</i>	<i>Description</i>	<i>Ref.</i>	<i>Part Number</i>	<i>Qty.</i>	<i>Description</i>
1	139-5847	2	Tire ASM	1:3	232-27	1	Stem-Valve
1:1	140-2731	1	Tire	1:99	232-37	1	Tube ●

● Not illustrated

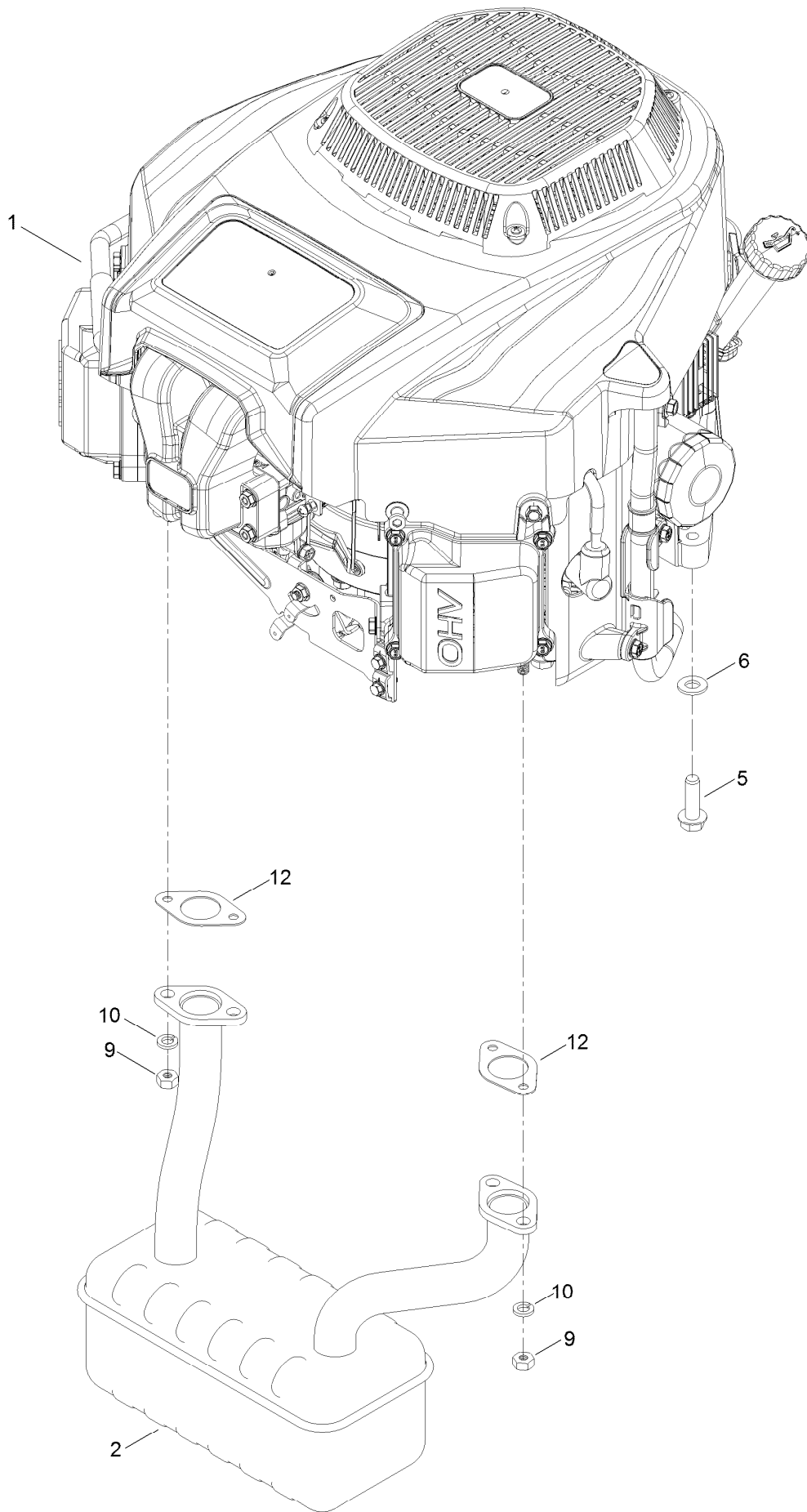
Motion Control Assembly



Motion Control Assembly (continued)

<i>Ref.</i>	<i>Part Number</i>	<i>Qty.</i>	<i>Description</i>	<i>Ref.</i>	<i>Part Number</i>	<i>Qty.</i>	<i>Description</i>
1	138-7598-03	1	Plate-Control Box, LH	19	93-6079	2	Spacer-Nylon
2	138-7599-03	1	Plate-Control Box, RH	20	120-2273	2	Washer-Nylon
4	119-3470	2	Actuator Arm ASM	21	119-8925	2	Washer-Belleville
4:2	256-156	2	Bushing-Flange	22	119-8952	2	Washer
5	133-9299-05	2	Arm-Control	23	139-5811	2	Bolt-Pivot, Eccentric
6	139-5803	2	Eccentric	24	117-1198	2	Bolt-Pivot
7	138-7539	2	Spring-Torsion	25	120-7950	2	Screw
8	133-7055	1	Handle-Control, LH	26	37-8771	2	Bolt-Shoulder, HF
8:1	121-0726	1	Grip	27	115-5099	2	Bolt-Pivot
9	133-7057	1	Handle-Control, RH	28	94-4496	1	Screw-PPH
9:1	121-0726	1	Grip	29	32144-1	2	Screw-Taptite
10	138-2580	2	Rod-Hydro, Front	30	3229-11	4	Screw-CARR
11	138-2579	2	Rod-Hydro, Rear	31	138-9753	10	Screw
12	121-1753	2	Pin-Rod, Hydro	32	3234-42	4	Screw-HHF
13	138-9750	1	Speed Control ASM	33	104-7201	4	Nut-HF
14	138-7541	2	Plate-Retainer	34	3296-42	6	Nut-Lock, NI
15	132-9368	1	Knob-RH	35	117-1240	2	Washer
16	132-9369	1	Knob-LH	36	104-8300	2	Nut-HF, NI
17	132-6853	2	Damper-Non Cavitating	37	104-8301	4	Nut-HF, NI
18	138-7215	2	Stud-Damper				

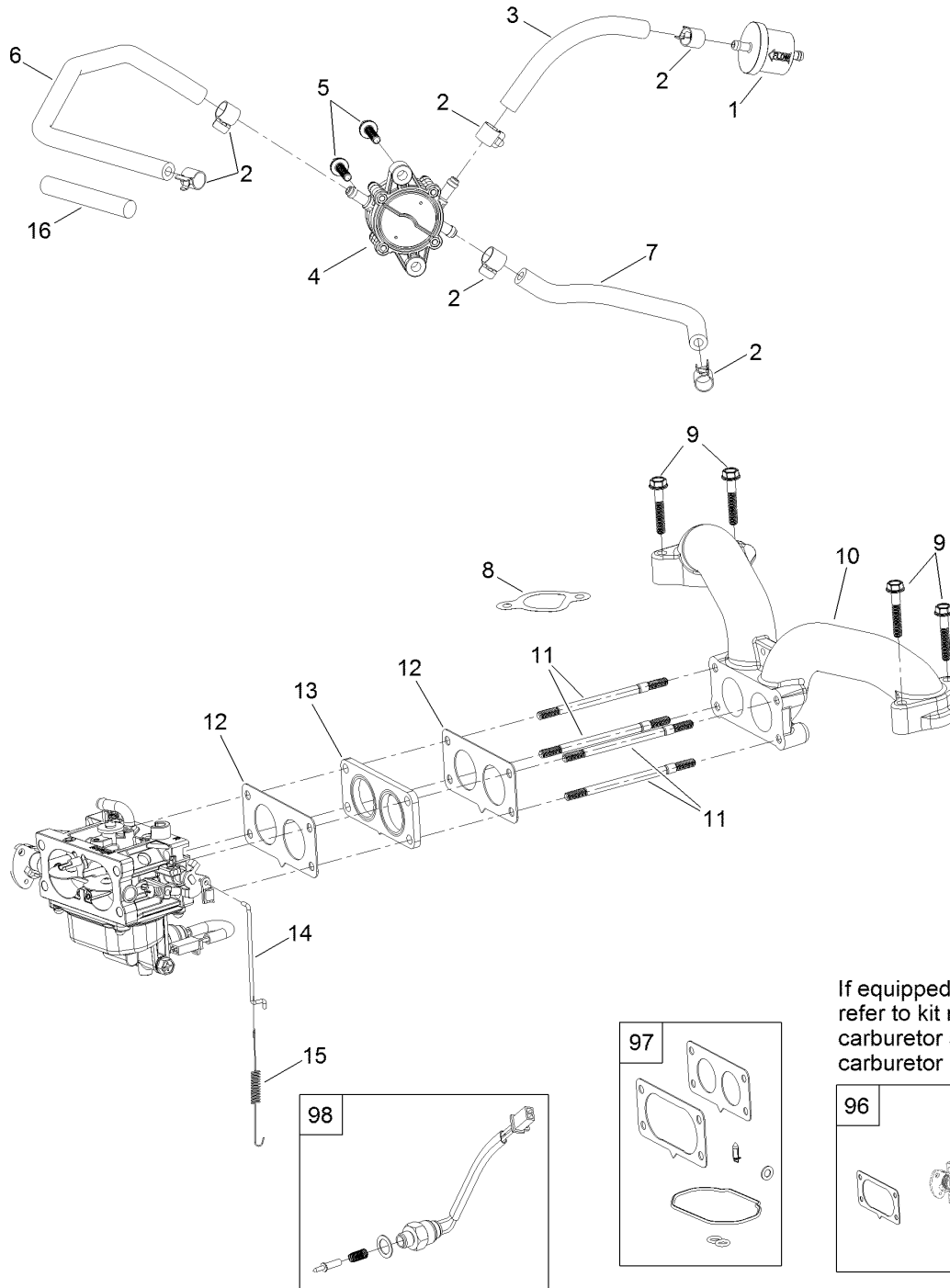
Engine and Muffler Assembly



Engine and Muffler Assembly (continued)

<i>Ref.</i>	<i>Part Number</i>	<i>Qty.</i>	<i>Description</i>	<i>Ref.</i>	<i>Part Number</i>	<i>Qty.</i>	<i>Description</i>
1	139-0603	1	Engine-2P77F	9	121-0199	4	Nut-HH
2	139-5865	1	Muffler	10	127-9279	4	Washer-Lock, Split
5	32144-109	4	Screw-Thd	12	120-4317	2	Gasket-Exhaust
6	3256-24	3	Washer-Flat				

Fuel System Assembly with Non-Canister Style Air Filter

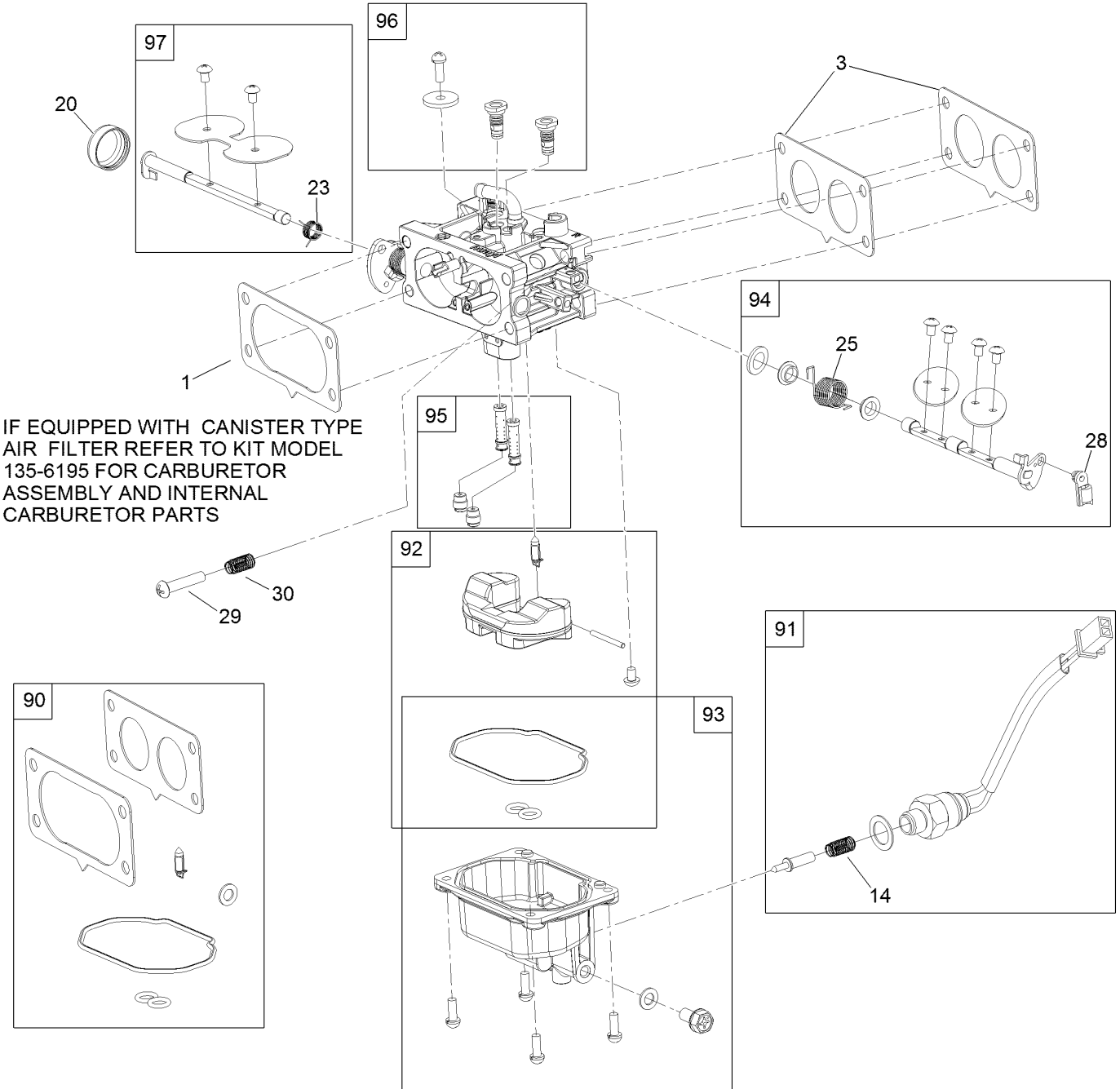


Fuel System Assembly with Non-Canister Style Air Filter (continued)

<i>Ref.</i>	<i>Part Number</i>	<i>Qty.</i>	<i>Description</i>	<i>Ref.</i>	<i>Part Number</i>	<i>Qty.</i>	<i>Description</i>
1	133-1563	1	Filter-Fuel	11	127-9245	4	Stud
2	120-4251	6	Clamp-Fuel Line	12	127-9246	2	Gasket-Carburetor
3	120-4371	1	Line-Fuel	13	127-9247	1	Insulator-Carburetor
4	127-9206	1	Pump-Fuel	14	133-9963	1	Linkage-Throttle
5	120-4225	2	Screw-HHF	15	133-9964	1	Spring-Return, Throttle
6	127-9205	1	Hose-Fuel	16	127-9355	1	Sleeve-Fuel Line Protector
7	127-9207	1	Hose-Fuel	96	136-7840	1	Carburetor Replacement Kit
8	127-9230	2	Gasket-Intake	97	127-9290	1	Carburetor Repair Kit
9	120-4284	4	Screw-HHF	98	127-9292	1	Solenoid Kit
10	127-9244	1	Manifold-Intake	99	136-7837	1	High Altitude Kit ●

● Not illustrated

Carburetor Assembly

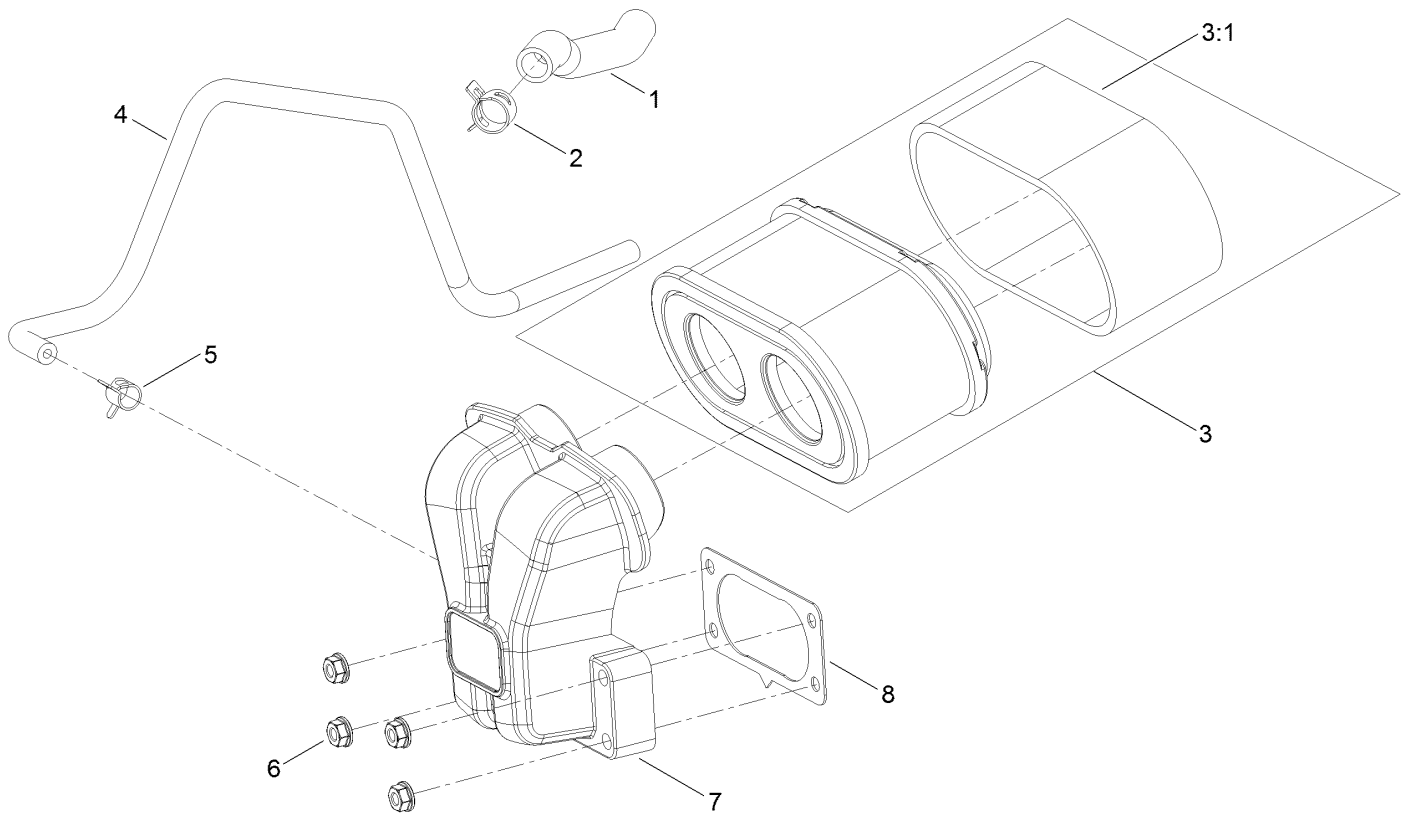


Carburetor Assembly (continued)

<i>Ref.</i>	<i>Part Number</i>	<i>Qty.</i>	<i>Description</i>	<i>Ref.</i>	<i>Part Number</i>	<i>Qty.</i>	<i>Description</i>
1	127-9251	1	Gasket-Carburetor	90	127-9290	1	Carburetor Repair Kit
3	127-9246	2	Gasket-Carburetor	91	127-9292	1	Solenoid Kit
14	127-9319	1	Spring	92	127-9340	1	Float Kit
20	127-9325	1	Cover-Shaft, Choke	93	127-9341	1	Bowl Kit
23	127-9328	1	Spring	94	133-9817	1	Throttle Shaft Kit
25	127-9330	1	Spring	95	136-7844	1	Nozzle And Jet Kit
28	127-9333	1	Clamp-Lock	96	136-7899	1	Idle Jet Kit
29	127-9334	1	Screw-PPH	97	127-9345	1	Choke Shaft Kit
30	127-9335	1	Spring				

Air Intake and Filtration Assembly

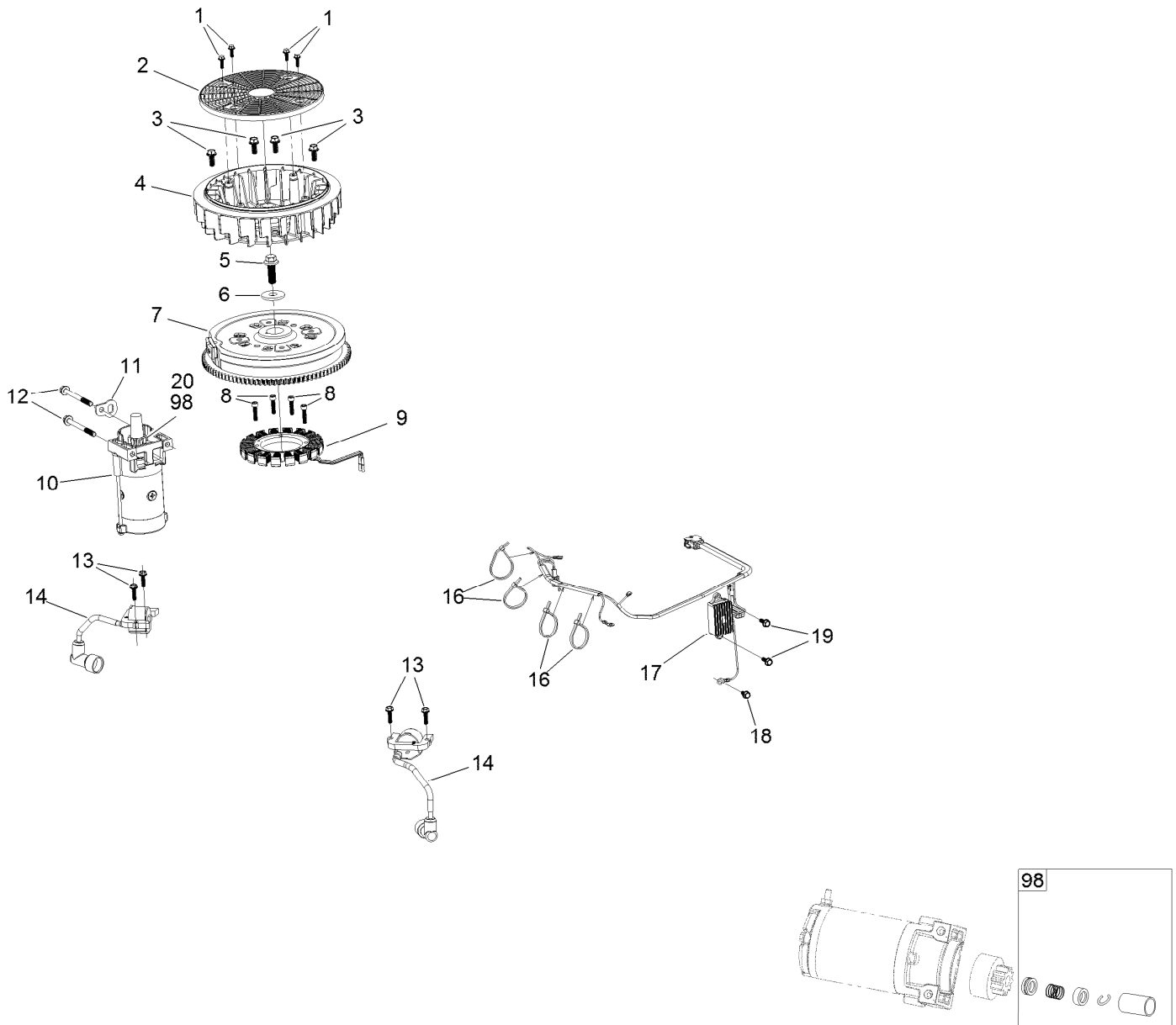
IF EQUIPPED WITH CANISTER TYPE AIR FILTER
REFER TO KIT MODEL 135-6195 TO LOOK UP PARTS



Air Intake and Filtration Assembly (continued)

<i>Ref.</i>	<i>Part Number</i>	<i>Qty.</i>	<i>Description</i>	<i>Ref.</i>	<i>Part Number</i>	<i>Qty.</i>	<i>Description</i>
1	127-9235	1	Tube-Breather	5	127-9187	1	Clamp-Hose
2	127-9234	2	Clamp-Hose	6	120-4236	4	Nut-Flange
3	136-7806	1	Air Filter Kit	7	127-9047	1	Manifold-Filter, Air
3:1	136-7804	1	Prefilter	8	127-9251	1	Gasket-Carburetor
4	127-9253	1	Hose-Fuel				

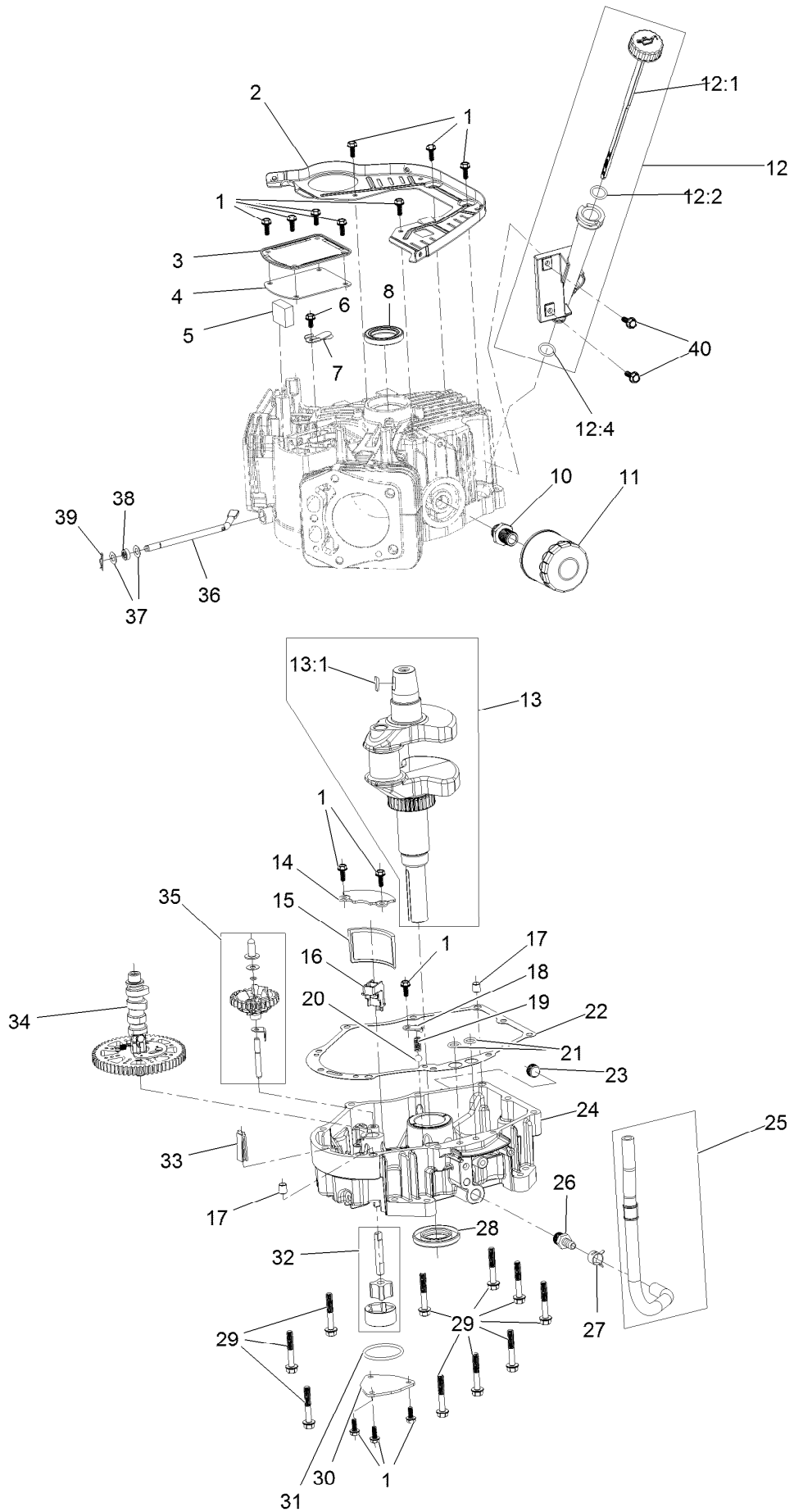
Ignition and Cooling Fan



Ignition and Cooling Fan (continued)

<i>Ref.</i>	<i>Part Number</i>	<i>Qty.</i>	<i>Description</i>	<i>Ref.</i>	<i>Part Number</i>	<i>Qty.</i>	<i>Description</i>
1	127-9197	4	Screw-HWH	12	120-4231	2	Screw-HHF
2	127-9198	1	Screen-Rotating	13	121-0007	4	Bolt-Flange
3	127-9199	4	Screw-HWH	14	136-7883	2	Ignition Coil ASM
4	127-9200	1	Fan-Cooling	16	127-9220	4	Tie-Zip
5	127-9201	1	Screw-HWH	17	136-7879	1	Regulator-Voltage, W/Harness
6	127-9202	1	Washer-Spring	18	120-4216	1	Screw-HHF
7	127-9306	1	Flywheel	19	120-4232	2	Screw-HHF
8	127-9210	4	Screw-HSH	20	133-1562	1	Pinion-Starter
9	136-7876	1	Alternator	98	133-1566	1	Starter Repair Kit
10	136-7880	1	Motor-Starter				
11	127-9208	1	Bracket-Lift				

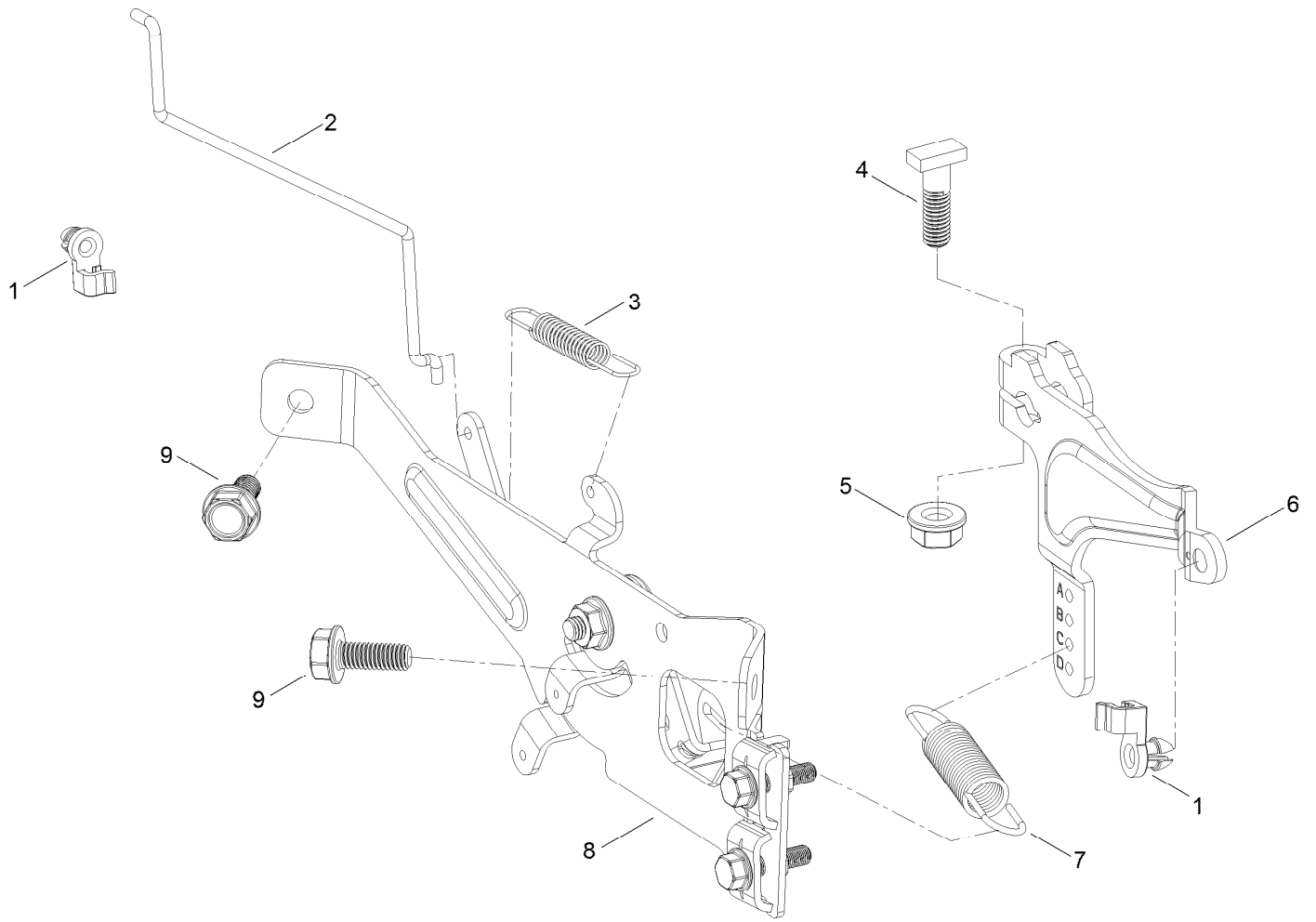
Crankcase and Crankshaft Assembly



Crankcase and Crankshaft Assembly (continued)

<i>Ref.</i>	<i>Part Number</i>	<i>Qty.</i>	<i>Description</i>	<i>Ref.</i>	<i>Part Number</i>	<i>Qty.</i>	<i>Description</i>
1	120-4232	14	Screw-HHF	20	127-9266	1	Valve-Ball
2	127-9212	1	Baffle	21	120-4262	2	O-Ring
3	127-9213	1	Cover-Breather	22	127-9267	1	Gasket-Cover, Crankcase
4	127-9214	1	Gasket-Breather	23	133-9805	1	Plug-Drain
5	127-9215	1	Filter-Breather	24	133-9806	1	Cover-Crankcase
6	120-4216	1	Screw-HHF	25	127-9293	1	Oil Drain Hose ASM
7	127-9217	1	Valve-Breather	26	127-9275	1	Fitting-Hose
8	120-4267	1	Seal-Oil	27	127-9276	1	Clamp-Hose
10	136-7884	1	Adaptor-Filter, Oil	28	127-9271	1	Seal
11	136-7848	1	Filter-Oil	29	121-0473	10	Screw-HHF
12	127-9218	1	Oil Tube ASM	30	127-9274	1	Cover-Oil Pump
12:1	127-9283	1	Dipstick	31	127-9273	1	O-Ring
12:2	127-9284	1	O-Ring	32	127-9272	1	Oil Pump ASM
12:4	127-9286	1	O-Ring	33	120-4275	1	Deflector-Oil, Rubber
13	127-9255	1	Crankshaft	34	133-1568	1	Camshaft
13:1	120-4320	1	Key-Woodruff	35	136-7882	1	Governor ASM
14	127-9261	1	Cover-Screen, Oil	36	127-9238	1	Shaft-Governor
15	127-9262	1	Screen-Oil	37	120-4258	2	Washer-Plain
16	127-9263	1	Retainer-Screen	38	120-4257	1	Seal-Oil
17	120-4274	2	Pin-Dowel	39	120-4256	1	Pin-Hair
18	127-9264	1	Plate-Retainer	40	120-4232	2	Screw-HHF
19	127-9265	1	Spring				

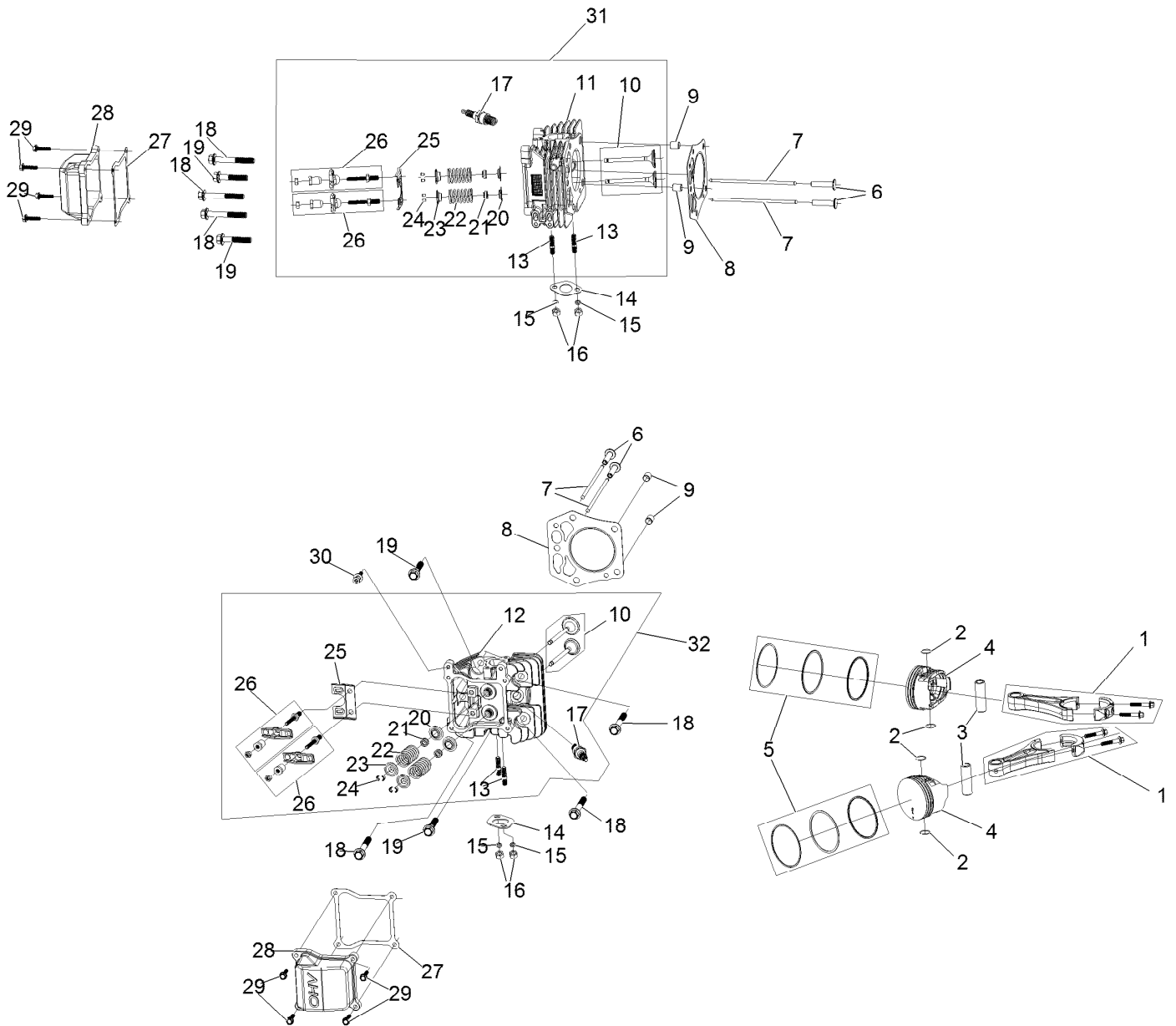
Governor Control Assembly



Governor Control Assembly (continued)

<i>Ref.</i>	<i>Part Number</i>	<i>Qty.</i>	<i>Description</i>	<i>Ref.</i>	<i>Part Number</i>	<i>Qty.</i>	<i>Description</i>
1	127-9250	2	Clip-Linkage	6	133-9961	1	Arm-Governor
2	127-9242	1	Linkage-Choke	7	133-9962	1	Spring-Governor
3	127-9241	1	Spring-Governor	8	133-1570	1	Control Plate ASM
4	120-4238	1	Bolt-Arm, Governor	9	120-4232	2	Screw-HHF
5	120-4236	1	Nut-Flange				

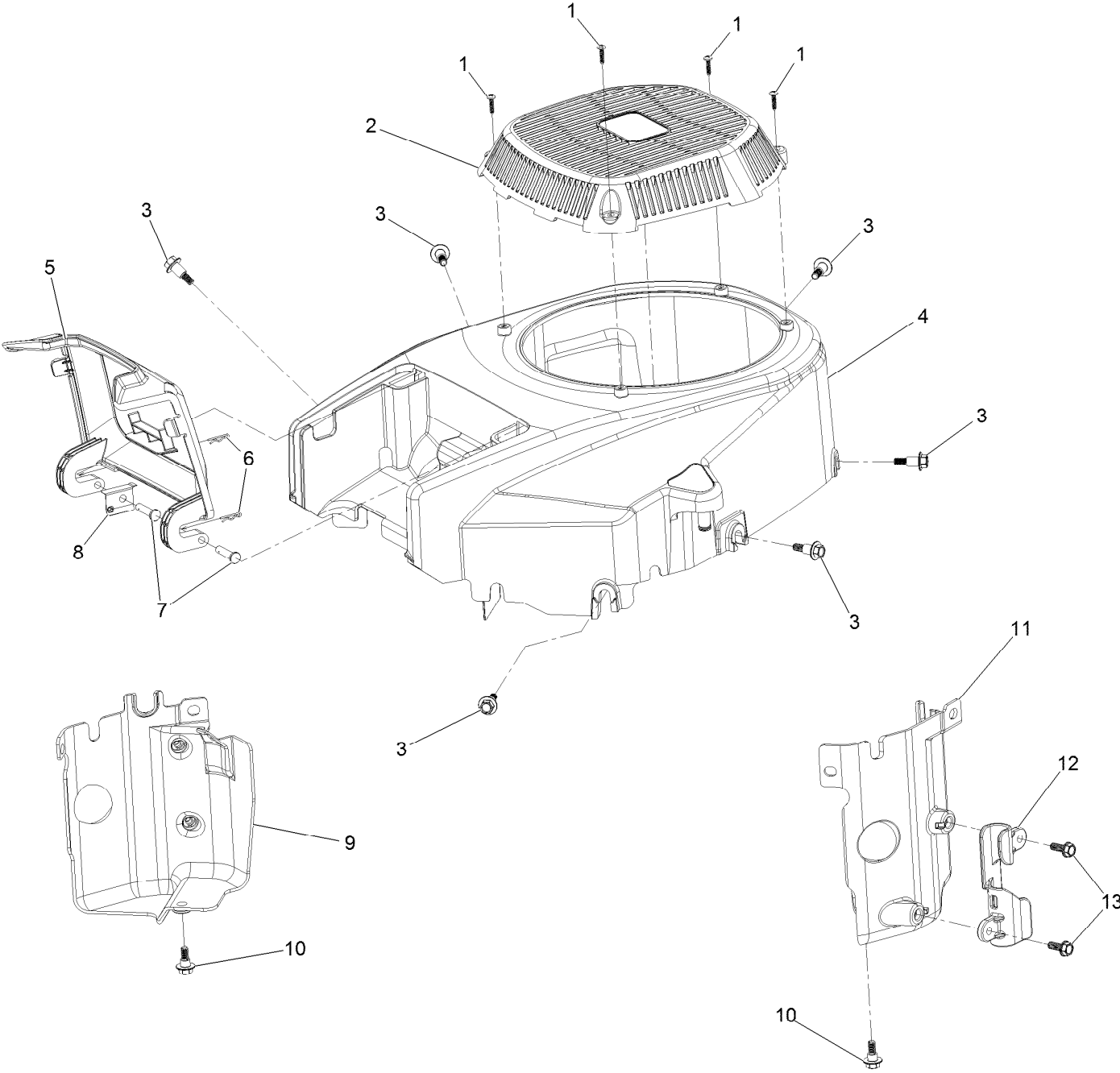
Piston and Cylinder Head Assembly



Piston and Cylinder Head Assembly (continued)

<i>Ref.</i>	<i>Part Number</i>	<i>Qty.</i>	<i>Description</i>	<i>Ref.</i>	<i>Part Number</i>	<i>Qty.</i>	<i>Description</i>
1	127-9256	2	Connecting Rod ASM	17	81-3250	2	Spark Plug
2	127-9258	4	Clip-Pin, Piston	18	127-9231	6	Screw-HWH
3	127-9257	2	Pin-Piston	19	127-9232	4	Screw-HWH
4	127-9259	2	Piston	20	120-4303	4	Seat-Spring, Valve
5	127-9260	2	Piston Ring Set	21	120-4304	4	Seal-Stem, Valve
6	127-9224	4	Lifter-Valve	22	120-4305	4	Spring-Valve
7	127-9225	4	Rod-Push	23	120-4306	4	Retainer-Spring, Valve
8	127-9226	2	Gasket-Head, Cylinder	24	120-4307	8	Keeper-Valve
9	127-9227	4	Pin-Dowel	25	127-9233	2	Plate-Guide, Push Rod
10	127-9228	2	Valve Set	26	136-7881	4	Rocker Arm ASM
11	133-9802	1	Head-Cylinder, Right	27	127-9295	2	Gasket-Valve Cover
12	133-9804	1	Head-Cylinder, Left	28	127-9050	2	Cover-Valve
13	121-0464	4	Stud-Exhaust	29	120-4225	8	Screw-HHF
14	120-4317	2	Gasket-Exhaust	30	120-4214	1	Screw-Shoulder, HH
15	127-9279	4	Washer-Lock, Split	31	136-7891	1	Complete Right Head ASM
16	121-0199	4	Nut-HH	32	136-7892	1	Complete Left Head ASM

Blower Housing Assembly

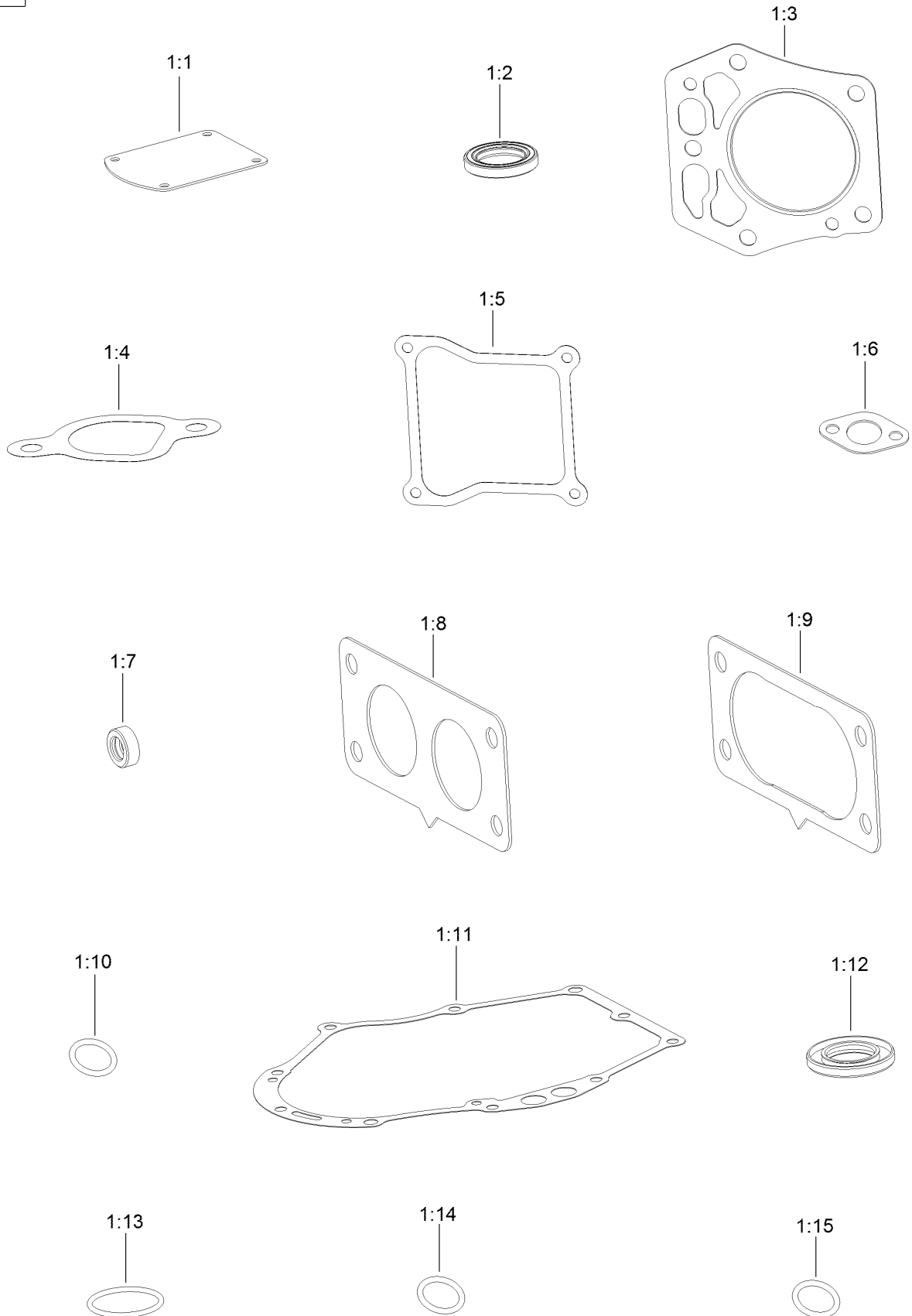


Blower Housing Assembly (continued)

<i>Ref.</i>	<i>Part Number</i>	<i>Qty.</i>	<i>Description</i>	<i>Ref.</i>	<i>Part Number</i>	<i>Qty.</i>	<i>Description</i>
1	133-1571	4	Screw-PPH, Plastic	8	127-9281	1	Plate-Spring
2	127-9045	1	Cover-Fan	9	136-7877	1	Baffle-Air, Left
3	127-9196	6	Screw-Shoulder, HWH	10	120-4210	2	Screw-Shoulder, HHF
4	133-1572	1	Shroud-Engine	11	136-7878	1	Baffle-Air, Right
5	127-9046	1	Door-Filter, Air	12	127-9287	1	Cleat-Hose
6	127-9280	2	Pin-Hair	13	120-4232	2	Screw-HHF
7	127-9282	2	Pin				

Gasket and Seal Kit

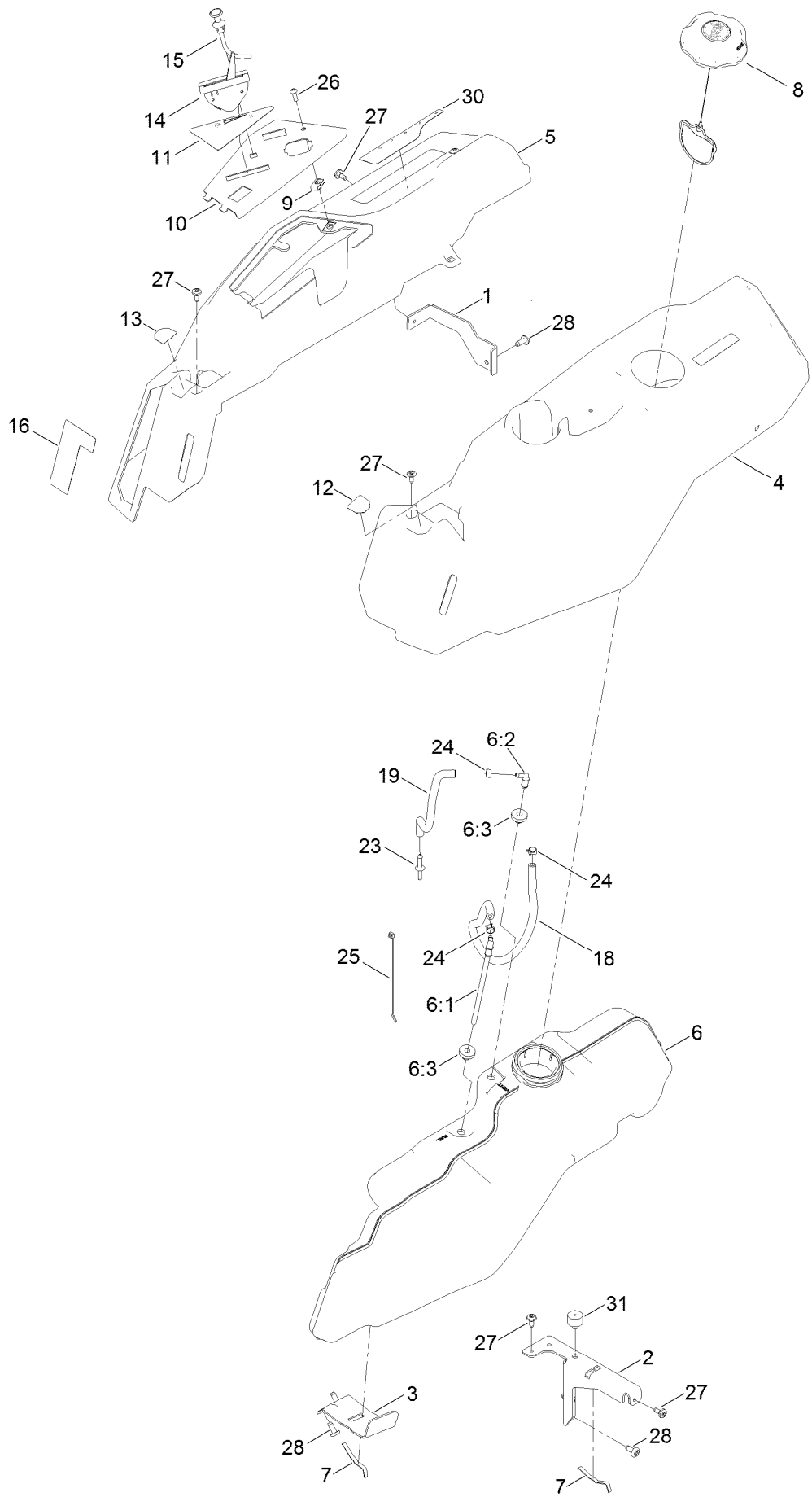
1



Gasket and Seal Kit (continued)

<i>Ref.</i>	<i>Part Number</i>	<i>Qty.</i>	<i>Description</i>	<i>Ref.</i>	<i>Part Number</i>	<i>Qty.</i>	<i>Description</i>
1	127-9296	1	Gasket And Seal Kit	1:8	127-9246	2	Gasket-Carburetor
1:1	127-9214	1	Gasket-Breather	1:9	127-9251	1	Gasket-Carburetor
1:2	120-4267	1	Seal-Oil	1:10	120-4262	2	O-Ring
1:3	127-9226	2	Gasket-Head, Cylinder	1:11	127-9267	1	Gasket-Cover, Crankcase
1:4	127-9230	2	Gasket-Intake	1:12	127-9271	1	Seal
1:5	127-9295	2	Gasket-Valve Cover	1:13	127-9273	1	O-Ring
1:6	120-4317	2	Gasket-Exhaust	1:14	127-9284	1	O-Ring
1:7	120-4257	1	Seal-Oil	1:15	127-9286	1	O-Ring

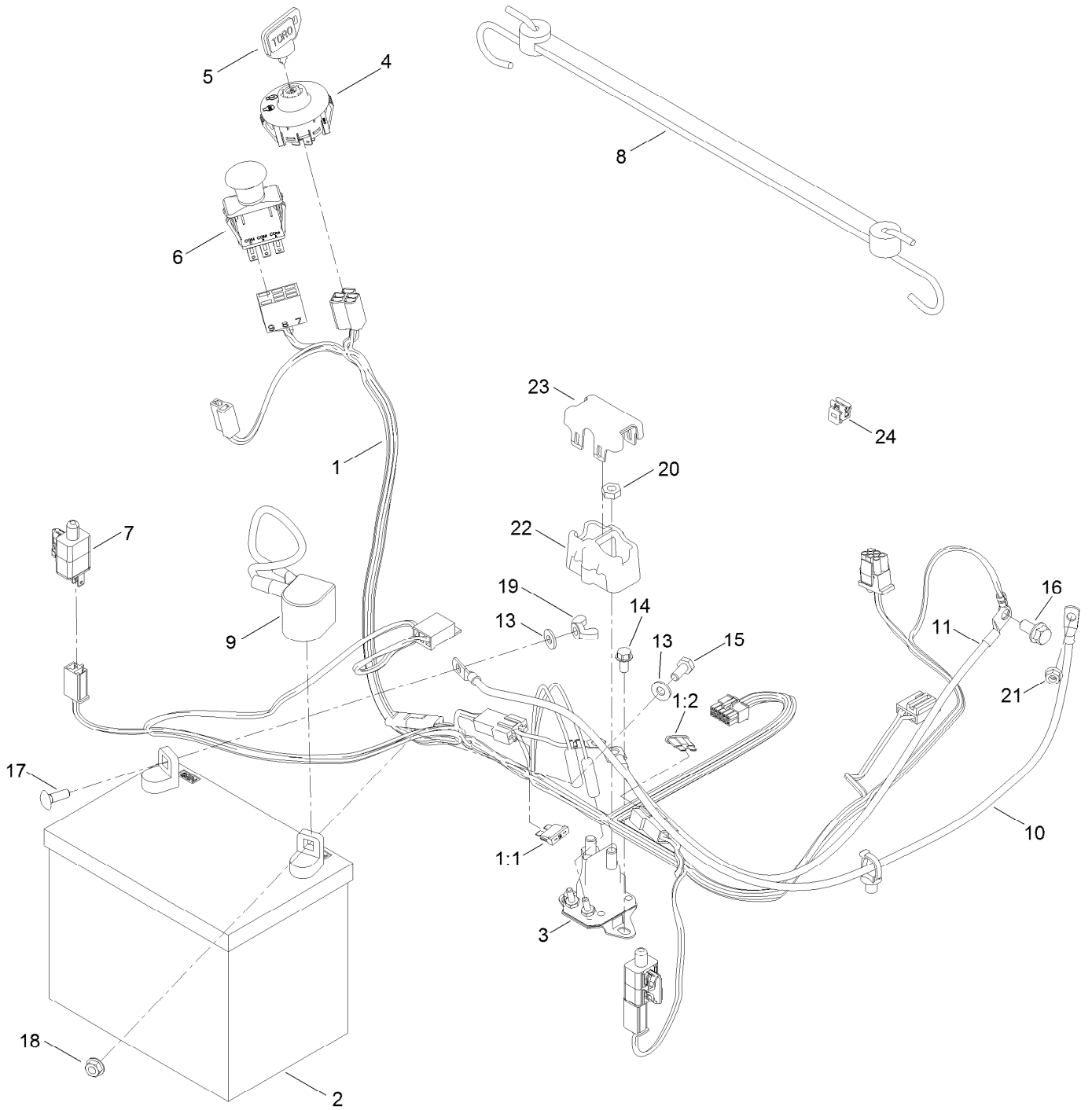
Body Styling and Fuel Pod Assembly



Body Styling and Fuel Pod Assembly (continued)

<i>Ref.</i>	<i>Part Number</i>	<i>Qty.</i>	<i>Description</i>	<i>Ref.</i>	<i>Part Number</i>	<i>Qty.</i>	<i>Description</i>
1	138-9810-03	1	Bracket-Pod	13	139-2394	1	Decal-Control Lever, RH
2	138-6071-03	1	Support-Pod, LH	14	139-2403	1	Cable-Throttle
3	139-3271-03	1	Support-Tank, Fuel	15	139-2402	1	Cable-Choke
4	138-6074	1	Pod-LH	16	139-2388	1	Decal-Smart Speed
5	139-2404	1	Pod-RH, Myride	18	109-0298	1	Line-Fuel
6	138-6072	1	Fuel Tank ASM	19	110-3447	1	Hose-Fuel
6:1	139-1091	1	Connector-Elbow, 90 DEG	23	117-5399	1	Adaptor-Orifice
6:2	117-7400	1	Fitting-Plastic	24	2412-98	3	Clamp-Hose
6:3	46-6560	2	Bushing	25	614249	1	Tie-Cable
7	609830	2	Spring	26	3258-166	1	Screw-PRH
8	137-4119	1	Cap-Fuel, Ratcheting	27	120-7950	6	Screw
9	107069	1	Clip	28	138-9753	5	Screw
10	139-2380-05	1	Panel-Control	30	139-2397	1	Decal-Adjustment
11	139-2391	1	Decal-Panel, Control	31	120-7893	1	Bumper-Grommet
12	139-2395	1	Decal-Control Lever, LH				

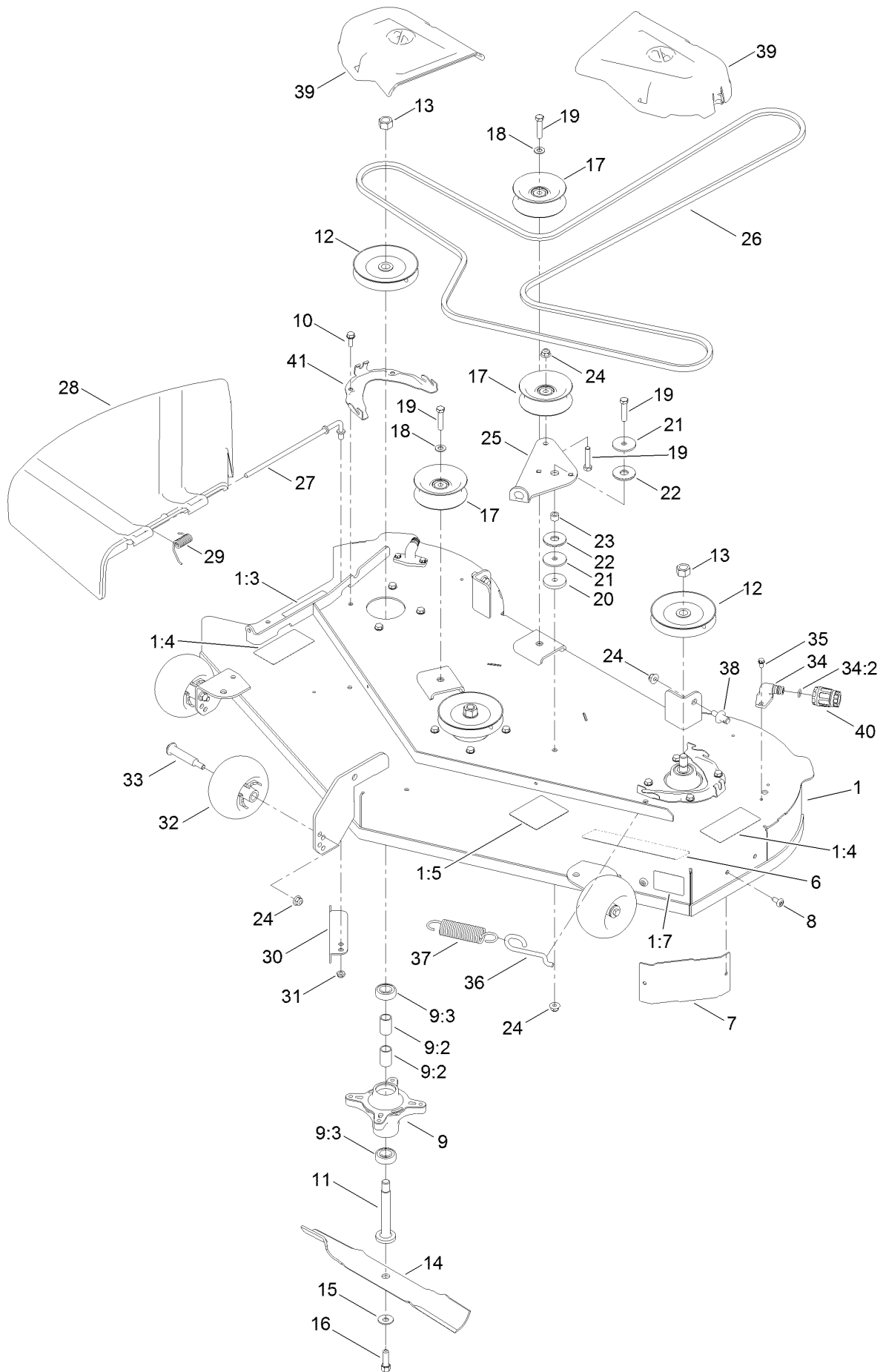
Electrical Assembly



Electrical Assembly (continued)

<i>Ref.</i>	<i>Part Number</i>	<i>Qty.</i>	<i>Description</i>	<i>Ref.</i>	<i>Part Number</i>	<i>Qty.</i>	<i>Description</i>
1	138-2521	1	Harness-Wire	11	110-6793	1	Cable-Battery, Black
1:1	109355	1	Fuse-Blade, 15 Amp	13	3256-22	2	Washer-Flat
1:2	109102	1	Fuse-Blade, 25 Amp	14	32144-4	2	Screw-HWH
2	105-1692	1	Battery	15	321-3	1	Screw-HH
3	117-1197	1	Solenoid	16	3234-14	1	Screw-HHF
4	137-4100	1	Switch-Ignition	17	3229-1	1	Bolt-CARR
5	63-8360	1	Key-Ignition	18	32128-33	1	Nut-HF
6	103-5221	1	Switch-PTO	19	32103-22	1	Nut-Wing
7	110-6765	2	Switch	20	3220-2	2	Nut-Jam
8	139-2381	1	Strap-Rubber	21	33003-00	1	Nut-HF
9	140-2713	1	Cable-Battery, Pos	22	140-2080	1	Cover-Solenoid
10	139-2431	1	Cable-Battery, Red (8 Gauge)	23	140-2081	1	Cap-Solenoid
				24	32180-418	1	Clip-Harness

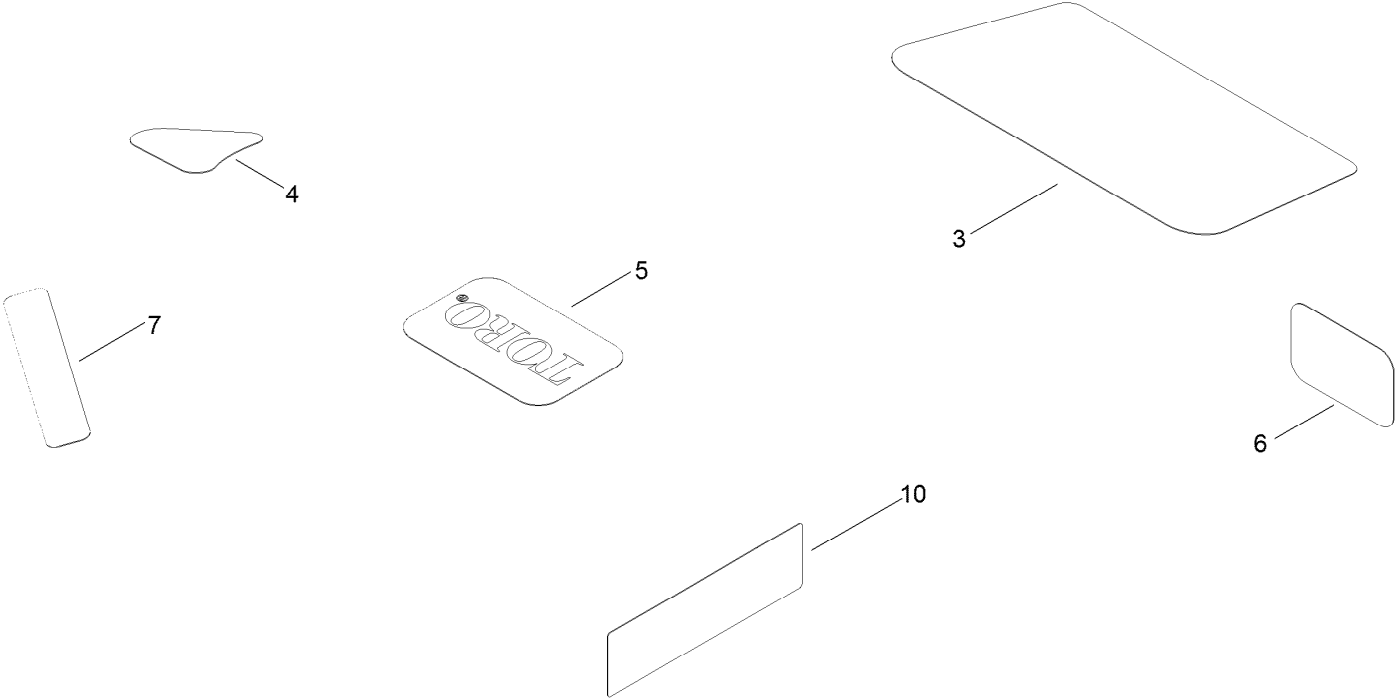
50 Inch Deck Assembly



50 Inch Deck Assembly (continued)

<i>Ref.</i>	<i>Part Number</i>	<i>Qty.</i>	<i>Description</i>	<i>Ref.</i>	<i>Part Number</i>	<i>Qty.</i>	<i>Description</i>
1	138-9764	1	50 Inch Deck And Decal ASM	21	63-7400	2	Washer-Rebound
1:3	93-7009	1	Decal-Danger	22	114-0463	2	Washer-Friction, Composite
1:4	132-0872	2	Decal-Danger, Deck	23	115-4986	1	Spacer
1:5	99-3943	1	Decal-Routing, Belt	24	104-8301	7	Nut-HF, NI
1:7	112-9840	1	Decal-Scalp, Anti	25	138-7262	1	Arm-Idler
6	139-3208	1	Decal-Deck	26	119-8820	1	V-Belt
7	139-2448-03	1	Baffle-Corner	27	137-2019	1	Rod-Pivot
8	138-9753	2	Screw	28	138-7502	1	Deflector-Discharge
9	139-3214	3	Spindle ASM	29	138-7268	1	Spring-Torsion
9:2	120-7935	2	Spacer	30	138-9800-03	1	Baffle-Cutoff
9:3	138-9770	2	Bearing-Ball	31	3296-59	1	Nut-Lock, NI
10	32144-41	12	Screw-Taptite	32	1-603299	3	Roller-Scalp, Anti
11	117-7268	3	Shaft-Spindle	33	112-3977	3	Bolt-Shoulder
12	139-7454	3	Pulley	34	133-9289	2	Fitting-Washout
13	3219-6	3	Nut-Hex	34:2	133-9290	1	O-Ring
14	115-5059-03	3	Blade-Hi Lift	35	32144-4	4	Screw-HWH
15	3290-465	3	Washer-Belleville	36	138-7266	1	Spring-Return, Hook
16	26-0671	3	Screw-HH	37	138-7264	1	Spring-Extension
17	132-9420	3	Pulley-Idler, Flat	38	139-5871	2	Pin-Deck
18	3256-24	2	Washer-Flat	39	139-3293	2	Cover-Belt
19	323-9	4	Screw-HH	40	95-3270	1	Connector-Hose
20	110-9981	1	Washer-Plain	41	139-3272-03	2	Bracket-Cover, Belt

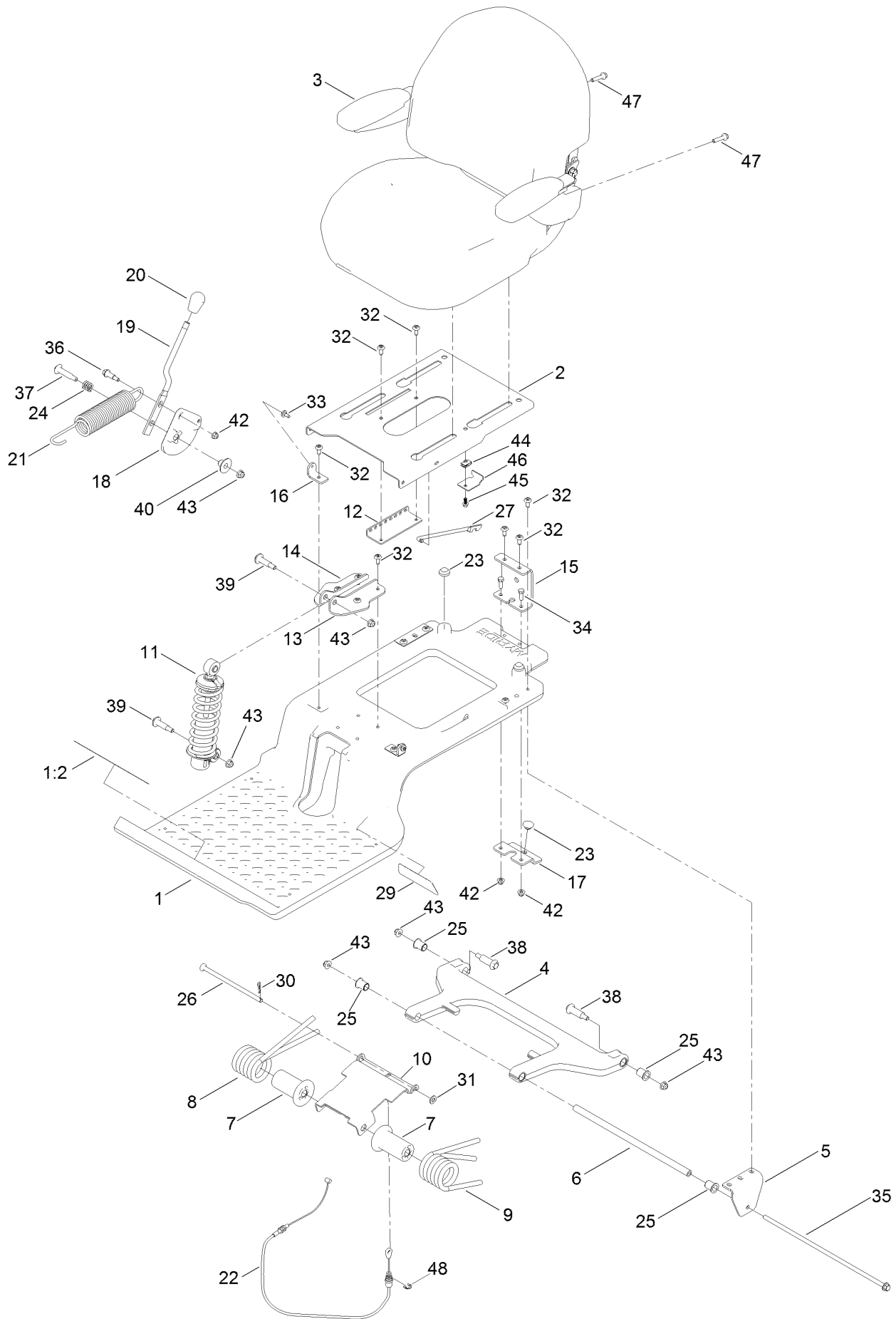
Frame Decal Assembly



Frame Decal Assembly (continued)

<i>Ref.</i>	<i>Part Number</i>	<i>Qty.</i>	<i>Description</i>	<i>Ref.</i>	<i>Part Number</i>	<i>Qty.</i>	<i>Description</i>
3	136-5597	1	Decal-Engine	6	127-9076	1	Placard-Intake
4	131-1097	1	Decal-Drain, Oil	7	132-0904	1	Decal-Shutdown
5	131-4157	1	Decal	10	140-2099	1	Decal

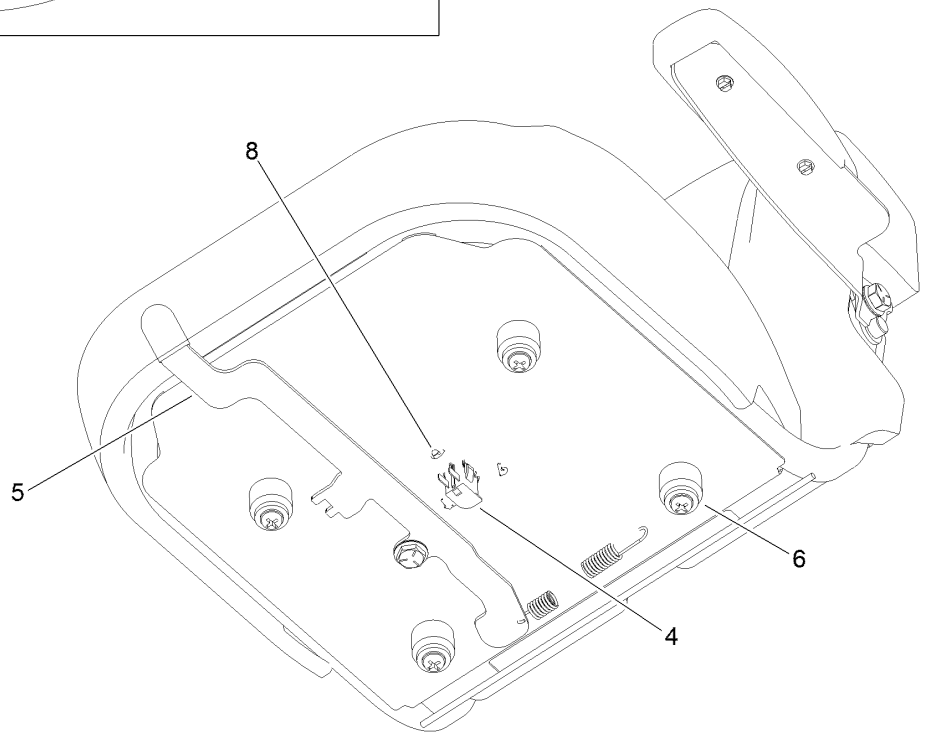
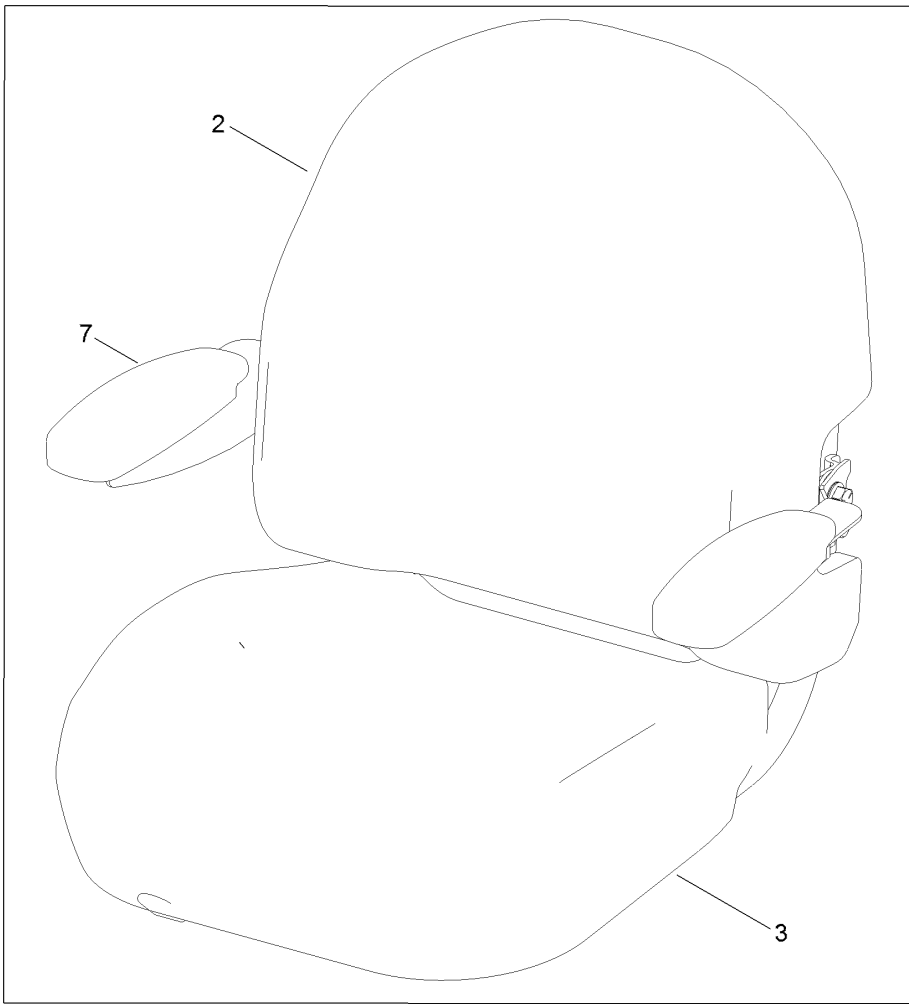
Seat Pan Assembly



Seat Pan Assembly (continued)

<i>Ref.</i>	<i>Part Number</i>	<i>Qty.</i>	<i>Description</i>	<i>Ref.</i>	<i>Part Number</i>	<i>Qty.</i>	<i>Description</i>
1	140-5046	1	Subframe ASM	23	135-0505	3	Bumper-Seat
1:2	132-0869	1	Decal-Danger	24	139-5858	1	Spring-Compression
2	138-7540-03	1	Pan-Seat	25	138-2573	4	Bushing-Flange
3	140-5044	1	Seat ASM	26	138-9813	1	Rod-Adjustment
4	138-2563	1	Arm, Swing	27	138-2596	1	Rod-Prop, Seat
5	138-7517	2	Bracket-Mount, Swing Arm	29	140-0357	1	Decal-Myride
6	138-7549	1	Tube-Spacer	30	1-806003	1	Pin-Cotter
7	138-9776	2	Retainer-Spring	31	3256-24	1	Washer-Flat
8	137-7018	1	Spring-Torsion, RH	32	138-9753	14	Screw
9	137-1983	1	Spring-Torsion, LH	33	120-7950	2	Screw
10	138-7566-03	1	Plate-Adjuster	34	322-4	2	Screw-HH
11	139-2427	1	Shock/Spring ASM	35	138-7548	1	Screw-HHF
12	131-4008-03	1	Bracket-Latch, Seat	36	130-2344	1	Bolt-Shoulder
13	133-9318-03	1	Bracket-Shock Mount, Upper (LH)	37	92-1057	1	Bolt-Shoulder
14	133-9319-03	1	Bracket-Shock Mount, Upper (RH)	38	138-2547	2	Bolt-Shoulder
15	138-9788	1	Bracket-Cable	39	136-7198	2	Bolt-Shoulder
16	138-7522	2	Bracket-Seat	40	139-5800	1	Bushing - Flange
17	139-2361-03	1	Bracket Lower	42	104-8300	3	Nut-HF, NI
18	138-9814	1	Pulley - Cam	43	119-4042	6	Nut-HF, NI
19	138-9822	1	Lever - Adjustment	44	107069	1	Clip
20	139-5807	1	Knob-Lever	45	99-6810	1	Screw-HHF
21	138-9848	1	Spring-Extension	46	138-7214	1	Bracket-Stop, Seat
22	138-9812	1	Cable-Adjustment, Myride	47	140-5024	2	Screw-HHF
				48	32120-47	1	Ring-Retaining, External

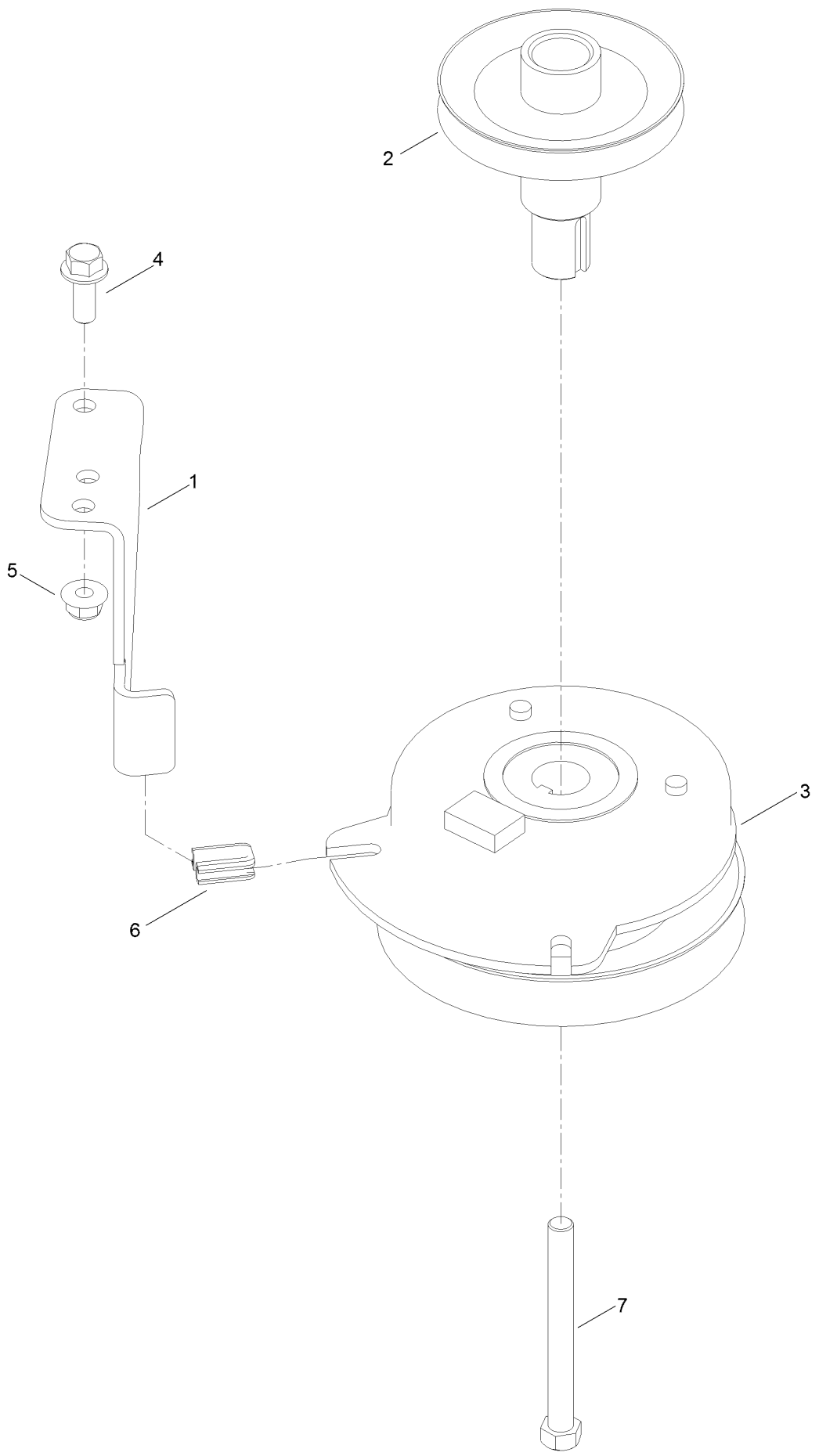
Seat Assembly No. 140-5044



Seat Assembly No. 140-5044 (continued)

<i>Ref.</i>	<i>Part Number</i>	<i>Qty.</i>	<i>Description</i>	<i>Ref.</i>	<i>Part Number</i>	<i>Qty.</i>	<i>Description</i>
1	140-2733	1	Seat ASM	5	131-4153	1	Track ASM
2	140-5041	1	Cover-Seat Back	6	131-4154	1	Bushing ASM
3	140-5042	1	Cover-Seat Base	7	139-5823	1	Arm Rest Kit
4	82-2190	1	Switch-Bail	8	140-3468	1	Cap-Switch, Actuator

Clutch Assembly



Clutch Assembly (continued)

<i>Ref.</i>	<i>Part Number</i>	<i>Qty.</i>	<i>Description</i>	<i>Ref.</i>	<i>Part Number</i>	<i>Qty.</i>	<i>Description</i>
1	137-7000	1	Stop-Clutch (Wide)	5	104-8301	1	Nut-HF, NI
2	138-9792	1	Pulley-Engine	6	120-2217	1	Isolator-Clutch
3	127-3408	1	Clutch-PTO	7	3212-17	1	Screw-HH
4	3234-42	1	Screw-HHF				

Attachments and Accessories

For 75755 TimeCutter MX 5075 Riding Mower

Product Name	Model/Part
Twin Bagger, Timecutter 50in/54in Fab.....	79412
50 Inch Recycler Kit.....	139-3240
50 Inch Bagging Enhancement Kit.....	139-7459
Striping Kit.....	121-5706
Hourmeter Kit.....	116-5461
Front Weight Kit.....	140-2050
Assist Bar Kit.....	140-2052
Heavy Duty Spring Kit.....	140-2051
ROPS Kit.....	79485
Slope Sensor Kit.....	79486
LED Light Kit.....	140-2056
Sunshade Kit.....	140-2054
Floormat Kit.....	140-2061
Jack Mount Kit.....	140-2711
Jack Kit.....	127-6666
Blade Kit.....	79016P
Storage Cover.....	490-7516
Seat Cover w/Arm Rest.....	117-0097
4-Cycle Fuel, Snow And Lawn 32oz Can.....	131-3823
Heavy Duty Air Cleaner Kit.....	135-6195
Fuel Stabilizer .05 oz.....	130-2393
Toro Premium Fuel Treatment 12 Oz Bottle.....	131-6572
10w30 4-Cycle Engine Oil (32oz Bottle).....	38280
Toro 4-Cycle SAE 30 Oil (32oz Bottle).....	38903
Maintenance Kit Toro V-twin Engine.....	139-0646
Maintenance Kit Toro.....	139-0649
Mower Deck Drive Belt, TimeCutter SS Riding Mower with 50-inch Mowing Deck.....	79005

For 75755TA TimeCutter MX 5075 Riding Mower

Product Name	Model/Part
Twin Bagger, Timecutter 50in/54in Fab.....	79412
50 Inch Recycler Kit.....	139-3240
50 Inch Bagging Enhancement Kit.....	139-7459
Striping Kit.....	121-5706
Hourmeter Kit.....	116-5461
Front Weight Kit.....	140-2050
Assist Bar Kit.....	140-2052
Heavy Duty Spring Kit.....	140-2051
ROPS Kit.....	79485
Slope Sensor Kit.....	79486
LED Light Kit.....	140-2056
Sunshade Kit.....	140-2054
Floormat Kit.....	140-2061
Jack Mount Kit.....	140-2711

Attachments and Accessories (continued)

Jack Kit	127-6666
Blade Kit	79016P
Storage Cover	490-7516
Seat Cover w/Arm Rest	117-0097
4-Cycle Fuel, Snow And Lawn 32oz Can	131-3823
Heavy Duty Air Cleaner Kit	135-6195
Fuel Stabilizer .05 oz	130-2393
Toro Premium Fuel Treatment 12 Oz Bottle	131-6572
10w30 4-Cycle Engine Oil (32oz Bottle).....	38280
Toro 4-Cycle SAE 30 Oil (32oz Bottle)	38903
Maintenance Kit Toro V-twin Engine	139-0646
Maintenance Kit Toro	139-0649
Mower Deck Drive Belt, TimeCutter SS Riding Mower with 50-inch Mowing Deck.....	79005

Notes:

Notes:



Count on it.