

Waste & Recycle

Heavy-Duty, Soft-Close, Wood Undermount
WUSC Series



Heavy-Duty, Soft-Close Wood Undermount Waste & Recycling Bins

Product Features

- **New Heavy-duty**, undermount slide with soft-close technology
Static = 125 lb.
Dynamic = 100 lb.
- Wood drawer box captures bin and provides a clean neutral look
- Installs in minutes using self-aligning brackets secured with only 6 screws
- Unique, washable, solid floor:
Prevents debris from falling through to floor and cabinet
Easy to clean
Conceals hardware
- Single bin units include a storage space for trash bags or cleaning products
- Optional lids available for all 20 or 35 quart products
- Door brackets can be reversed to allow for openings up to 3" wider
- Accommodates overlay or inset doors



Waste & Recycle

Heavy-Duty, Soft-Close, Wood Undermount
WUSC Series

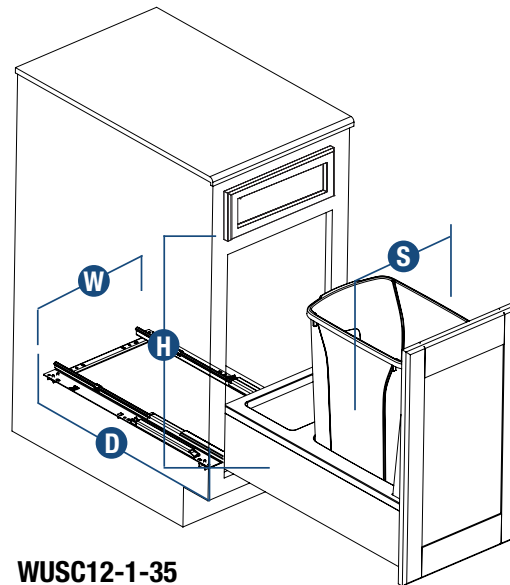
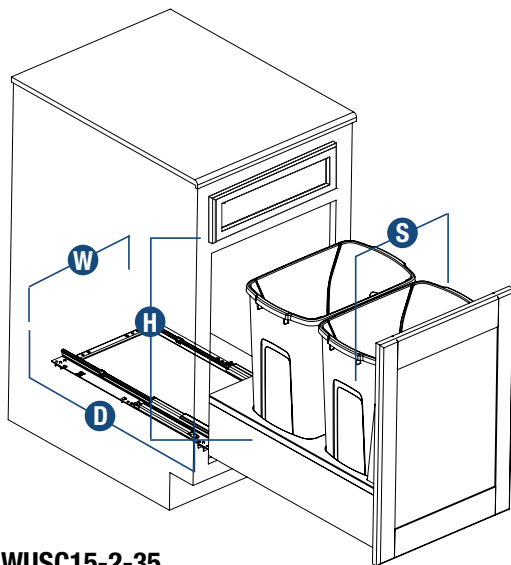


Heavy-Duty, Soft-Close Wood Undermount Waste & Recycling Bins

Stock #	Sliding Assembly Width S	Assembled Product Dimensions			Finish	Capacity per Bin	Number of Bins	Units per Carton	Weight per Carton
		W Width	H Height*	D Depth					
SINGLE BIN UNITS									
WUSC12-1-35WH	11-1/4" [286 mm]	11-1/4" [286 mm]	19-1/4" [489 mm]	22-3/8" [568 mm]	White	35 Qt.	1	1	19.7 lbs. [8.9 kg.]
WUSC12-1-35PT	11-1/4" [286 mm]	11-1/4" [286 mm]	19-1/4" [489 mm]	22-3/8" [568 mm]	Platinum	35 Qt.	1	1	19.7 lbs. [8.9 kg.]
WUSC12-1-50WH	11-1/4" [286 mm]	11-1/4" [286 mm]	23-5/16" [592 mm]	22-3/8" [568 mm]	White	50 Qt.	1	1	19.7 lbs. [8.9 kg.]
WUSC12-1-50PT	11-1/4" [286 mm]	11-1/4" [286 mm]	23-5/16" [592 mm]	22-3/8" [568 mm]	Platinum	50 Qt.	1	1	19.7 lbs. [8.9 kg.]
DOUBLE BIN UNITS									
WUSC12-2-27WH	11-1/4" [286 mm]	11-5/8" [286 mm]	19-5/8" [498 mm]	22-3/8" [568 mm]	White	27 Qt.	2	1	20.9 lbs. [9.5kg.]
WUSC12-2-27PT	11-1/4" [286 mm]	11-5/8" [286 mm]	19-5/8" [498 mm]	22-3/8" [568 mm]	Platinum	27 Qt.	2	1	20.9 lbs. [9.5kg.]
WUSC15-2-35WH	14-1/4" [362 mm]	14-5/8" [372 mm]	19-1/4" [489 mm]	22-3/8" [568 mm]	White	35 Qt.	2	1	23.5 lbs. [10.7 kg.]
WUSC15-2-35PT	14-1/4" [362 mm]	14-5/8" [372 mm]	19-1/4" [489 mm]	22-3/8" [568 mm]	Platinum	35 Qt.	2	1	23.5 lbs. [10.7 kg.]
WUSC18-2-50WH	16-7/8" [429 mm]	16-7/8" [429 mm]	23-1/32" [592 mm]	22-7/16" [570 mm]	White	50 Qt.	2	1	24 lbs. [10.8 kg.]
WUSC18-2-50PT	16-7/8" [429 mm]	16-7/8" [429 mm]	23-1/32" [592 mm]	22-7/16" [570 mm]	Platinum	50 Qt.	2	1	24 lbs. [10.8 kg.]

* If using lid, add 3/4".

Not intended for bulk storage.



KNAPE & VOGT

2700 Oak Industrial Dr. NE
Grand Rapids, MI 49505-6026 USA
1.800.253.1561 | 616.459.3311
Fax: 877.636.3290
www.kv.com