

OVERALL DIMENSIONS



SPECIFICATIONS

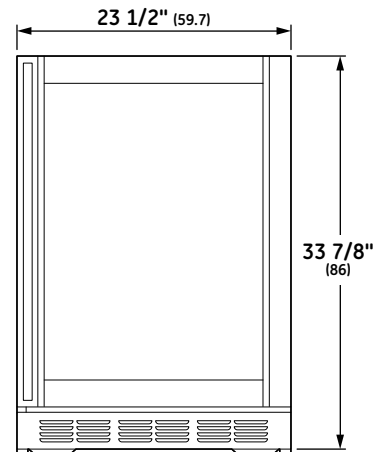
Overall Width	23 1/2" (59.7 cm)
Overall Height	33 7/8" (86 cm)
Overall Depth	23 3/8" (59.4 cm)
Door Clearance	9 3/8" (23.8 cm) @ 110° 2" (5.1 cm) @ 90° 23 1/4" (60.6) door length
Overall Capacity	5.5 cu. ft.
Minimum Cabinet Width	23 3/4" (60.3 cm)
Minimum Cabinet Depth	24" (60.9 cm)
Cutout Width	23 3/4" (60.3 cm)
Cutout Height	34 1/2" (87.7 cm) Min 35" (89 cm) Max
Electrical Requirements	1.2 A
Voltz/Hertz/Amps	120 V, 60 Hz, 15 or 20 amp circuit
Shipping Weight	146 lb (66 kg)

ATTENTION ELECTRICIAN:

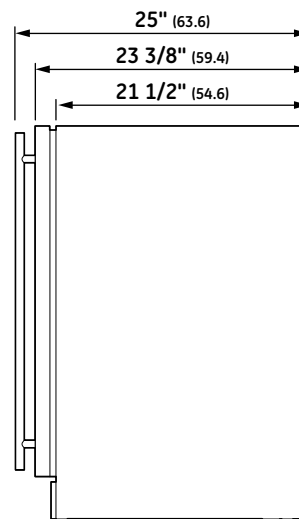
A 115 volt 60Hz., 15 or 20 amp power supply is required. An individual properly grounded branch circuit or circuit breaker is recommended. Install a properly grounded 3-prong electrical receptacle recessed into the back wall.

Dimensions in parentheses are in centimeters unless otherwise noted.

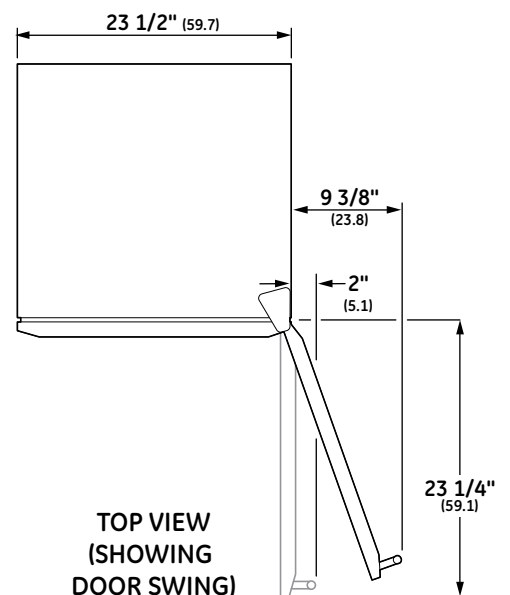
Actual product dimension may vary due to manufacturing tolerances.



FRONT VIEW

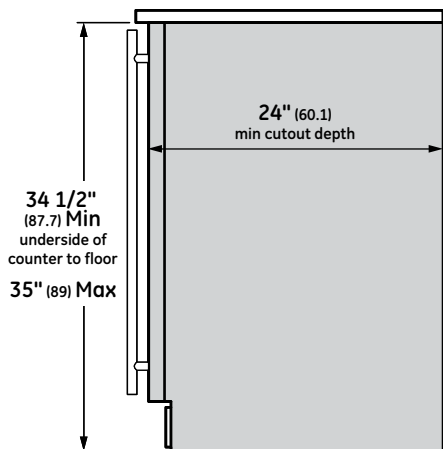


SIDE VIEW

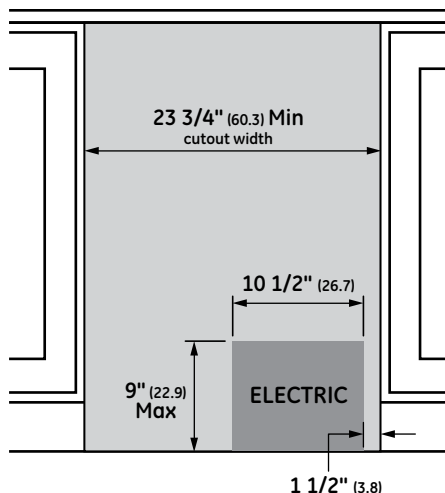


TOP VIEW (SHOWING DOOR SWING)

INSTALLATION



FLUSH CUTOUT INSTALLATION
SIDE VIEW



INSTALLATION CUTOUT
FRONT VIEW

NOTES

Installation Space

The Monogram® Beverage Center may be installed beneath a countertop or can be used free-standing.

- If installing between frameless cabinets, a 1/2"-wide filler strip or side panel may be required. The filler strip will act as a spacer between the door case and adjacent cabinet and will prevent interference with cabinet door swing. The width of the opening must include filler panel.

Note: When installed, the door should project forward 1" of adjacent 24"-deep cabinets.

Location Requirements

All Monogram Refrigeration Modules may be closed in on the top and sides as long as the front is unobstructed for air circulation and door swing.

- Do not install these products where the temperatures will go below 55°F (13°C) or above 90°F (32°C).
- Do not install where they will be subject to direct sunlight, heat or moisture.
- These products are not designed to be stacked one over the other.

Side-by-Side Installation

For a complete refreshment center, install a Monogram Wine Reserve and Beverage Center together.

- Products must operate from separate properly grounded receptacles.

Door Swing Clearances

All Monogram Refrigeration Modules are factory set for a 110° door swing.

When installed in a corner:

- Allow the minimum door swing clearances shown.
- The minimum clearance shown at 90° will allow full extension of drawers and shelves.

FEATURES AND BENEFITS

Adjustable Temperature Control - Maintains a consistent temperature

Full-extension slide-out refrigerated drawers - Storage for everything from whole melons to 146 12-oz. cans

LED Temperature Display - Allows you to monitor the temperature at a glance

Beverage Shelf on Full-Extension Slides - Holds up to five wine bottles or ten 12-oz. cans

Unfinished heart-of-cherry wood beverage shelf fronts - Can be finished to complement surrounding cabinetry

Removable Spillproof Glass Shelves - Helps contain spills for ease of cleaning

Flush Installation - Allows near-seamless integration with surrounding cabinetry

Reversible Door Swing - Easily reversed to left or right door swing as needed

Stainless steel tubular handle - Designed to coordinate with other Monogram appliances

Soft Interior Lighting - Automatically illuminates when the door is open, but can be activated by an internal on/off switch

UV resistant, tempered glass door - Affords a full view of beverage center contents

Quick Space Shelf - Slides out of the way to make room for tall items



ZDBR240HBS - beverage center with digital controls

