

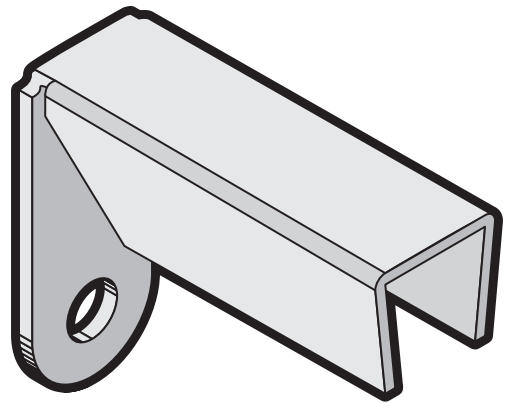
Fence Mounting Bracket

Model # - MBFUS

Installation Instructions

Step 1

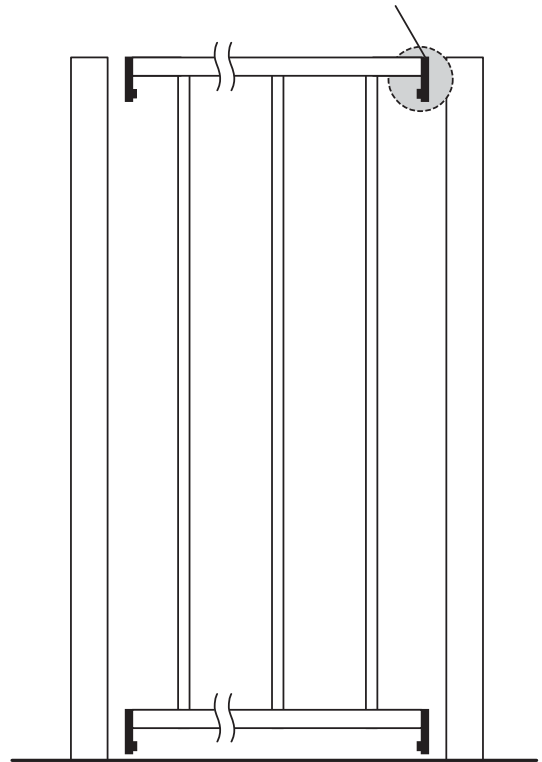
Place all four of the fence mounting brackets into the ends of the panel rails with the tabs facing downward (*fig.1*).



Step 2

Align the panel between the posts making the top edge of the post flush with the top rail. Place blocks under the panel to hold in at the desired height. Mark the location of the mounting holes in the four mounting brackets.

Fence Mounting Bracket



Step 3

Remove the panel and drill 3/16" diameter pilot holes in the posts where marked.

Step 4

Replace the fence panel (with the mounting brackets still in the rails) and secure to the posts with the screws provided (*fig. 2*).

Tools Required

- Pencil
- Tape measure
- Drill
- 3/16" steel drill bit
- Flat blade screwdriver or ratchet with a 3/8" socket

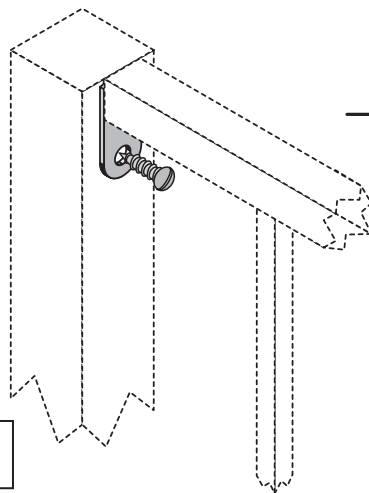


fig. 2

fig. 1



U.S. DOOR AND FENCE

U.S. Door and Fence, LLC., 3880 Garner Road, Riverside CA 92501-1066

For questions, please contact by phone(951)300-0010 or fax (951)300-0016

For warranty information, please contact warranty@usdoorfence.com