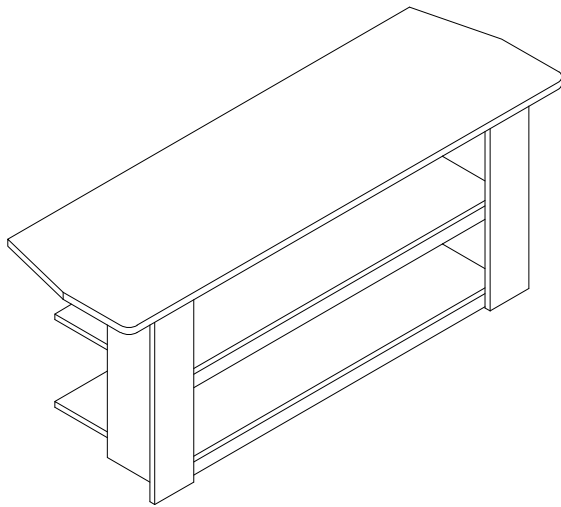


ASSEMBLY INSTRUCTION

Item No: I 388-42

Description: ENTERTAINMENT CONSOLE



IMPORTANT NOTE:

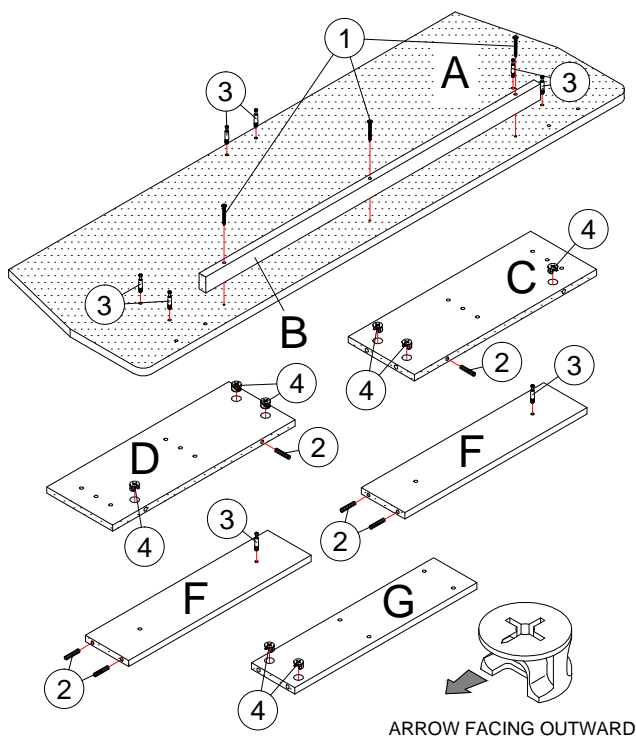
- Place all wooden parts on a clean and smooth surface such as a rug or carpet to avoid the parts from being scratched.
- Check to be sure that you have all parts and hardware.
- Remove all wrapping materials, including staples & packing straps before you start to assemble.
- Do not tighten all screws/bolts until all completely assembled.
- Keep all hardware parts out of reach of children.

Each Item

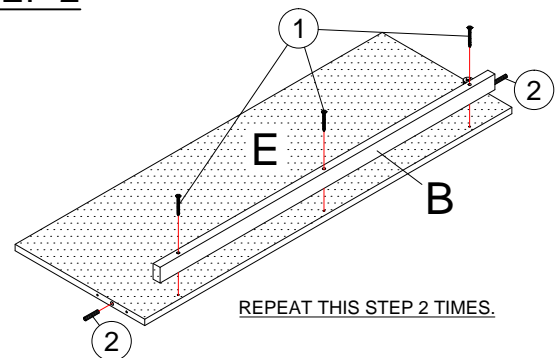
PARTS LIST		
NO	COMPONENT	QTY
A	TOP PANEL	1 PC
B	APRON PANEL	3 PCS
C	LEFT SIDE PANEL	1 PC
D	RIGHT SIDE PANEL	1 PC
E	SHELF PANEL	2 PCS
F	FRONT PANEL	2 PCS
G	BACK PANEL	1 PC

HARDWARE LIST		
NO	DESCRIPTION	QTY
1	SCREW	21 PCS
2	WOODEN DOWEL	10 PCS
3	CAM-LOCK SCREW	8 PCS
4	CAM-LOCK NUT	8 PCS
5	NAIL LEG	8 PCS
6	SCREW COVER	12 PCS
7	STICKER	8 PCS

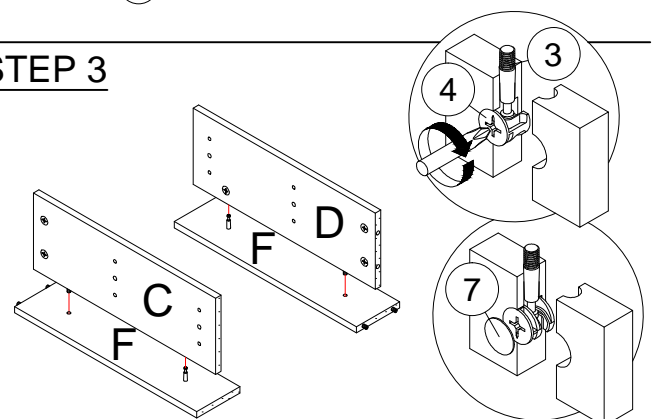
STEP 1



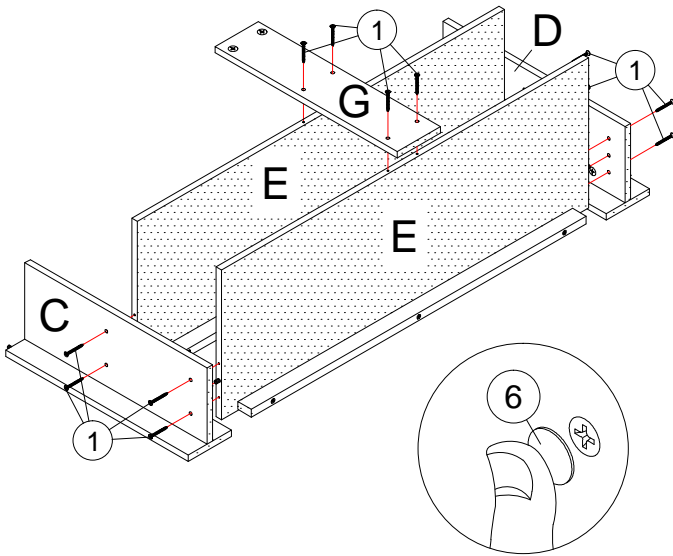
STEP 2



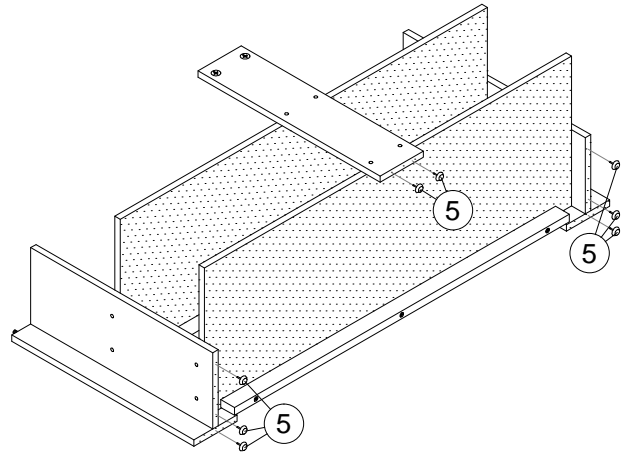
STEP 3



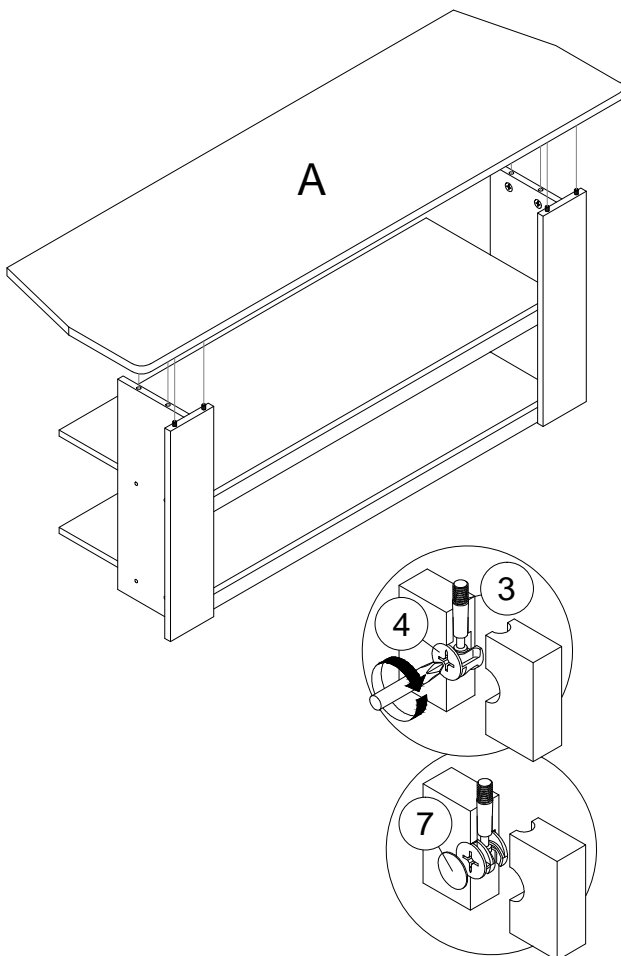
STEP 4



STEP 5



STEP 6



FINISH VIEW

