

CS-2500 Water Filtration System

INSTALLATION INSTRUCTION & OWNER'S MANUAL Ver 1.0



APEC WATER



FREE DRINKING WATER.COM

All Rights Reserved © APEC Water Systems

*Thank you for choosing APEC reverse osmosis systems.
You now own the finest water filter in America.*

Please read and become familiar with instructions and parts needed before proceeding with the installation.

BEFORE INSTALLATION:

Inspect the system:

Please take the system and all the components out of the box. Inspect the system and all the connection fittings carefully, make sure nothing is damaged during shipping. If any part is cracked or broken, please do not proceed with the installation and contact APEC or your distributor for an exchange or diagnosis.

Recommended tools list:

- Variable speed drill
- Adjustable wrench, pliers
- Phillips screwdriver
- Utility knife, or scissors
- Teflon tape

Operating Parameter

- Operating pressure: 100psi maximum
- Feed water temperature: 35 – 100 degree F (2-37 degree C)
- **Do not** connect this unit to **hot** water source
- Install the system in a sheltered environment, avoid exposure to hot and cold weather or under direct sun light.

General Installation/Operation/Maintenance Requirements

- Installation needs to comply with state and local laws and regulations.
- System must be installed indoor away from possible environmental damage
- Do not use with water that is microbiologically unsafe or of unknown quality without adequate disinfection before or after system. Systems certified for cyst reduction may be used on disinfected water that may contain filterable cysts.

Copyright:

This manual is copyrighted by APEC Inc. Under the copyright laws, this manual may not be reproduced in any form, in whole or part, without the prior written consent of APEC Inc. Manual print ver. 1.0, 2015 May.

Components included with the system:

Make sure you have all these parts before starting installation.



Filter x 1



Bracket x 1



Filter Cap x 1



Bracket Mounting Screw x 4



3/8" Water Supply Line x 2

INSTALLING THE SYSTEM

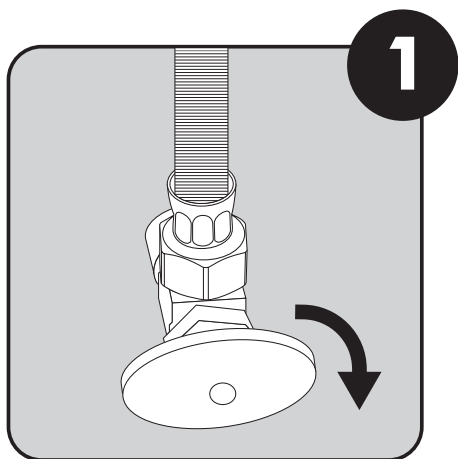
Space: Make sure there is sufficient space under the counter for installation

The system is best installed under the kitchen sink. But if that is not feasible you can install the system anywhere where there is a cold water supply with sufficient water pressure.

Note: System is primary used as a POU (point of use) system. It is not recommended to connect it on a location that has multiple outlets.

Mounting: Recommend mounting the system on the wall; please leave minimum 6 inch of space underneath the filter to make sure filter cartridge can be taken down easily for filter replacement.

Step 1: Disconnecting the Existing Cold Water Supply Line

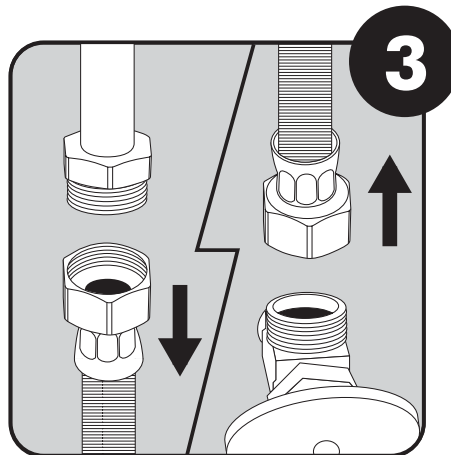


Locate the **Cold** water supply valve under the kitchen sink (the round or oblong handle on the right side). Turn off the incoming cold water completely by turning the shut off handle clockwise.

Note: If the cold water shut off valve cannot turn off the water, the main water supply to the house must be shut off for the installation.

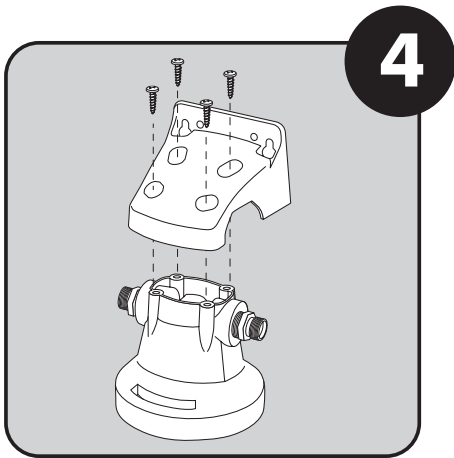


Turn the faucet handle to the **ON** position to release the remaining water.



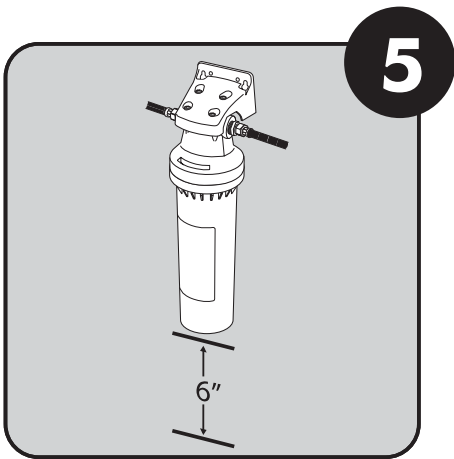
Disconnect the existing fittings and hose from the cold water supply valve to the faucet.

Step 2: Mounting the Bracket



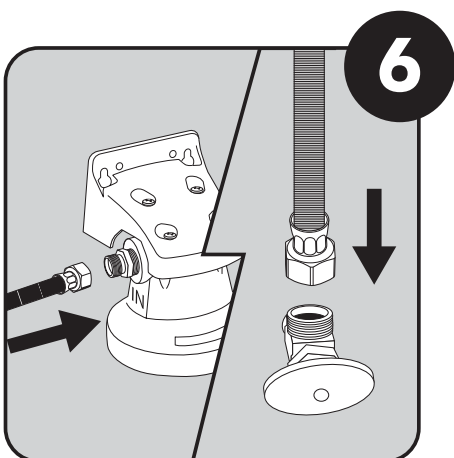
Hold the system with the filter label side facing you. **Look on top of the cap to make sure the arrow is pointing towards your right.** That arrow indicates the water flow direction

Screw the bracket to the top of the system cap with the front end facing the same side as the filter label. Please use the front holes for the two screw holes on the backside.

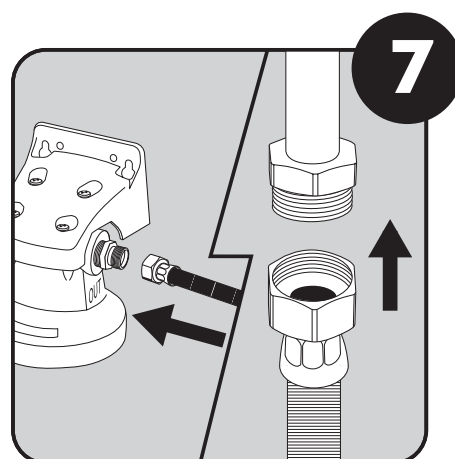


With the appropriate nails or hanger, mount the system to the wall. Make sure to mount the system close enough to connect to both the cold water valve and connector to the faucet. Leave minimum 6 inch of space underneath the filter for filter change.

Step 3: Connecting The System

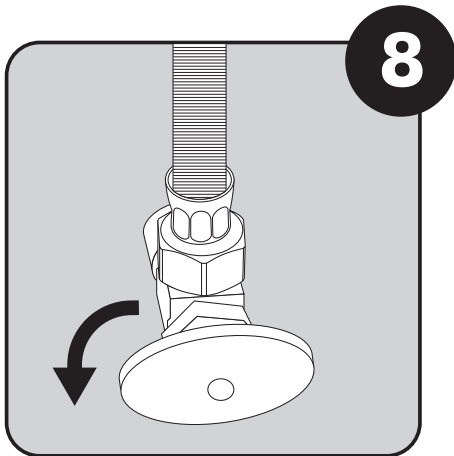


Connect one end of the 1st water supply line to the side of the cap that indicate "IN" and connect the other end of the same water supply line to the cold water valve.

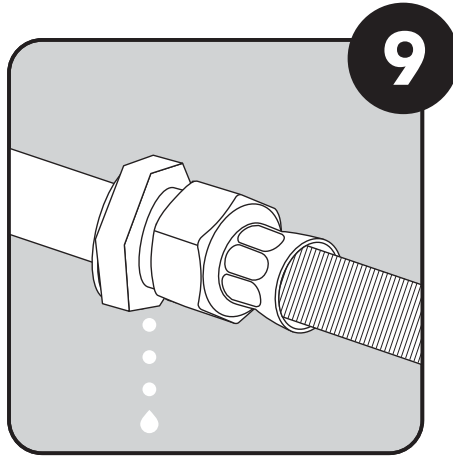


Connect one end of the 2nd water supply line to the side of the cap that indicate "OUT" and connect the other end of the same water supply line to the sink faucet cold water input.

Step 4: System Start-Up



Turn on feed water:
Slowly, turn on your Cold water supply. Turn **counter-clockwise** to allow the raw water to enter the system.



Check for leaks!



Turn on the cold water faucet and let it flush the new system for up to 5 minutes.

Congratulations! You have successfully installed the APEC Water Filtration System!

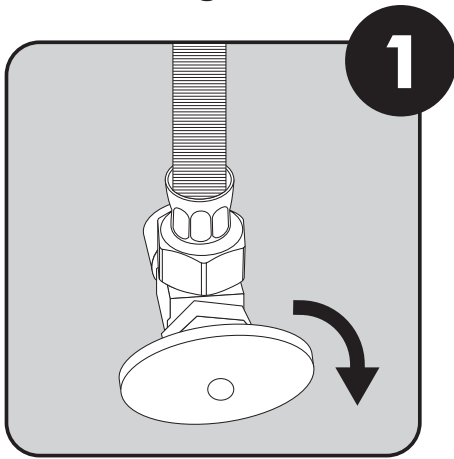
* * * End Installation Section * * *

SYSTEM MAINTENANCE

The system requires very little maintenance. Just change the filter cartridges regularly as indicated on the filter label (Replacement time may vary based on the condition of source water). Keep the system indoors away from extreme heat or cold temperatures, and run the system within its reasonable output capacity (i.e. allow the system to rest at least a few hours a day).

To properly maintain your APEC water filtration system, please use only genuine APEC Water replacement filters at www.FreeDrinkingWater.com/filters

Filter Change Instruction

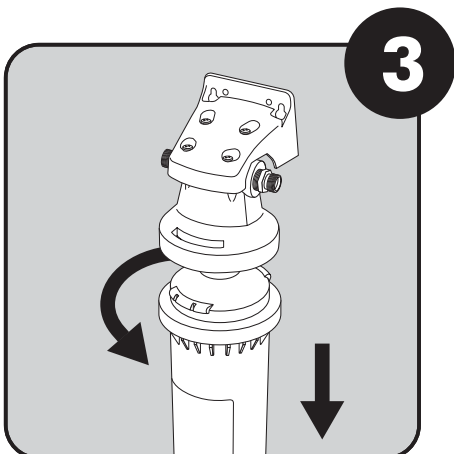


Locate the **Cold** water supply valve under the kitchen sink (the round or oblong handle on the right side). Turn off the incoming cold water completely by turning the shut off handle clockwise.

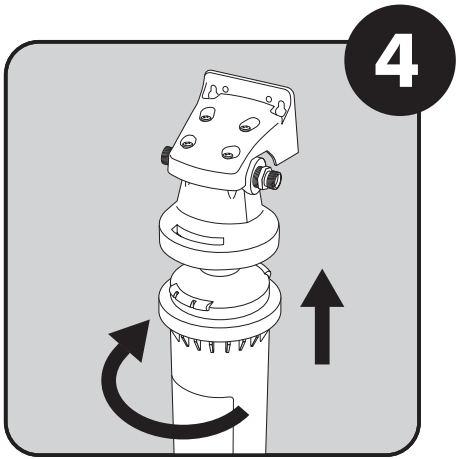
Note: If the cold water shut off valve cannot turn off the water, the main water supply to the house must be shut off for the installation.



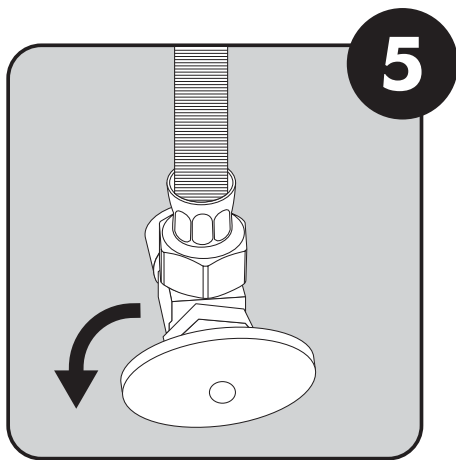
Turn the faucet handle to the **ON** position of cold water side to release the remaining water and relief the built-up pressure inside the system.



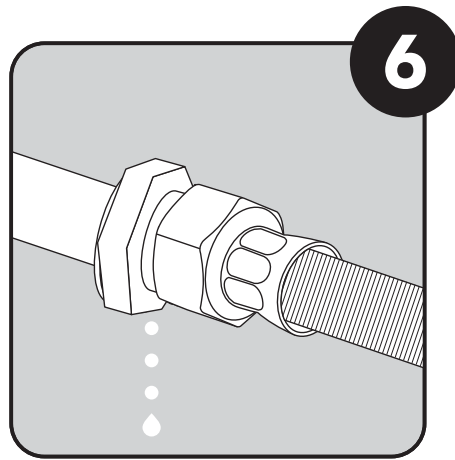
Hold on to the system and remove the filter by turning **Counterclockwise** and gently pull down to remove the filters. To prevent spills, hold the filter in an upright position. Lay the old filter on a towel to absorb any water that drips out.



Hold on to the new filter with the label side facing you and align the two teeth indent to the two teeth on the cap. After the filter and the cap is align, gently push up and turn **Clockwise** until it locks in place. Gently pull down to make sure the filter is secure in place.



Turn on feed water:
Slowly, turn on your Cold water supply. Turn **counter-clockwise** to allow the raw water to enter the system.



Check for leaks!



Turn on the cold water faucet and let it flush the new system for up to 5 minutes.

*** End Filter Change Section ***

LIMITED PRODUCT WARRANTY

Scope

APEC takes pride in selling a superb line of products, including this water filtration system ("Product"). As such, APEC expressly warrants to the original purchaser that, for a period of one (1) year from the date of purchase, the Product will be reasonably free of defects in materials and workmanship. Within that one (1) year period from the original purchase, APEC will, at its option, repair or replace the Product without charge, or refund the cost of the Product, if the Product fails or does not perform as warranted solely due to a manufacturing defect within the warranty period, subject to the limitations and exclusions set forth in this Limited Product Warranty. This Limited Product Warranty only applies when the Product is used, stored, handled, fabricated and/or installed in the manner recommended by APEC in the Installation Instruction & Owner's Manual ("Manual").

Repair or Replacement

Repair or replacement during this one (1) year warranty shall include reasonable labor charges necessary to repair or replace the defective Product, but shall not include freight charges or any other local labor charges from third parties other than APEC, unless APEC expressly approves such charges in writing. During the entire one (1) year warranty, APEC's obligation to repair or replace shall further be limited to repair or replacement with the styles, models, products, colors, etc. of the Product that are available at the time of the repair or replacement, and shall be limited to the repair or replacement of only the specific Product that fails due to a manufacturing defect. Any repaired or replaced product shall also remain subject to the original one (1) year warranty from the date of the original purchase, and any repair or replacement shall not extend the original warranty period in any manner or start a new warranty period.

Conditions of Validity of this Limited Product Warranty

Even though the Product has extremely high endurance for operating conditions such as pH, maximum TDS, temperature, and optimum water pressure, THIS LIMITED PRODUCT WARRANTY SHALL ONLY BE VALID IF:

1. The replaceable filters are changed and maintained on a regular basis as directed in the Manual. Moreover, depending on local water input water quality, regular maintenance may need to be increased.
2. The Product is operated within the confines of the following standard operating conditions:

	Water Pressure	Water Temperature
Water Filtration System	20 - 100 psi	35-100 F

Any information or suggestion by APEC with respect to the Product concerning applications, specifications or compliance with codes and standards is provided solely for your convenient reference and is made without any representation as to accuracy or suitability. You must verify and test the suitability of any information with respect to the Product for your specific application.

Non-Covered Defects

THIS LIMITED PRODUCT WARRANTY DOES NOT COVER DEFECTS CAUSED BY:

1. Improper storage, installation, maintenance, handling, use and/or alterations of the Product, including, but not limited to, non-compliance with the installation, maintenance and standard operation conditions stated in the Manual and this Limited Product Warranty.
2. Unreasonable use, unintended use, or misuse of the Product for something other than its intended purpose as a reverse osmosis system.
3. Use of replacement parts, filters, membranes or other accessories that are not sold or manufactured by APEC for use with this particular Product.
4. Damage not resulting from manufacturing defects that occur while the Product is in the original purchaser's possession.
5. Installation of the Product with known or visible manufacturing defects at the time of installation.
6. Damage caused by freezing, flood, fire or Act of God.

CONDITIONS THAT RENDER THIS LIMITED PRODUCT WARRANTY VOID

THIS LIMITED PRODUCT WARRANTY SHALL BE VOID IF:

1. The Product is not operated in compliance with normal municipal water conditions for which the particular model of this Product is intended.
2. The person seeking to invoke the warranty is not the original purchaser. That is, this Limited Product Warranty only extends to original purchasers.
3. The is purchased used. That is, this Limited Product Warranty only covers new products.
4. The Product is purchased from someone other than APEC or one of APEC's authorized dealers. This is because, unless the Product was sold by APEC or one of its authorized dealers, APEC cannot verify or guarantee the integrity or authenticity of the Product.

General Conditions

The warranties set forth herein are the only warranties made by APEC in connection with the product. APEC cannot and does not make any implied or express warranties with respect to the product, and disclaims all other warranties, including, but not limited to, any warranty of merchantability or fitness for a particular purpose. Products sold by APEC are sold only to the specifications specifically set forth by APEC in writing. Other than the limited product warranty set forth herein, APEC makes no other warranties, express or implied. APEC's sole obligation under this warranty shall be repair or replacement of a non-conforming product or parts of the product, or at the option of APEC, return of the product and a refund of the purchase price. Buyer assumes all risk whatsoever as to the result of the use of the product purchased, whether used singularly or in combination with any other products or substances.

No claim by the buyer/owner of any kind, including claims for indemnification, shall be greater in amount than the purchase price of the products in respect to which damages are claimed. In no event shall APEC be liable to buyer/owner in tort, contract or otherwise, for any special, indirect, incidental, consequential, reliance, statutory, special, punitive or exemplary damages, including, but not limited to, lost profits, loss of use, loss of time, inconvenience, damage to good will or reputation, or loss of data, even if advised of the possibility of such damages or such damages could have been reasonably foreseen, in connection with, arising out of, or as a result of, the sale, delivery, servicing, use or loss of use of the products sold hereunder, or for any liability of buyer to any third party with respect thereto.

Obtaining Warranty Coverage or General Inquiries

If coverage is available, you may obtain coverage under this Limited Product Warranty by providing APEC with proof of original purchase, and that you are the original purchaser. For service under this Limited Product Warranty, you must notify APEC by phone at 1-800-880-4808, by email at techsupport@freedrinkingwater.com, or in writing at 1320 S. Johnson Dr., City of Industry, CA 91745. In making the claim, please provide your name, address, phone number, a description of the product involved, and an explanation of the defect.



Advanced Purification Engineering Corp.

1320 S Johnson Drive
City of Industry, CA 91745

For questions or comments please visit our website at:

FreeDrinkingWater.com

For technical support contact us at:

Techsupport@freedrinkingwater.com
1-800-880-4808