

PREMIUM PARTS & ACCESSORIES  
**2019 CATALOG**



## OUR PRODUCTS **PERFORM FOR YOU**

We believe every cleaning task should be an experience performed as quickly and efficiently as possible. We have dedicated ourselves to researching and developing the highest quality parts and accessories so you can get the job done the first time, every time.

We proudly manufacture premium parts & accessories from AAA™, OEM Technologies™ and SIMPSON® brands to provide the products you need to handle any cleaning experience! We strive to deliver functional innovation with every product we design.

**THIS IS WHAT WE DO.**

SERIES



RPM 3400 | SHAFT 19.05mm | FLANGE SAE J-609A



	MAX GPM	RPM	kw
o	2.8	3400	3.9
o	3.2	3400	4.2
o	2.5	3400	3.8

oil reservoir breather

ails

POWER BOOST

PUMPS

PUMP COMPONENTS

NOZZLES

HOSES

ACCESSORIES

# THIS CATALOG IS INTERACTIVE

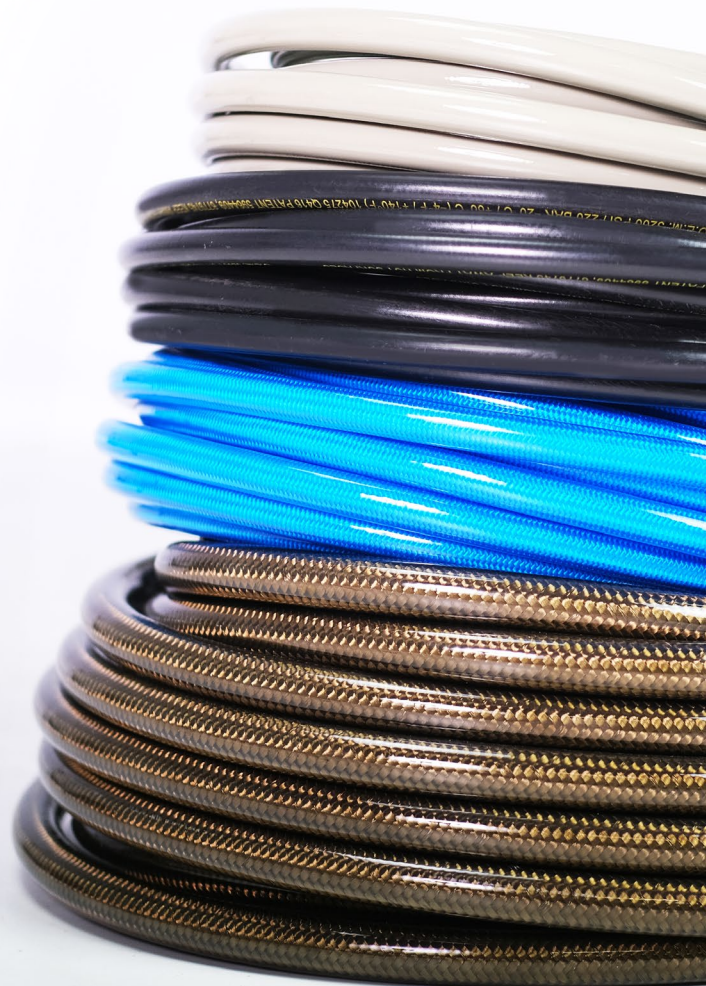
Simply click the tab of the parts section you would like to view or refer to the table of contents. For more information

Note: If section tabs don't link properly, try viewing in "full screen mode". To enable full screen mode, click View>Full Screen Mode.



### Disclaimer of Liability:

In the preparation of this catalog, every effort has been made to offer the most current, correct and clearly expressed information possible. Nevertheless, inadvertent errors in information may occur and information may become dated. In particular, but without limiting anything stated herein, FNA Group, Inc. disclaims any responsibility for errors and accuracy or timeliness of the information that may be contained in this catalog FNA Group, Inc. catalog. FNA Group, Inc. also reserves the right to make changes in this catalog at any time without notice. If misleading, inaccurate or otherwise inappropriate information is brought to our attention, a reasonable effort will be made to fix or remove.



# THE POWER BEHIND THE BRAND



FNA Group is a world class manufacturer of branded and private label products that provide you with reliable performance everyday.

We bring powered solutions and innovation to our customers worldwide. FNA Group aspires to deliver unsurpassed quality products and customer service driven through operational excellence





# TABLE OF **CONTENTS**

---

POWERBOOST .....	6
PUMP .....	7-16
PUMP COMPONENTS .....	17 - 19
NOZZLES .....	20 - 22
HOSES .....	23 - 26
ACCESSORIES .....	27 - 31
FIITINGS .....	32 - 33
ENGINES .....	34

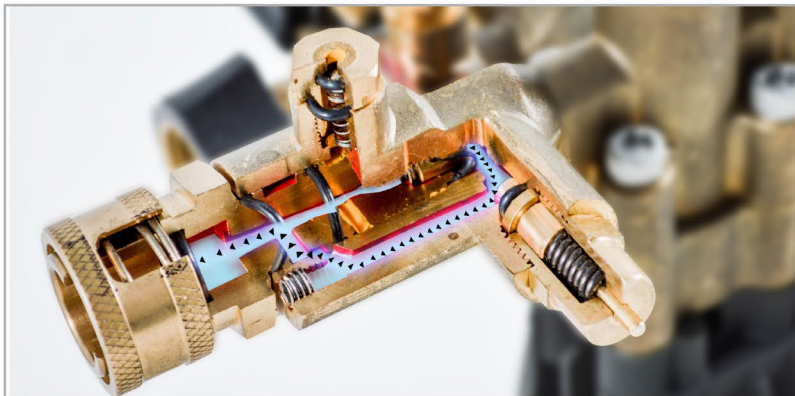
# POWER BOOST®

ADVANCED PUMP TECHNOLOGY



## INNOVATION IN ACTION

PowerBoost® pump system is an innovation in pump technology that enhances cleaning performance. In a typical pump, as high pressure travels from the pump head to outlet, a significant amount of pressure is lost due to chemical suction.



With PowerBoost® technology, high water pressure levels trigger a bypass around the venturi nozzle, where chemical suction takes place, reducing pressure loss. Pumps with PowerBoost® deliver higher pressure at the nozzle for improved impact and cleaning performance.

Vibration and heat are also reduced improving the operator's cleaning experience while extending the life of both pump and engine.



- ✓ MAXIMIZE WATER FLOW VOLUME
- ✓ INCREASE PRESSURE AT THE NOZZLE
- ✓ REDUCE PUMP VIBRATION AND HEAT
- ✓ EXTEND PUMP & ENGINE LIFE

# INDUSTRIAL TRIPLEX PUMP SERIES



## C32

RPM  
3400

SHAFT  
19.05mm

FLANGE  
SAE J-609A



### Direct Drive Hollow Shaft 19.05mm

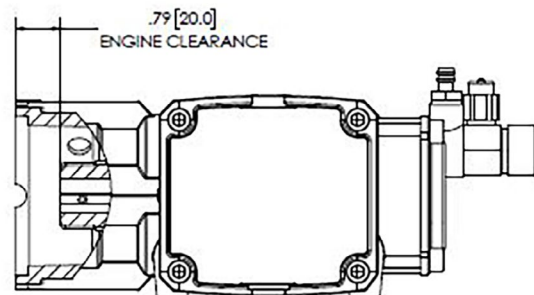
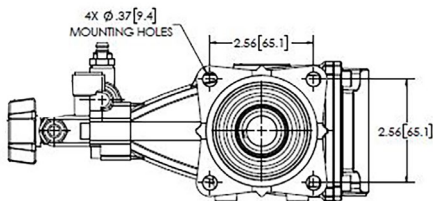


Part #	Shaft	Shaft DIA	Flange	Manifold Material	MAX PSI	MAX GPM	RPM	kw
530009	Hollow	19.05	SAE J-609A	Brass	3200	2.8	3400	3.9
530022	Hollow	19.05	SAE J-609A	Brass	3300	3.2	3400	4.2
530016	Hollow	19.05	SAE J-609A	Brass	3700	2.5	3400	3.8

◆ See page 6 for key information on Power Boost® Technology

■ Includes a siphon tube with filter for chemical cleaning, mounting bolts, shaft kit, and oil reservoir breather

## Pump Mounting Details



POWER BOOST

PUMPS

PUMP COMPONENTS

NOZZLES

HOSES

ACCESSORIES

FITTINGS

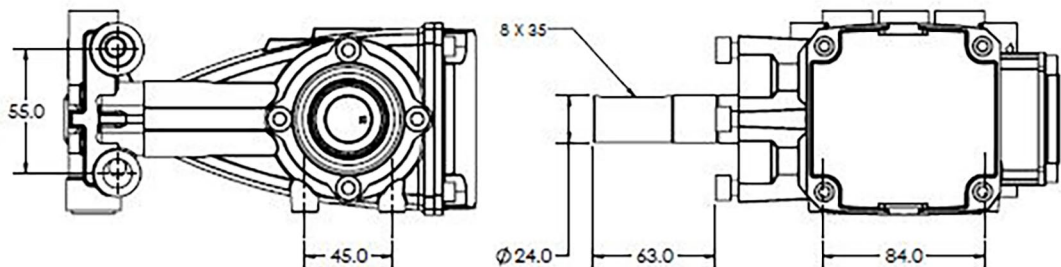
ENGINES

**Direct Drive Hollow Shaft 19.05mm**

Part #	Shaft	Shaft DIA	Flange	Manifold Material	MAX PSI	MAX GPM	RPM	kw
530018	Hollow	19.05	SAE J-609A	Brass	3200	2.8	3400	3.9
530030	Hollow	19.05	SAE J-609A	Brass	3300	3.2	3400	4.2
530028	Hollow	19.05	SAE J-609A	Brass	3700	2.5	3400	3.8

◆ See page 6 for key information on Power Boost® Technology.

■ Includes a siphon tube with filter for chemical cleaning, mounting bolts, shaft kit, and oil reservoir breather

**Pump Mounting Details**



# C32X

RPM  
3400

SHAFT  
24mm

FLANGE  
N/A

POWER BOOST

PUMPS

PUMP COMPONENTS

NOZZLES

HOSES

ACCESSORIES

FITTINGS

ENGINES



## Belt Drive Solid Shaft 24mm

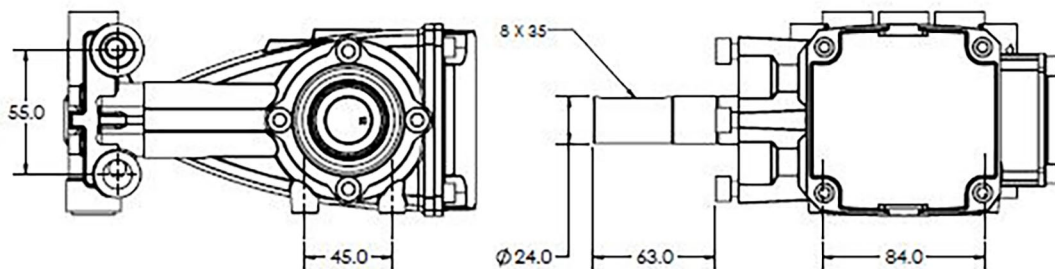


Part #	Shaft	Shaft DIA	Flange	Manifold Material	MAX PSI	MAX GPM	RPM	kw
530034	Solid	24	N/A	Brass	3200	2.8	3400	3.9
530019	Solid	24	N/A	Brass	3300	3.2	3400	4.2
530032	Solid	24	N/A	Brass	3700	2.5	3400	3.8

◆ See page 6 for key information on Power Boost® Technology

■ Includes a siphon tube with filter for chemical cleaning, mounting bolts, shaft kit, and oil reservoir breather

## Pump Mounting Details



# C42

RPM  
3400

SHAFT  
25.4mm

FLANGE  
SAEJ-609B



## Direct Drive Hollow Shaft 25.4mm

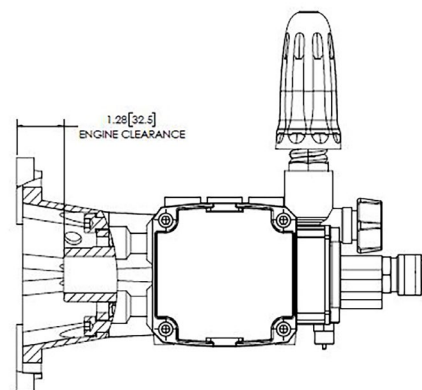
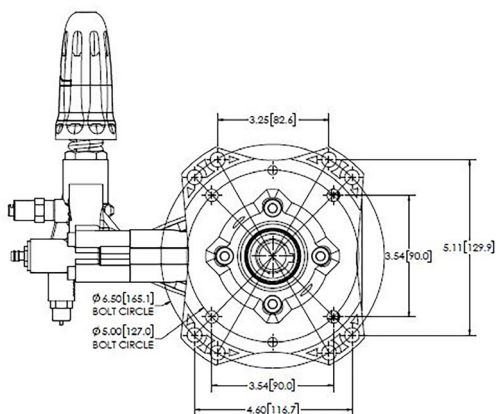


Part #	Shaft	Shaft DIA	Flange	Manifold Material	MAX PSI	MAX GPM	RPM	kw
530024	Hollow	25.4	SAE J-609B	Brass	3800	4	3400	6.3
530010	Hollow	25.4	SAE J-609B	Brass	4000	3.5	3400	6
530006	Hollow	25.4	SAE J-609B	Brass	4400	4	3400	8.1
530025	Hollow	25.4	SAE J-609B	Brass	4400	4.4	3400	8.5

◆ See page 6 for key information on Power Boost® Technology

■ Includes a siphon tube with filter for chemical cleaning, mounting bolts, shaft kit, and oil reservoir breather

## Pump Mounting Details





## Belt Drive Solid Shaft 24mm

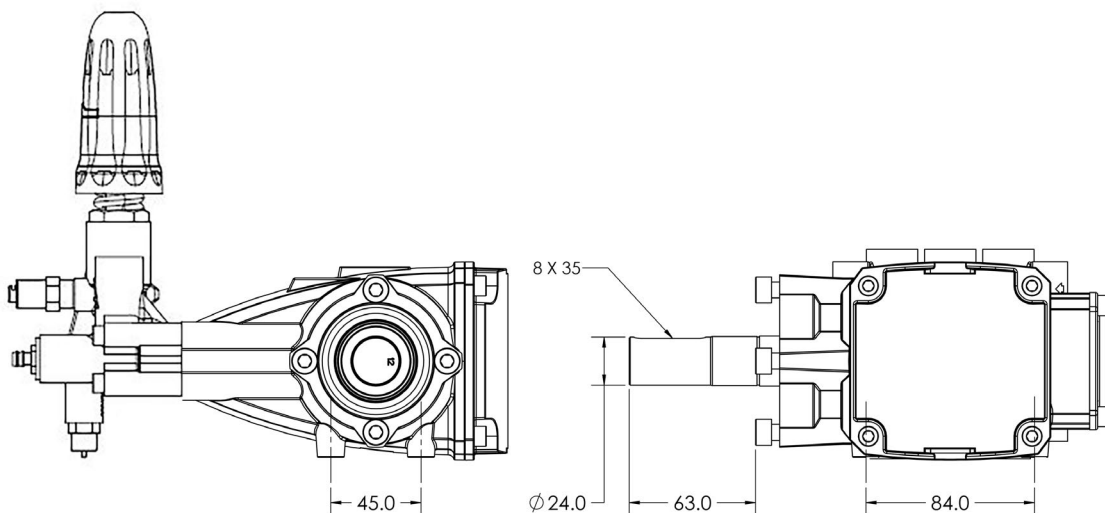


Part #	Shaft	Shaft DIA	Flange	Manifold Material	MAX PSI	MAX GPM	RPM	kw
530007	Solid	24	N/A	Brass	4400	4	3400	8.1
530026	Solid	24	N/A	Brass	4400	4.4	3400	8.5

◆ See page 6 for key information on Power Boost® Technology

■ Includes a siphon tube with filter for chemical cleaning, mounting bolts, shaft kit, and oil reservoir breather

## Pump Mounting Details



# C42X

RPM  
3400

SHAFT  
25.4mm

FLANGE  
SAE J-609B



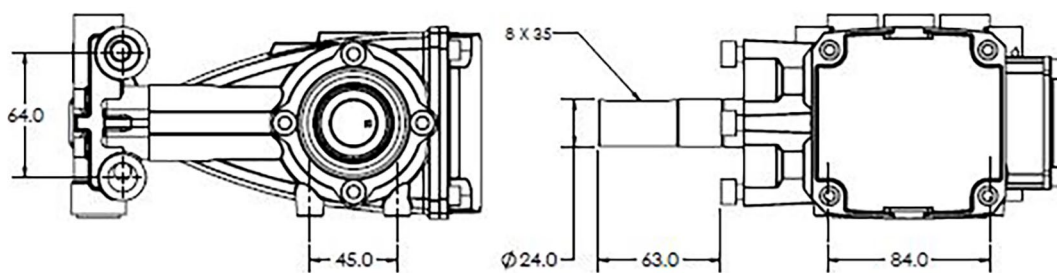
## Direct Drive Hollow Shaft 25.4mm



Part #	Shaft	Shaft DIA	Flange	Manifold Material	MAX PSI	MAX GPM	RPM	kw
530037	Hollow	25.4	SAE J-609B	Brass	3800	4	3400	6.3
530027	Hollow	25.4	SAE J-609B	Brass	4000	3.5	3400	6
530035	Hollow	25.4	SAE J-609B	Brass	4400	4	3400	8.1
530020	Hollow	25.4	SAE J-609B	Brass	4400	4	3400	8.5

- ◆ See page 6 for key information on Power Boost® Technology
- Includes a siphon tube with filter for chemical cleaning, mounting bolts, shaft kit, and oil reservoir breather

## Pump Mounting Details



# C42X

RPM  
3400

SHAFT  
24mm

FLANGE  
N/A

POWER BOOST

PUMPS

PUMP COMPONENTS

NOZZLES

HOSES

ACCESSORIES

FITTINGS

ENGINES



## Belt Drive Hollow Shaft 24mm

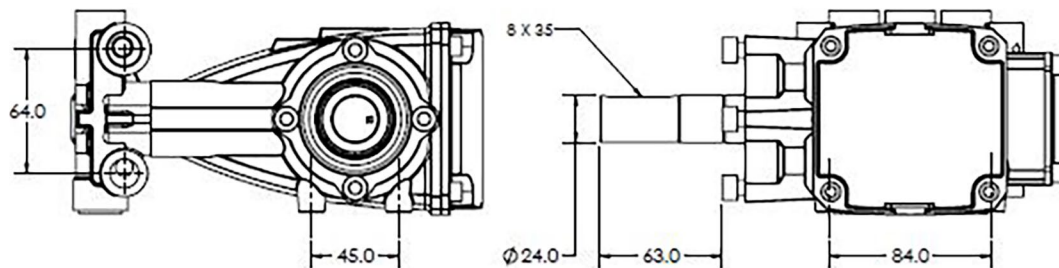


Part #	Shaft	Shaft DIA	Flange	Manifold Material	MAX PSI	MAX GPM	RPM	kw
530036	Solid	24	N/A	Brass	4400	4	3400	8.1
530021	Soild	24	N/A	Brass	4400	4.4	3400	8.5

◆ See page 6 for key information on Power Boost® Technology

■ Includes a siphon tube with filter for chemical cleaning, mounting bolts, shaft kit, and oil reservoir breather

## Pump Mounting Details



# AXIAL CAM PUMPS SERIES

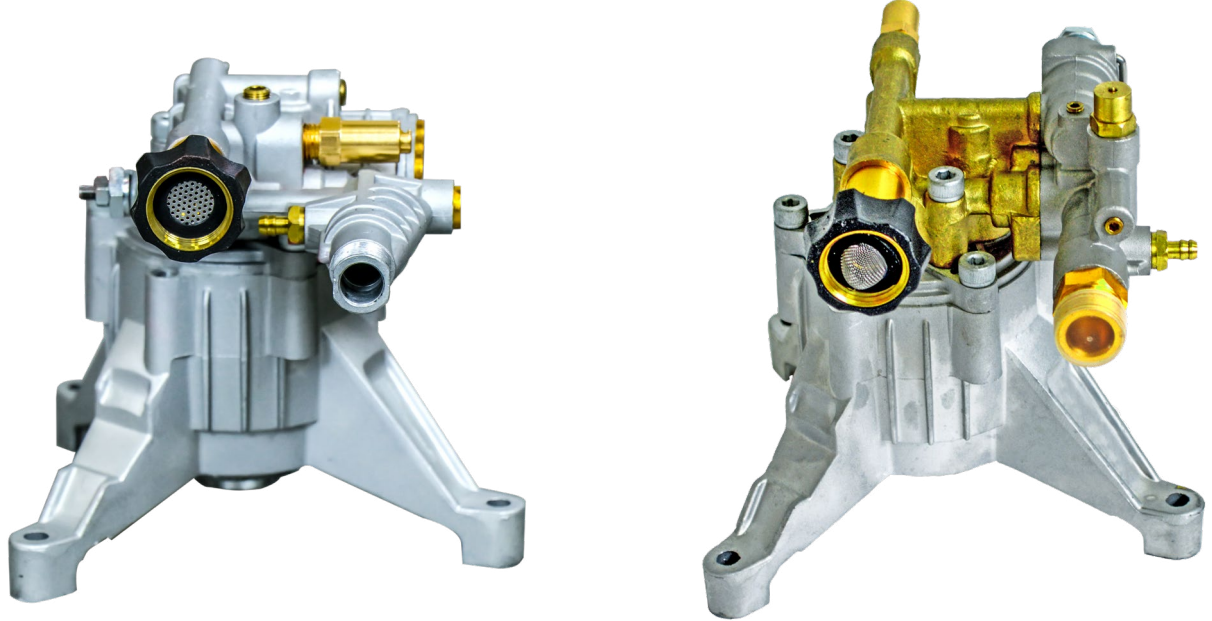


## Vertical

RPM  
3400

SHAFT  
22.22mm

FLANGE  
GARDEN



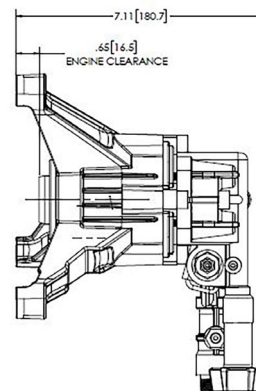
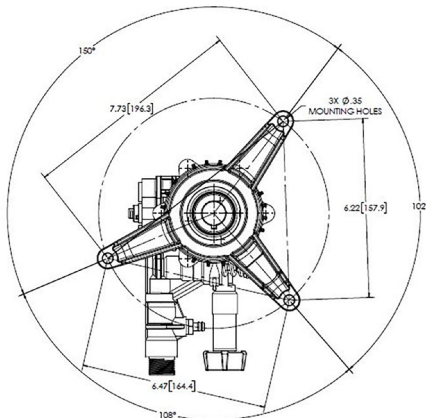
### Vertical Axial Cam Pump Specifications Hollow Shaft 22.22mm



Part #	Shaft	Shaft DIA	Flange	Manifold Material	MAX PSI	MAX GPM	RPM	kw
510017	Hollow	22.22	Garden	Aluminum	2400	2	3400	2.0
510026	Hollow	22.22	Garden	Aluminum	2800	2.3	3400	2.7
510020	Hollow	22.22	Garden	Aluminum	3000	2.4	3400	3.1
510015	Hollow	22.22	Garden	Brass	3200	2.5	3400	3.3

- Includes a siphon tube with filter for chemical cleaning, mounting bolts, shaft kit, and oil reservoir breather

### Pump Mounting Details



# Horizontal

RPM  
3400

SHAFT  
19.05mm

FLANGE  
SAE J-609A

POWER BOOST

PUMPS

PUMP COMPONENTS

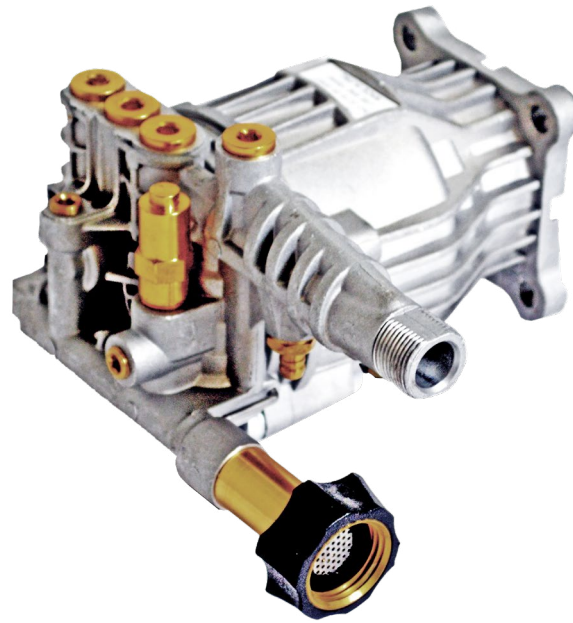
NOZZLES

HOSES

ACCESSORIES

FITTINGS

ENGINES



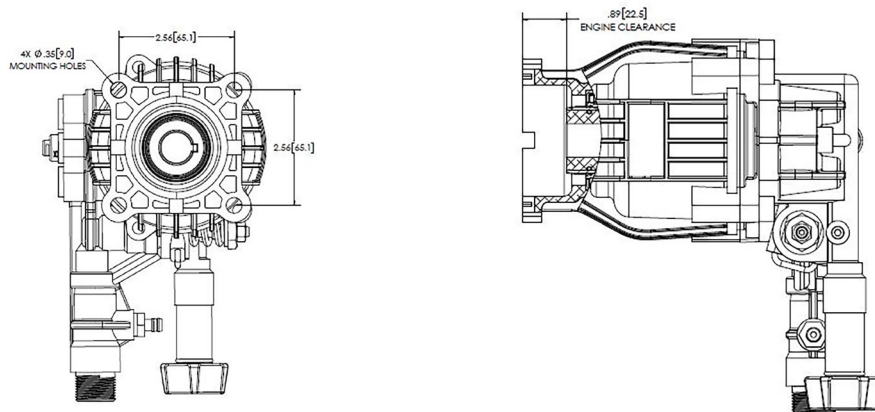
## Horizontal Axial Cam Pump Specifications Hollow Shaft 19.05mm



Part #	Shaft	Shaft DIA	Flange	Manifold Material	MAX PSI	MAX GPM	RPM	kw
520006	Hollow	19.05	SAE J-609A	Aluminum	3200	2.5	3400	3.4
520004	Hollow	19.05	SAE J-609A	Aluminum	3400	2.5	3400	3.4
520002	Hollow	19.05	SAE J-609A	Brass	3400	2.5	3400	3.6

■ Includes a siphon tube with filter for chemical cleaning, mounting bolts, shaft kit, and oil reservoir breather

## Pump Mounting Details



# AX300

RPM  
3400SHAFT  
19.05mmFLANGE  
SAE J-609A

## AX300 Axial Cam Pump Specifications

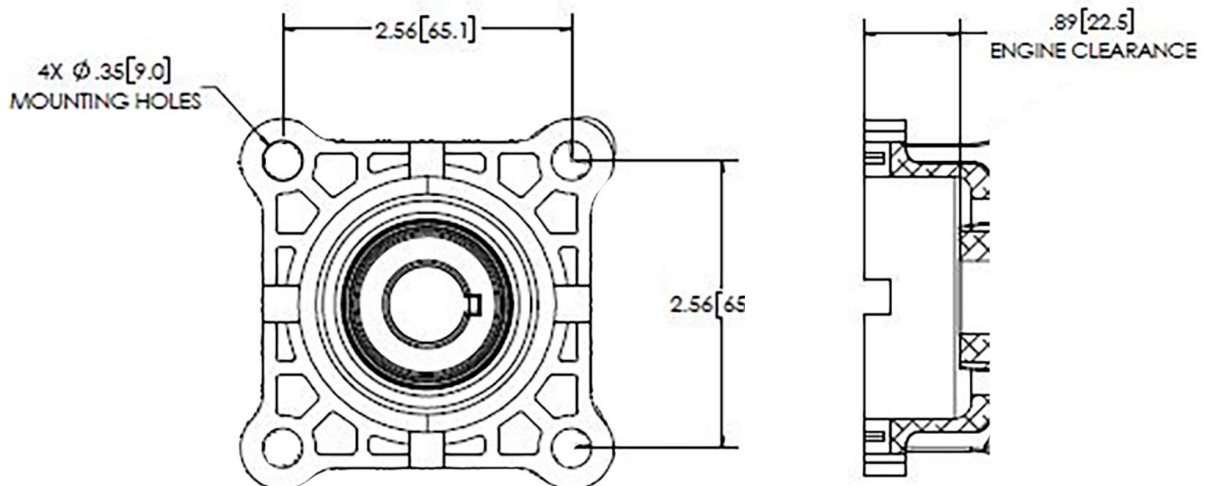
### Hollow Shaft 19.05mm



Part #	Shaft	Shaft DIA	Flange	Manifold Material	MAX PSI	MAX GPM	RPM	kw
540001	Hollow	19.05	SAE J-609A	Brass	3600	2.5	3400	3.8

- Includes a siphon tube with filter for chemical cleaning, mounting bolts, shaft kit, and oil reservoir breather

## Pump Mounting Details







## Chemical Components

### Downstream Chemical Injector Assembly with Siphon Tube & Filter



- Brass housing
- Adjustable chemical injection
- 4' chemical pick-up hose with filter
- Measures 5" in length

Part #	PSI	GPM	Max Temp	Inlet/Outlet Fitting	Hose Barb Diameter
80194	3500	3.0 - 4.0	180° F	3/8" MPT	1/4"
80195	3500	4.0 - 5.5	180° F	3/8" MPT	1/4"
80196	3500	5.5 - 10.8	180° F	3/8" MPT	1/4"

### Chemical Siphon Tube & Filter Kit



- 4' long chemical pick-up hose
- Weighted chemical filter
- Hose barb fittings

Part #	Inlet	Inner Diameter	Outer Diameter	Length
7102207	Tube Clear	1/4"	3/8"	4'

### Chemical Filters



- Prevents harmful particles from entering your pump
- Available in plastic and brass

Part #	Description	Tube
7108019	Weighted plastic	1/4"
7100338	Brass	1/4"

## Safety Components

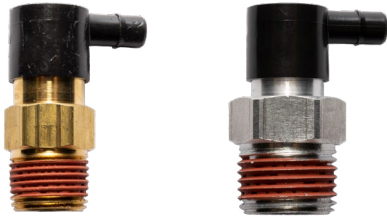
### Thermal Relief Valve



- Aluminum body prevents rusting
- Automatically resets
- No adjustment required

Part #	Description	Max Temp
7101359	1/4" NPT	140° F

## Thermal Relief Valve



- Anti-Rust Body Design
- Automatically resets
- No adjustment required

Part #	Description	Max Temp
7101356	3/8" NPT	140° F
7101331	1/2" NPT	140° F

## Pump Guard



- Protects pump from freezing temperature down to -25° F
- Minimizes harmful corrosion
- Lubricates valves, seats and pistons to prevent sticking
- Protects pump between uses

Model	Ounces
80130	12 oz

# Pump Oil



- Formulated to maximize pump performance and protect critical components by preventing wear and corrosion
- Oil to be changed after 50 hours of operation and every 100 hours thereafter

Part #	Ounces
7106737	16 oz

# Pump Unloaders

## Banjo Unloader



- Robust forged brass construction
- Only fits AAA Pumps

Part #	Max PSI	Max GPM	Inlet/Outlet	Bypass	Max Temp
80364	3600 PSI	12 GPM	3/8" FPT	3/8" FPT	194° F
80363	4500 PSI	12 GPM	3/8" FPT	3/8" FPT	194° F

# P1 Unloader



- Adjustable unloader
- Flexible design for remote application
- Robust forged brass and steel construction with high grade internal Stainless steel components

Part #	Max PSI	Max GPM	Inlet/Outlet	Bypass	Max Temp
80362	3600 PSI	12 GPM	3/8" FNPT	3/8" FNPT	194° F
80361	4500 PSI	12 GPM	3/8" FNPT	3/8" FNPT	194° F
80404	5500 PSI	12 GPM	3/8" FNPT	3/8" FNPT	194° F
80405	6500 PSI	12. GPM	3/8" FNPT	3/8" FNPT	194° F

# NOZZLES



## Spray Nozzles

### 3 Pack - 1/4" Quick Connect Soap Nozzles



- High pressure stainless steel quick connect nozzle tips
- Designed to fit pressure washers with quick connect spray wands
- Includes 15°, 40° stainless steel nozzles and an plastic soap nozzle

Part #	Max PSI	Nozzle Size	Fitting	Material	Max Temp
7111751	5000 PSI	2.5	1/4" QC	SS/ Plastic	212° F

### 4 Pack - 1/4" Quick Connect Nozzles



- High pressure stainless steel quick connect nozzle tips
- Designed to fit pressure washers with quick connect spray wands
- Includes 0°, 15°, 40° stainless steel nozzles and a plastic soap nozzle

Part #	Max PSI	Nozzle Size	Fitting	Material	Max Temp
7104774	5000 PSI	2.5	1/4" QC	SS/Plastic	212° F
7105176	5000 PSI	2.8	1/4" QC	SS/Plastic	212° F
7100637	5000 PSI	3.0	1/4" QC	SS/Plastic	212° F

### 5 Pack - 1/4" Quick Connect Nozzles



- High pressure stainless steel quick connect nozzle tips
- Designed to fit pressure washers with quick connect spray wands
- Includes 0°, 15°, 25°, 40° stainless steel nozzles and brass soap nozzle

Part #	Max PSI	Nozzle Size	Fitting	Material	Max Temp
7100634	5000 PSI	3.5	1/4" QC	SS/Plastic	212° F
7101683	5000 PSI	4.0	1/4" QC	SS/Plastic	212° F
7109302	5000 PSI	5	1/4" QC	SS/Plastic	212° F

## 1/4" Quick Connect Soap Nozzles



- Quick connect nozzle tips
- Designed to fit pressure washers with quick connect spray wands
- Wide fan spray pattern for low pressure chemical cleaning

Part #	Max PSI	Application	Fitting	Material	Max Temp
7100668	5000 PSI	Soap	1/4" QC	Brass/Plastic	212° F

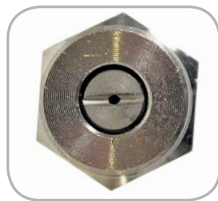
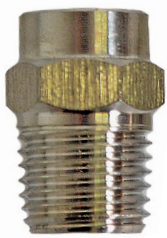
## Second Story Nozzle Set



- High reach soap and rinse spray nozzles for long distance cleaning jobs
- Propels soap and water further than standard nozzles
- Universal to fit pressure washers with quick connect spray wands
- Rated up to 5000 PSI

Part #	Max PSI	Application	Fitting	Material	Max Temp
7110975	5000 PSI	Rinse - blue Soap - orange	1/4" QC	Brass/ Plastic	212° F

## 1/4" Meg Nozzles



- Meg nozzles fit into male 1/4" threaded spray head
- Stainless steel resists rust and corrosion
- **Includes 0°, 15°, 40° stainless steel nozzles and an aluminum soap nozzle**

Part #	Max PSI	Nozzle Size	Fitting	Material	Max Temp
7110970	5000 PSI	5.0	1/4" MEG	Stainless Steel	212° F
7110971	5000 PSI	5.5	1/4" MEG	Stainless Steel	212° F
7110972	5000 PSI	6.0	1/4" MEG	Stainless Steel	212° F
7110973	5000 PSI	7.0	1/4" MEG	Stainless Steel	212° F

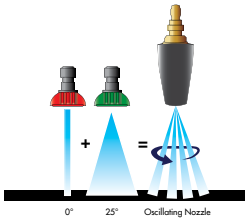
## 5-N-1 Multi-Tip Spray Nozzle



- Designed to fit most gas pressure washers with quick \ connect spray wands
- Fits standard 1/4" QC wand fittings
- Combines five different spray patterns into one convenient twist-able nozzle head
- Spray patterns include 0°, 15°, 25°, 40° and soap

Part #	Max PSI	Nozzle Size	Fitting	Max Temp
7110974	5000 PSI	2.8 - 0°/3.2 - 15°, 25° & 40°	1/4" QC	140° F

## Turbo Spray Nozzles Turbo Spray Nozzle Set



- 1/4" QC fittings
- Creates a powerful jet of oscillating water
- Cleaning impact of a 0°, with the area coverage of a 25°

### 3600 PSI Turbo Spray Nozzle



Part #	Max PSI	Nozzle Size	Fitting	Max Temp
80368	3600 PSI	3.0	1/4" QC	212° F

### 4500 PSI Turbo Spray Nozzles



Part #	Max PSI	Nozzle Size	Fitting	Max Temp
80369	4500 PSI	3.5	1/4" QC	212° F
80370	4500 PSI	4.0	1/4" QC	212° F
80371	4500 PSI	4.5	1/4" QC	212° F

### 5500 PSI Turbo Spray Nozzles



Part #	Max PSI	Nozzle Size	Fitting	Max Temp
80354	5500 PSI	4.0	1/4" QC	212° F
80355	5500 PSI	5.0	1/4" QC	212° F
80356	5500 PSI	6.0	1/4" QC	212° F
80357	5500 PSI	7.0	1/4" QC	212° F
80358	5500 PSI	8.0	1/4" QC	212° F



## Cold Water Pressure Washer Hose

### PVC Series



- Equipped with patented dual o-ring design to fit both 14mm and 15mm fittings
- Non-marring and durable to withstand harsh environments
- Polyester-braided for strength
- Designed to fit pressure washers with standard M22 fittings

Part #	Max PSI	ID	Length	Max Temp	Inlet/Outlet Fitting
30192	3200 PSI	1/4"	25'	140° F	M22
30193	3200 PSI	1/4"	30'	140° F	M22
30091	3200 PSI	1/4"	50'	140° F	M22

### Santoprene™ Series



- Dual-braided steel construction over polyester with Santoprene™ synthetic rubber outer jacket
- Steel reinforced for high strength and durability
- Non-marring and durable to withstand harsh environments
- Designed to fit pressure washers with standard M22 or QC fittings
- Polyurethane outer jacket is up to three times more abrasion resistant than rubber

Part #	Max PSI	ID	Length	Max Temp	Inlet/Outlet Fitting
43051	4000 PSI	1/4"	25'	140° F	M22
30086	4500 PSI	3/8"	25'	140° F	QC
41097	4500 PSI	3/8"	50'	140° F	QC
41098	4500 PSI	3/8"	1000'	140° F	QC

### MorFlex® Series



- Equipped with M22 fittings with patented dual o-ring design to fit both 14mm and 15mm fittings
- Polyester-braided for lightweight strength
- MorFlex™ technology for high flexibility and kink resistance
- Polyurethane outer jacket is up to six times more abrasion resistant than rubber
- Non-marring and durable to withstand harsh environments

Part #	Max PSI	ID	Length	Max Temp	Inlet/Outlet Fittings
43046	3200 PSI	1/4"	25'	140° F	M22
43002	3200 PSI	1/4"	30'	140° F	M22
43065	3200 PSI	1/4"	50'	140° F	M22
43047	3700 PSI	5/16"	25'	140° F	M22
43052	3700 PSI	5/16"	35'	140° F	M22

## Monster Series



- Dual-braided steel construction over polyester and jacketed with a translucent polyurethane
- Steel reinforced for high strength and durability
- Equipped with quick connect fittings for quick and easy setup (1 pc and 2 pc QC available)
- Polyurethane outer jacket is up to six times more abrasion resistant than rubber
- Designed to fit pressure washers with standard QC fittings
- Non-marring and durable to withstand harsh environments

Part #	Max PSI	ID	Length	Max Temp	Inlet/Outlet Fitting
43038	4500 PSI	3/8"	25'	140° F	3/8" QC
43013	4500 PSI	3/8"	50'	140° F	3/8" QC
40150	4500 PSI	3/8"	50'	140° F	3/8" QC
41030	4500 PSI	3/8"	100'	140° F	2 pc 3/8" QC
41032	4500 PSI	3/8"	150'	140° F	2 pc 3/8" QC
41034	4500 PSI	3/8"	200'	140° F	2 pc 3/8" QC

## Hot Water Pressure Washer Hose

### Armor Hose™ Series



- High temperature applications up to 250° F (not for steam use)
- Dual-braided steel and polyester construction with polyurethane jacket
- Equipped with quick connect fittings for quick and easy setup
- Designed to fit pressure washers with standard QC fittings
- Polyurethane outer jacket is up to six times more abrasion resistant than rubber
- Non-marring and UV resistant

Part #	Max PSI	ID	Length	Max Temp	Inlet /Outlet Fitting
41101	4500 PSI	3/8"	25'	250° F	2 pc 3/8" QC
41095	4500 PSI	3/8"	50'	250° F	2 pc 3/8" QC
41096	4500 PSI	3/8"	100'	250° F	2 pc 3/8" QC
41115	4500 PSI	3/8"	200'	250° F	2 pc 3/8" QC

## Wrapped Rubber Series



- High pressure hose for hot and cold water pressure washers
- Dual steel-braided construction and jacketed with gray wrapped rubber
- Steel braid reinforcement for high strength, durability and kink resistance
- Equipped with quick connect fittings for quick and easy setup
- 18" kink guards

### R1 Wrapped Rubber Hose

Part #	Max PSI	ID	Length	Max Temp	Inlet/Outlet Fitting
41101	4500 PSI	3/8"	25'	250° F	3/8" 2 pc QC
41178	4500 PSI	3/8"	50'	250° F	3/8" 2 pc QC



## Wrapped Rubber Series



### R2 Wrapped Rubber Hose (Stainless Steel Fittings)

Part #	Max PSI	ID	Length	Max Temp	Inlet /Outlet Fitting
41128	8000 PSI	3/8"	50'	250° F	3/8" 2 pc QC
41130	8000 PSI	3/8"	100'	250° F	3/8" 2 pc QC
41132	8000 PSI	3/8"	200'	250° F	3/8" 2 pc QC
41138	10,000 PSI	3/8"	50'	250° F	3/8" 2 pc QC
41140	10,000 PSI	3/8"	100'	250° F	3/8" 2 pc QC
41141	10,000 PSI	3/8"	200'	250° F	3/8" 2 pc QC
41160	10,000 PSI	1/2"	50'	250° F	3/8" 2 pc QC
41162	10,000 PSI	1/2"	100'	250° F	3/8" 2 pc QC
41164	10,000 PSI	1/2"	200'	250° F	3/8" 2 pc QC

## Specialty Hose

### Carpet Cleaning Series



- Non-marring bonded jacket with a seamless heat and chemical resistant inner tube
- Kink and abrasion resistant
- Standard Male NPT fittings and bend protectors
- Polyester construction with polyurethane jacket
- High temperature applications up to 250° F (not for steam use)
- Polyurethane outer jacket is up to four times more abrasion resistant than rubber

Part #	Max PSI	ID	Length	Max Temp	Inlet /Outlet Fitting
30140	3000 PSI	1/4"	25'	250° F	1/4" NPT
30141	3000 PSI	1/4"	50'	250° F	1/4" NPT
30142	3000 PSI	1/4"	100'	250° F	1/4" NPT
30143	3000 PSI	1/4"	150'	250° F	1/4" NPT
30144	3000 PSI	1/4"	200'	250° F	1/4" NPT
30110	3000 PSI	3/8"	25'	250° F	1/4" NPT
30111	3000 PSI	3/8"	50'	250° F	1/4" NPT
30113	3000 PSI	3/8"	100'	250° F	1/4" NPT
30114	3000 PSI	3/8"	150'	250° F	1/4" NPT
30115	3000 PSI	3/8"	200'	250° F	1/4" NPT

## JetXtreme™ Series



- Commercial/Industrial applications
- Easy handling for tight pipe bends
- High tensile double polyester fiber braids for reinforcement
- Polyurethane cover provides superior abrasion resistance and prevents residue build-up
- High tensile double fiber braids contribute to low volumetric expansion and eliminates loss of strength due to moisture
- Ideal for truck and trailer mounts
- Designed for high temperature applications up to 250° F (not for steam use)

Part #	Max PSI	ID	Length	Max Temp	Inlet/Outlet Fitting
30200	4000 PSI	1/2"	50'	250° F	1/2" Male NPT
30201	4000 PSI	1/2"	75'	250° F	1/2" Male NPT
30202	4000 PSI	1/2"	100'	250° F	1/2" Male NPT
30203	4000 PSI	1/2"	150'	250° F	1/2" Male NPT
30204	4000 PSI	1/2"	200'	250° F	1/2" Male NPT
30120	4000 PSI	3/8"	50'	250° F	3/8" Male NPT
30121	4000 PSI	3/8"	75'	250° F	3/8" Male NPT
30122	4000 PSI	3/8"	100'	250° F	3/8" Male NPT
30123	4000 PSI	3/8"	150'	250° F	3/8" Male NPT
30124	4000 PSI	3/8"	200'	250° F	3/8" Male NPT
30170	3000 PSI	1/4"	25'	250° F	3/8" Male NPT
30171	3000 PSI	1/4"	50'	250° F	3/8" Male NPT
30172	3000 PSI	1/4"	100'	250° F	3/8" Male NPT
30173	3000 PSI	1/4"	150'	250° F	3/8" Male NPT
30174	3000 PSI	1/4"	200'	250° F	3/8" Male NPT
30175	3000 PSI	1/4"	250'	250° F	3/8" Male NPT
30176	3000 PSI	1/4"	300'	250° F	3/8" Male NPT



## Ergonomic Spray Guns OF341 Front Load



7107956



7108115

- Ergonomic design and easy pull trigger for comfort and ease of use
- Equipped with a trigger safety lock-out
- Adjustable pressure regulator options available
- Front load with M22 fittings

Part #	Max PSI	Max GPM	Inlet/Outlet Fitting	Dial-N-Wash™	Max Temp
7107956	3400 PSI	6.6 GPM	M22	No	140° F
7108115	3400 PSI	6.6 GPM	M22	Yes	140° F

## OR451 Rear Load (M22 Fittings)



7109565 & 7108124



7108165



7108126



7108130

Part #	Max PSI	Max GPM	Inlet/Outlet Fitting	Side Assist Handle	Dial-N-Wash™	Max Temp
7109565	3600 PSI	6.6 GPM	M22	No	No	140° F
7108124	4500 PSI	6.6 GPM	M22	No	No	140° F
7108126	4500 PSI	6.6 GPM	M22	Yes	No	140° F
7108165	4500 PSI	6.6 GPM	M22	No	Yes	140° F
7108130	4500 PSI	6.6 GPM	M22	Yes	Yes	140° F

## OR451 Rear Load (QC Fittings)



7108125



7108166



7108127



7108168

Part #	Max PSI	Max GPM	Inlet/Outlet Fitting	Side Assist Handle	Dial-N-Wash™	Max Temp
7108125	4500 PSI	6.6 GPM	3/8" QC/M22	No	No	140° F
7108127	4500 PSI	6.6 GPM	3/8" QC/M22	Yes	No	140° F
7108131	4500 PSI	6.6 GPM	3/8" QC/M22	Yes	Yes	140° F
7108166	4500 PSI	6.6 GPM	3/8" QC/M22	No	Yes	140° F
7108168	4500 PSI	6.6 GPM	3/8" QC/M22	Yes	Yes	140° F

## OR501

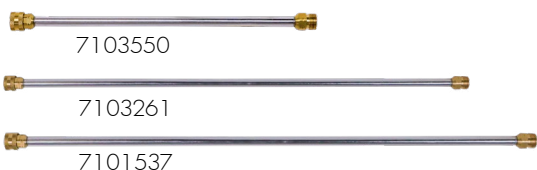


- Hot and cold water application capable
- Equipped with a trigger safety lock-out
- Ergonomic design and easy pull trigger for comfort and ease of use

Part #	Max PSI	Max GPM	Inlet Fittings	Outlet Fittings	Max Temp
7108134	5000 PSI	8 GPM	3/8" NPT	1/4" NPT	212° F

## High Pressure Spray Lances

### Spray Wand



- 1/4" Quick connect for easy attachment of spray tips and other accessories
- Cold water applications only
- Designed to fit most pressure washers with standard 1/4" QC fittings

Part #	Max PSI	Length	Inlet Fitting	Outlet Fitting	Max Temp
7103550	4500 PSI	16"	M22	1/4" QC	140° F
7103261	4500 PSI	31"	M22	1/4" QC	140° F
7101537	4500 PSI	48"	M22	1/4" QC	140° F

### Spray Lance with Vented Grip



- Designed to fit most pressure washers with standard 1/4" NPT fittings
- Insulated for hot water applications

Part #	Max PSI	Length	Inlet Fitting	Outlet Fitting	Max Temp
7100550	5000 PSI	36"	1/4" NPT	1/4" QC	212° F
7100551	5000 PSI	48"	1/4" NPT	1/4" NPT	212° F

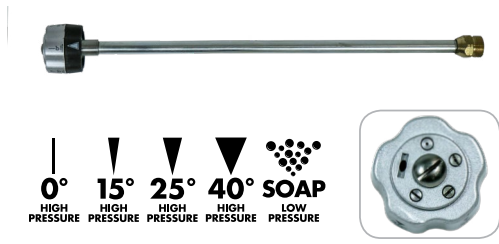
### Lance with Vario Head



- Allows you to control the spray pattern with a simple twist at the end of your lance
- Spray patterns range from a high pressure pinpoint to a low pressure fan
- Designed to fit standard M22 fittings

Part #	Max PSI	Length	Inlet Fitting	Max Temp
7105469	3000 PSI	17.5"	M22	140° F

## 5-N-1 Multi Tip Spray Lance



- Designed to fit most gas pressure washers with standard M22 gun fittings
- Combines five different spray patterns into one convenient twist-able nozzle head
- Spray patterns include 0°, 15°, 25°, 40° and soap

Part #	Max PSI	Length	Inlet Fitting	Max Temp
7108048	3400 PSI	32.5"	M22	140° F

## Surface Cleaners

15"



- Uniformly cleans large surfaces such as garage floors, driveways, patios and decks quickly
- High quality assembly includes powder coated steel shroud and stainless steel nozzles
- Two high-pressure, rotating jets for quick, streak free cleaning
- Fits standard 1/4" QC spray wand fittings

Part #	Max PSI	Max GPM	Diameter	Fittings	Max Temp
7108237	3700 PSI	8.0 GPM	15"	1/4" QC	140° F

## Commercial Surface Cleaners

20", 24" & 30"



- Uniformly cleans large surfaces such as sidewalks, parking lots and shop floors
- Heavy-duty ABS shroud
- Rotating jets for quick, streak free cleaning
- Equipped with one piece balanced spray bar and portable breakaway handle
- Lightweight ergonomic handle decreases operator fatigue
- Rigid bristles keep water contained

Part #	Max PSI	Max GPM	Diameter
80182	4500 PSI	8 GPM	20"
Coming in 2019	4500 PSI	8 GPM	24"
Coming in 2019	3600 PSI	8 GPM	30"

# Hose Reels

## Mountable Hose Reel



- Holds up to 100' or 200' of 3/8" high pressure hose
- Heavy duty powder coated steel
- Over-sized heavy duty locking mechanism prevents slippage during reel operation
- Also available in stainless steel (contact your sales rep for more details)

Part #	Description	Max PSI	Max Temp	Capacity
80399	100' x 3/8" Steel Hose Reel	6000 PSI	212° F	100
80403	200' x 3/8" Steel Hose Reel	6000 PSI	212° F	200'

## Portable Hose Reel



- Black, powder coated low carbon steel frame
- Portable design for easy transport
- Non-marring anti-vibration feet
- Also available in stainless steel (contact your sales rep for more details)

Part #	Description	Max PSI	Max Temp	Capacity
80401	Hose Reel and Handle Kit	6000 PSI	212° F	100' x 3/8"

# Additional Cleaning Accessories

## Dial-N-Wash™



- Adjust pressure for a cleaning application's specific needs
- Standard to most gas pressure washers up to 4500 PSI
- Use with any standard spray wand and standard gun with M22 fittings
- Adjust pressure from min PSI to max PSI with a simple twist

Part #	Max PSI	Max Temp	Inlet/Outlet Fittings
82235	4500 PSI	140° F	M22

## Acid Injector: Body



- Prevents chemicals from entering the pump allowing for a wider choice of chemicals
- Adjustable flow allows you to increase or decrease the amount of chemical as needed
- Heavy-duty stainless prevents corrosion
- Standard to fit most gas pressures washers

Part #	Acid Levels	Temp Application	Outlet Fitting
7100035	PH1-PH14	Cold & Hot Water	1/4" QC

## Acid Injector: Complete Assembly



- Complete assembly includes siphon tube, filter and nozzles
- The injector contains a check valve to prevent water from flowing into the chemical container while in high pressure mode

Part #	Acid Levels	Temp Application	Outlet Fitting
7100028	PH1-PH14	Cold & Hot Water	1/4" QC

## Sand Blaster Kit



- This tool easily removes tough stains, rust, multiple layers of paint and graffiti
- Wet sandblasting is more efficient than dry sandblasting and does not create dust.
- Not suitable for delicate surfaces

Part #	Max PSI	Max GPM	Inlet Size/ Hose Diameter	Nozzle Type	Hose Length
80168	5000 PSI	8.0 GPM	1"	Multi-Pattern	25'



QC COUPLERS			
	Part #	Male	Female
	7100020	3/8" QC	3/8" NPT
	Part #	Male	Female
	7101772	1/4" QC	M22
	Part #	Male	Female
	7102246	3/8" QC	M22
	Part #	Female	Female
	7100019	3/8" QC	3/8" QC
	Part #	Female	Female
	7100021	1/4" QC	3/8" QC
	Part #	Female	Female
	7100068	3/8" QC	M22
Adapters			
 14/15mm	Part #	Male	Male
	104049	M22	M22
 14mm	Part #	Male	Female
	7100821	M22	3/8" NPT
	Part #	Male	Male
	7101083	M22	3/8" NPT
 Swivel	Part #	Male	Female
	7100048	3/8" NPT	3/8" FPT



Adapter (cont'd)			
 Nipple	Part #	Male	Male
	7100621	3/8" NPT	3/8" NPT
 4000 PSI Brass	Part #	Male	Female
	7105057	M22	3/8" QC
Garden Hose			
	Part #	Garden Hose Fitting	Adapter Fitting
	100112	3/8" Female GHT	3/8" Male QC
	Part #	Garden Hose Fitting	Adapter Fitting
	100114	3/4" Female GHT	3/4" Female QC
	Part #	Garden Hose Fitting	Adapter Fitting
	100113	3/4" Male GHT	3/8" Male QC
	Part #	Garden Hose Fitting	Adapter Fitting
	7100051	3/4" Female GHT	1/2" Male NPT
	Part #	Garden Hose Fitting	Adapter Fitting
	7100355	3/4" Female GHT	3/4" Male GHT

## O-Rings & Filters

### Universal Fit

- Contains 2 pump inlet screen filters
- Standard to fit many gas pressure washer components
- Replaces worn or damaged o-rings and filters
- Contains a variety of o-rings for pressure washer guns, hoses, wands, accessories\ and pumps



PART# 80163		
QTY/Kit	O-Ring Size	
2	15.6mm OD / 10mm ID / 2.8mm CS	
2	14mm OD / 9.8mm ID / 2.1mm CS	
2	14mm OD / 8.6mm ID / 2.7mm CS	
2	18mm OD / 12.7mm ID / 2.65mm CS	
2	15mm OD / 9mm ID / 3mm CS	
2 FILTERS	25 mm OD / 15 mm ID / 10 mm CS	

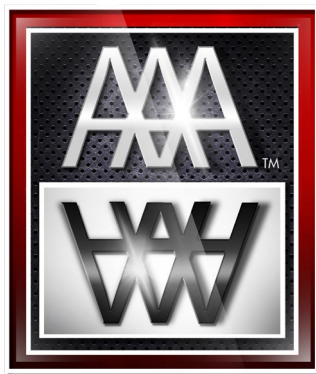
## SIMPSON® Engines



- Low oil shutdown
- Dual fuel filters
- Forged and ball bearing supported crankshaft
- Overhead valve
- Cast iron cylinder liner
- Electronic ignition system
- Dual element air filter
- EPA compliant, CARB compliant available

**POWERED by**  
**SIMPSON®**

Part #	Description
100511	208cc 50-State Black Shroud
100562	420cc 50-State Black Shroud
100753	225cc 50-State Black Shroud
100800	270cc 50-State Black Shroud
100767	680cc 50-State Black Shroud Cold Water ( Variable Speed, 3A Charging )
100732	680cc 50-State Black Shroud Hot Water ( Fixed Speed, 20A Charging )
100798	750cc 50-State Black Shroud (Variable Speed, 3A Charging )
100799	750cc 50-State Black Shroud (Fixed Speed, 20A Charging )
100774	999cc 50-State Black Shroud Cold Water ( Variable Speed, 3A Charging )
100760	999cc 50-State Black Shroud Hot Water ( Fixed Speed, 20A Charging )



Manufactured by **FNA Group, Inc.**  
7152 99th St, Pleasant Prairie, WI 53158  
(847) 348-1500