



MISSING A PART?

There is no need to return this item to the store.
Instead call our TOLL FREE HOTLINE:

1-800-253-1561

We appreciate your purchase of the HyLoft® 45"x 15" Heavy-Duty Wall Shelves. Knap & Vogt has made every effort to supply a quality product that insures a lifetime of trouble-free service. In the event that you have any type of problems, and BEFORE RETURNING THE UNIT TO THE SELLER, please call our toll free number 1-800-253-1561.

HyLoft 45" x 15" Heavy-Duty Wall Shelves Limited Warranty

Knap & Vogt warrants this product against defects in the material or workmanship for the life of the product. Knap & Vogt agrees to either repair the product or replace it at the sole discretion of Knap & Vogt. This warranty does not include any costs associated with the physical installation, removal, or return of the HyLoft 45" x 15" Heavy-Duty Wall Shelves.

This warranty is valid and enforceable provided that the maximum weight supported by each HyLoft 45" x 15" Heavy-Duty Wall Shelves do not exceed 200 pounds per shelf, evenly distributed. The customer, dealer, and/or installer releases Knap & Vogt of all claims, which includes the HyLoft unit and the structure it is attached to if the loaded weight exceeds 200 pounds per shelf. The unit must also be installed according to the manufacturer's instructions. At no time should you install more than three HyLoft shelves on any two wall studs. All fasteners must be checked and tightened at least annually.

Only the original purchaser of this product is extended this warranty. No warranty work will be provided under this warranty without purchaser's original receipt or other proof of the date of the original purchase acceptable to Knap & Vogt.

This Knap & Vogt limited warranty covers product failure due to defects in materials or workmanship ONLY! It does not cover corrosion, rust or discoloration of it's components, or product failure due to misuse, abuse, faulty installation, alteration, lack of reasonable care, or any other failure not related to the defects in materials or workmanship.

There are NO other warranties expressed or implied except those stated herein as required by applicable law.

KNAP & VOGT SHALL NOT BE LIABLE FOR INCIDENTAL, SPECIAL, OR CONSEQUENTIAL DAMAGES RESULTING FROM THE USE OF THE PRODUCT OR ARISING OUT OF ANY BREACH OF THIS WARRANTY.

ALL IMPLIED WARRANTIES, IF ANY, INCLUDING IMPLIED WARRANTIES OR MERCHANTABILITY AND FITNESS FOR A PARTICULAR PURPOSE, ARE LIMITED TO THE DURATION OF THIS WARRANTY.

Some states do not allow the exclusion or limitation of incidental or consequential damages, or limitations on how long an implied warranty lasts, so the above exclusions or limitations may not apply to you. No other warranty, written or verbal, will be honored for this product. This warranty gives you the specific legal rights and you may also have other rights that vary from state to state.

Knap & Vogt is not responsible for damages of merchandise in transit. Repaired or replaced products shall be subject to the terms of this warranty, to be inspected by Knap & Vogt prior to return shipment. Damages incurred during transit should be reported at once to the carrier and a claim should be filed with them.

Knap & Vogt®
Grand Rapids, MI 49505 U.S.A.

**For more information, accessories, and frequently asked questions, visit the HyLoft website:
www.HyLoft.com**



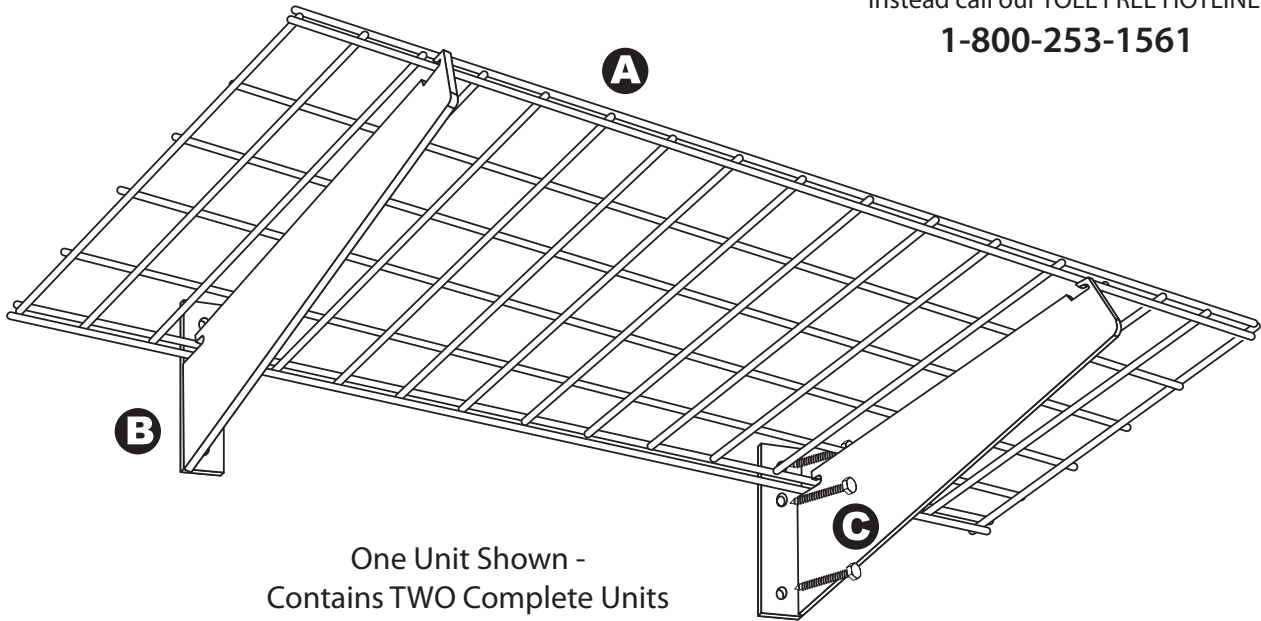
ASSEMBLY INSTRUCTIONS

45" x 15" Heavy-Duty Wall Shelves

MISSING A PART?

There is no need to return this item to the store.
Instead call our TOLL FREE HOTLINE:

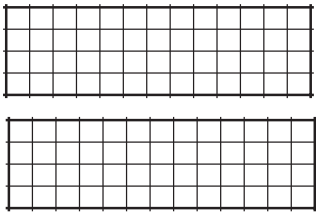
1-800-253-1561



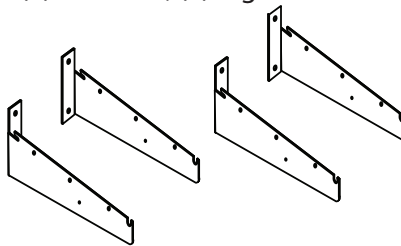
Parts Included

IMPORTANT: Read through entire instructions before beginning any installation.

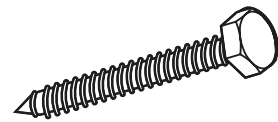
A (2) Wire Grids 45" x 15"



B (4) Shelf Brackets
(2) Left Side; (2) Right Side

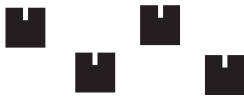


C (12) Lag Screws 5/16" x 2-1/2"



Use 1/2"
Wrench

D (4) Rubber Stoppers



E HyLoft Sticker



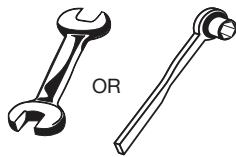
Tools Required:



3/16"
Drill Bit



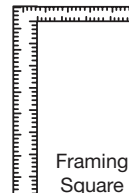
Power
Drill



(2) 7/16" Wrenches
& (1) 1/2" Wrench,
Socket Wrench or Nut
Driver



Stud/Joist
Finder
(optional)



Framing
Square
(optional)



Pencil



Eye Protection



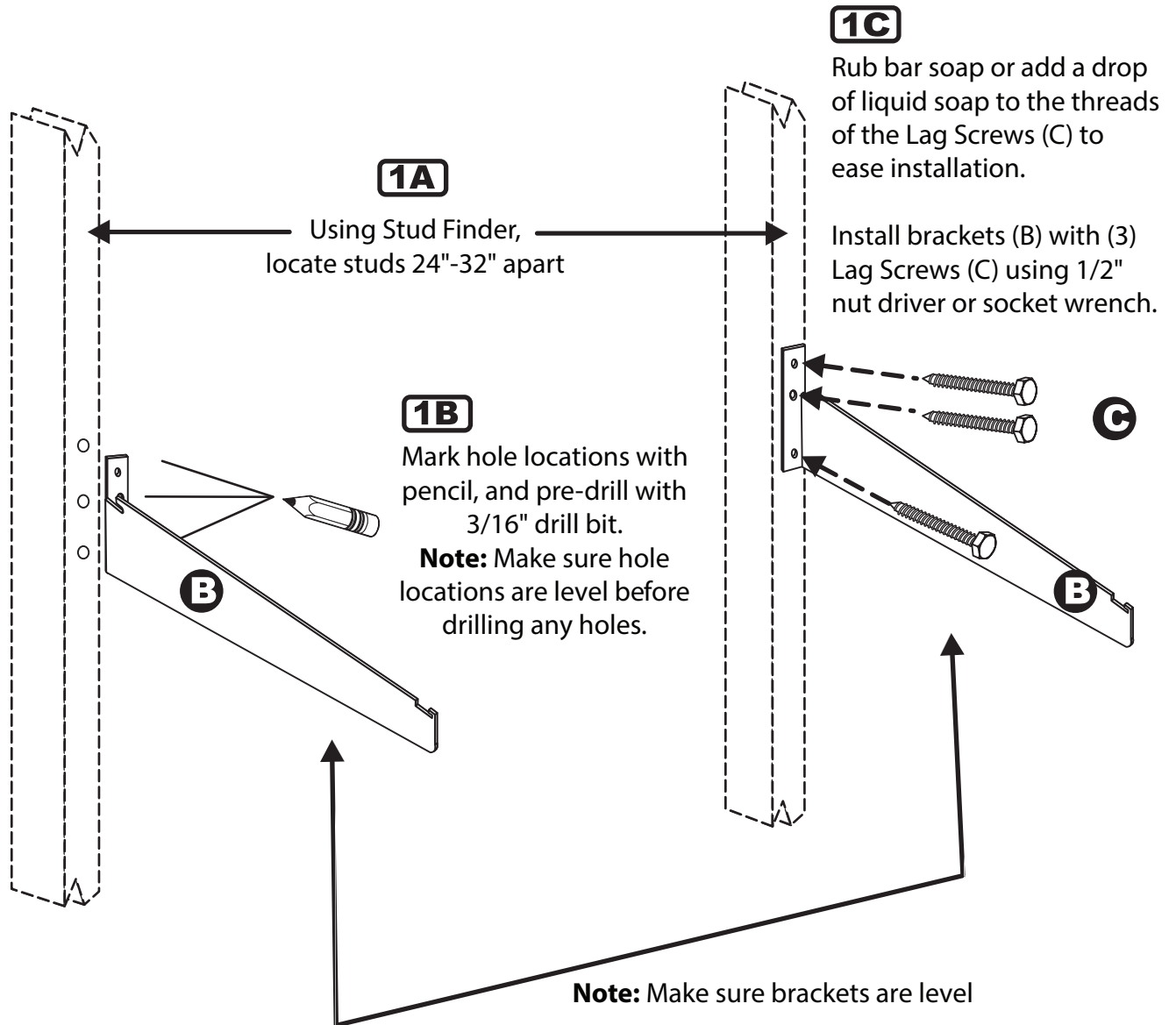
Tape Measure



Ladder or
Step Stool

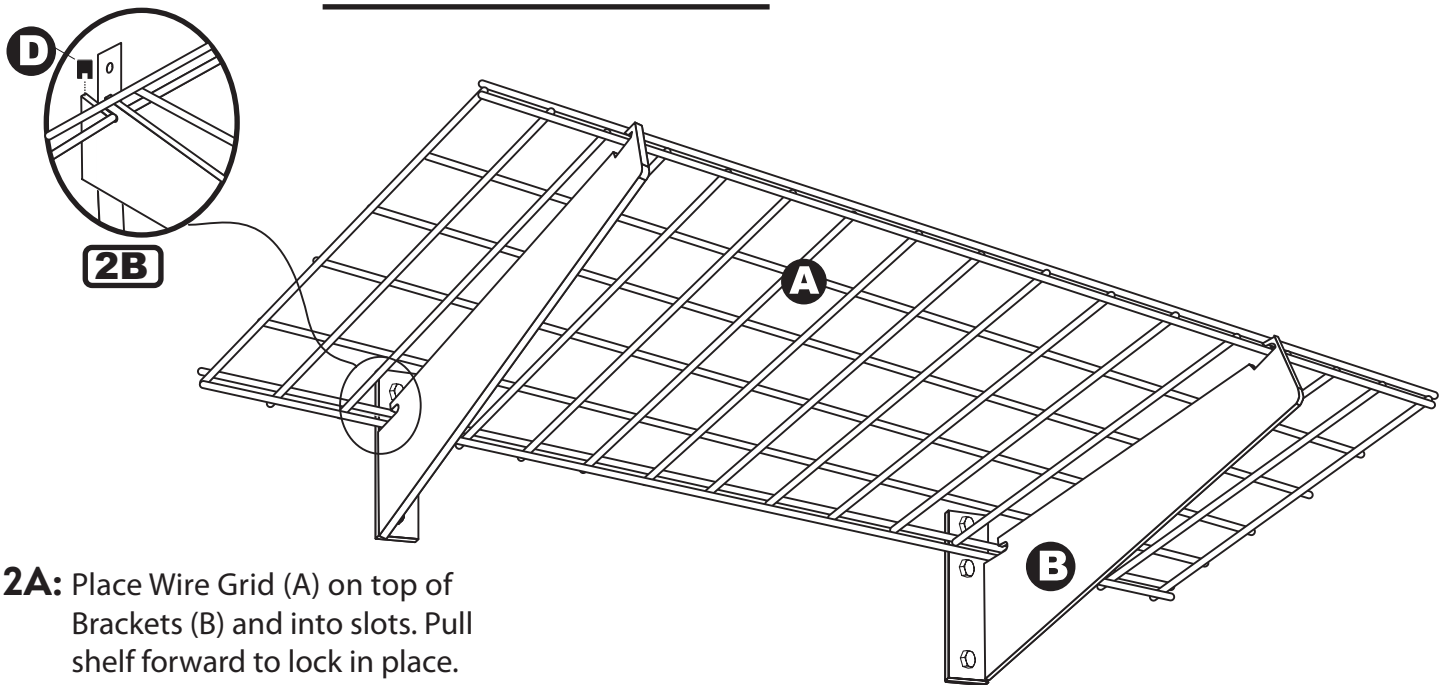
Installation time: Approximately 30 minutes or less.
Important: Read through entire instructions before beginning any installations.

1. Install Shelf Brackets into Wall Studs



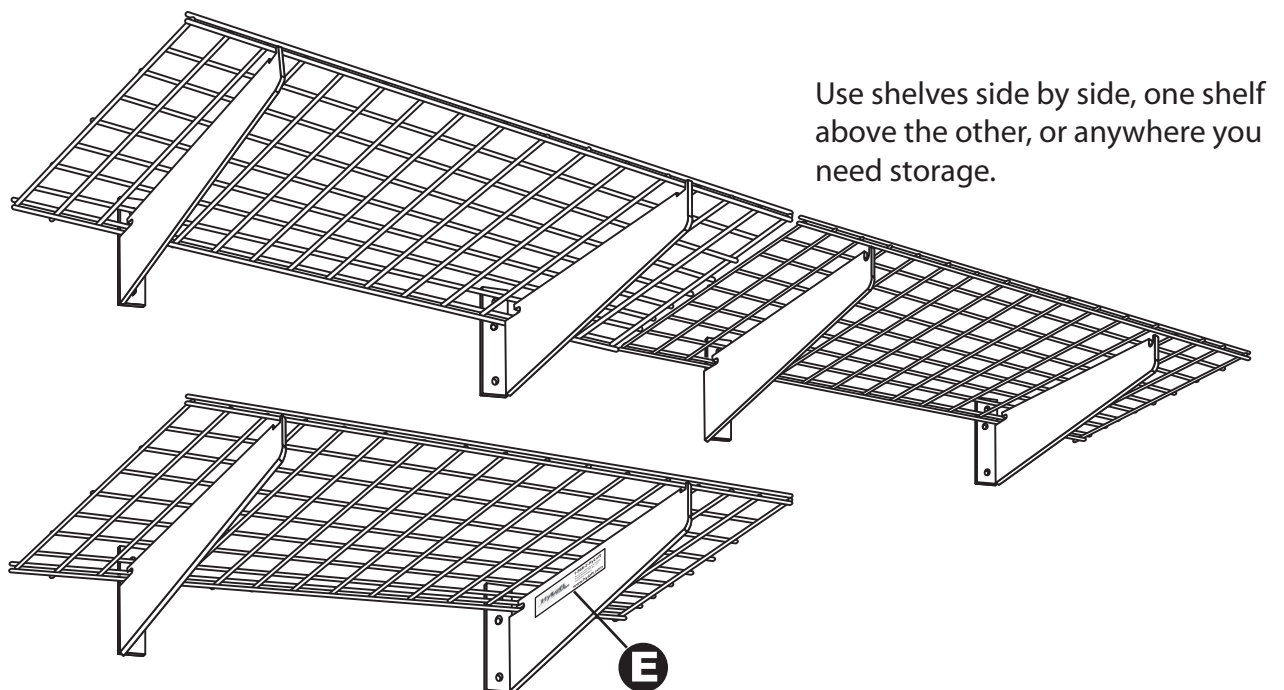
2. Place and Attach Wire Grids

IMPORTANT: Long wires on top.



2A: Place Wire Grid (A) on top of Brackets (B) and into slots. Pull shelf forward to lock in place.

2B: Place slot in Rubber Stoppers (D) on brackets behind the shelf to lock the shelf in place.



Use shelves side by side, one shelf above the other, or anywhere you need storage.

You have now completed the installation and ready to load your new HyLoft Shelf.

(Maximum 200 lbs. per 15" x 45" shelf, evenly distributed)

Place the HyLoft Sticker (E) provided on a bracket for easy reference information.

Verify all connections at least once per year in order to ensure that they are fastened securely.