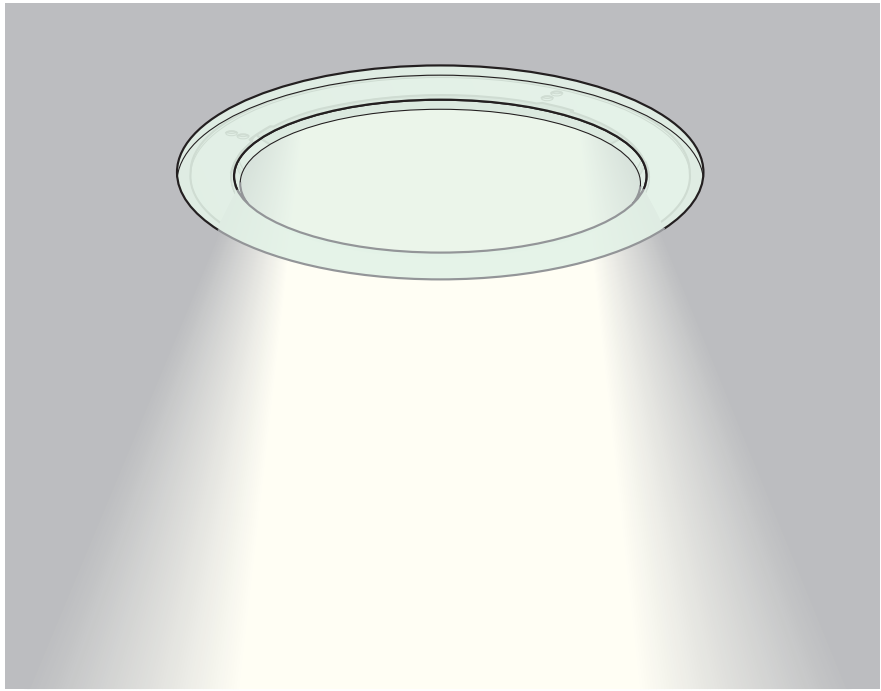
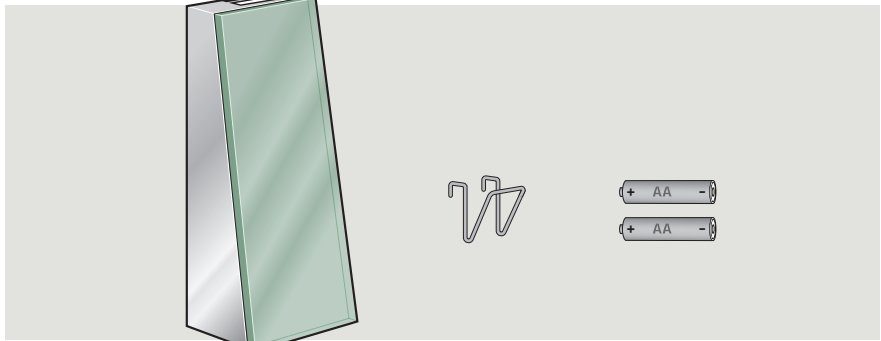




# ZTZ 213



INSTALLATION INSTRUCTIONS FOR ZTZ 213 ©2018 VELUX GROUP ©VELUX AND THE VELUX LOGO ARE REGISTERED TRADEMARKS USED UNDER LICENSE BY THE VELUX GROUP  
INSTRUCTIONS D'INSTALLATION POUR ZTZ 213 ©2018 VELUX GROUP ©VELUX ET LE LOGO VELUX SONT DES MARQUES DE COMMERCE DÉPOSÉES ET EMPLOYÉES SOUS LICENCE DE VELUX GROUP

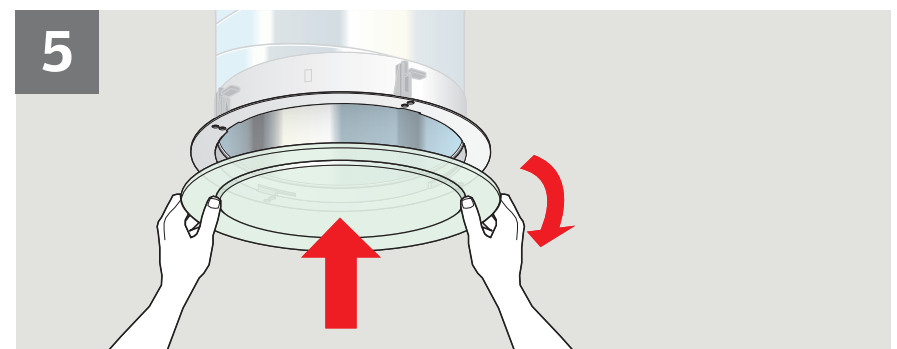
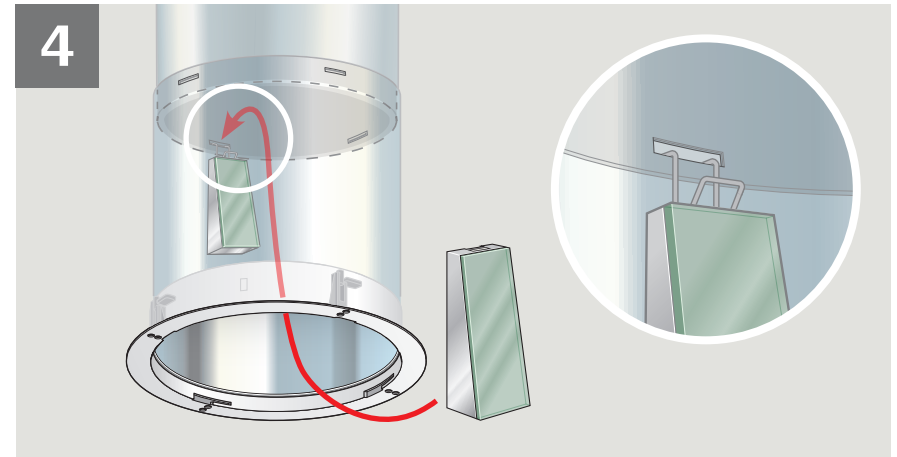
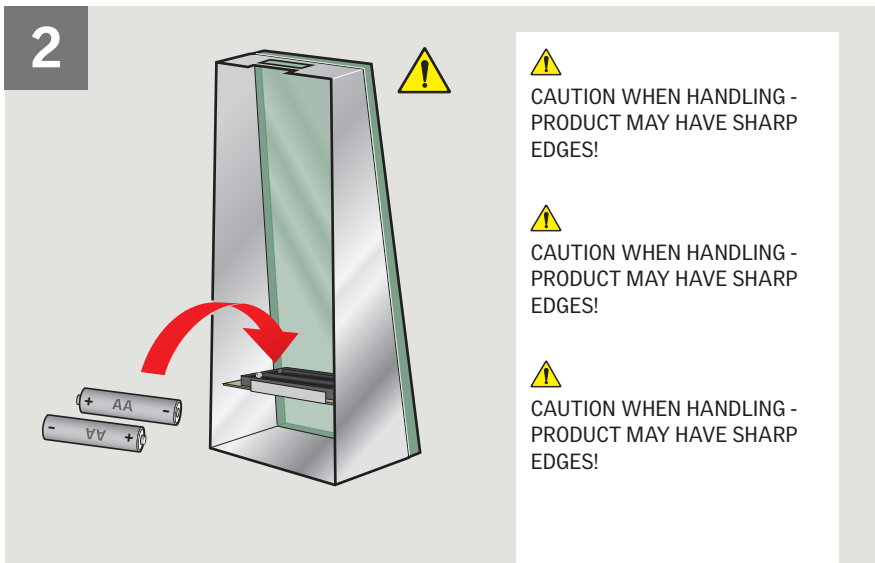
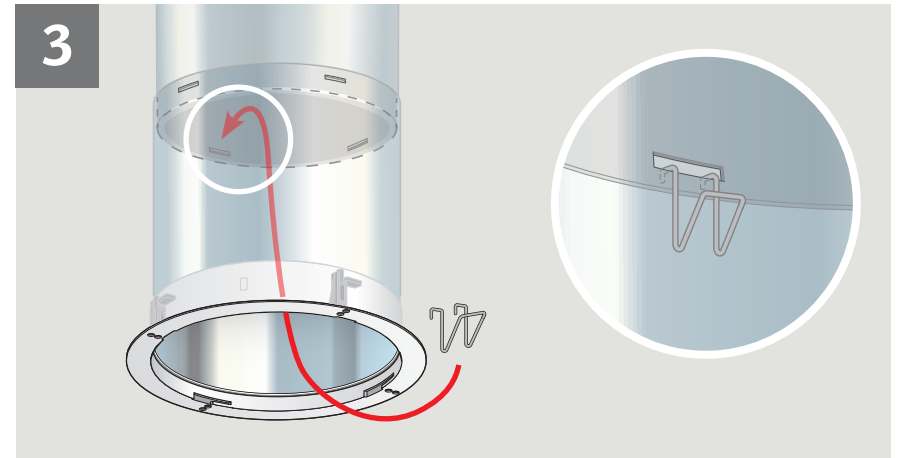
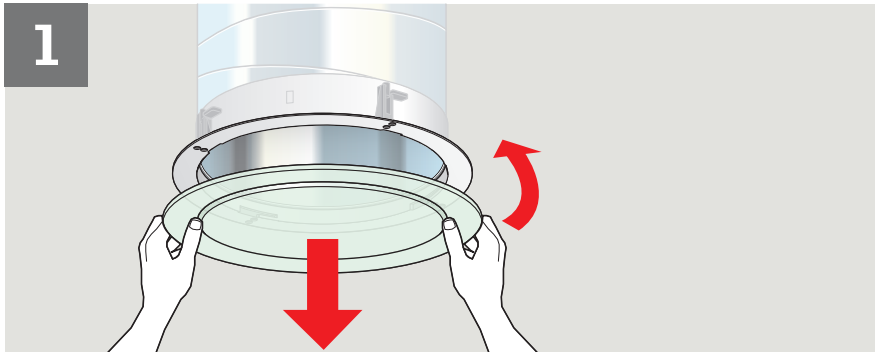
**US:** VELUX America LLC  
1-800-88-VELUX

**CA:** VELUX Canada Inc.  
1 800 88-VELUX (888-3589)

[www.velux.com](http://www.velux.com)



VAS 454348-2018-02



**NOTICE:** USE ONLY RECHARGEABLE BATTERIES (NIMH AA 1.2V).  
RECYCLE AND DISPOSE BATTERIES IN ACCORDANCE WITH LOCAL AND NATIONAL REGULATION.

**NOTICE:** USE ONLY RECHARGEABLE BATTERIES (NIMH AA 1.2V).  
RECYCLE AND DISPOSE BATTERIES IN ACCORDANCE WITH LOCAL AND NATIONAL REGULATION.

**NOTICE:** USE ONLY RECHARGEABLE BATTERIES (NIMH AA 1.2V).  
RECYCLE AND DISPOSE BATTERIES IN ACCORDANCE WITH LOCAL AND NATIONAL REGULATION.