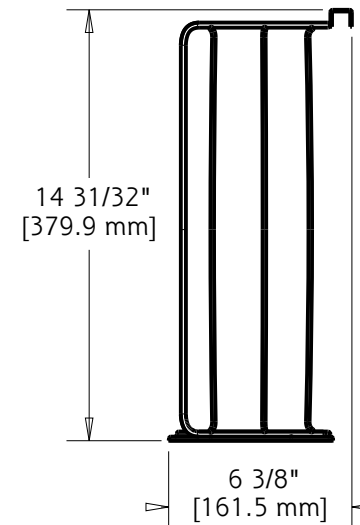
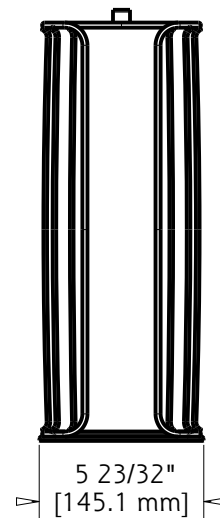
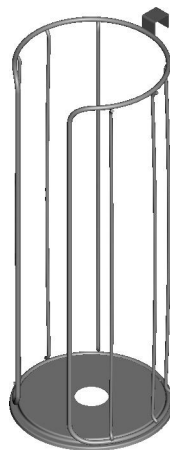


TECHNICAL DATA

Bath Storage

OVER TANK ROLL TPH



MATERIALS: Base - Steel
Frame - Steel
Hook - Steel

INSTALLATION: Open the lid of tank. Hang the Over tank roll TPH assembly to tank. Close the lid of tank

SPECIFICATION: Surface mounted Over tank roll TPH assembly shall be model _____
(fill in model number) by Liberty Hardware Manufacturing Corporation.

