

Item # 1004 815 945

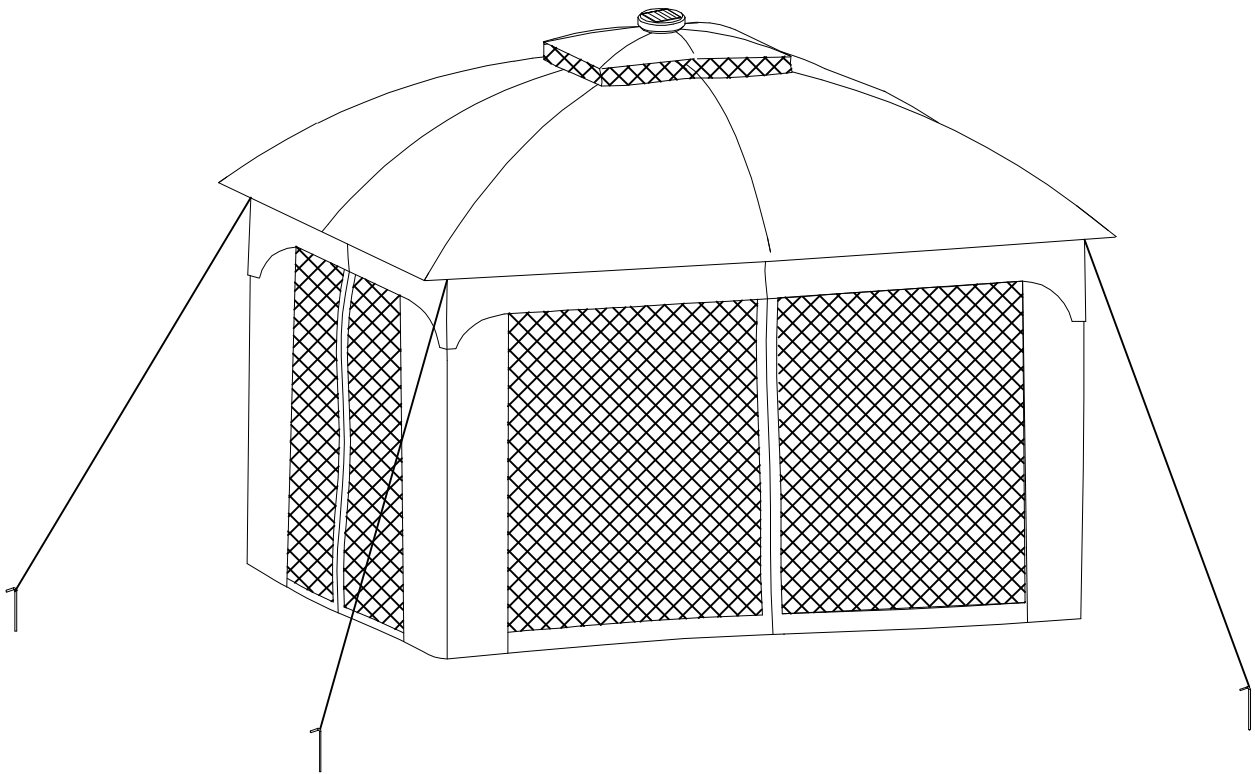
Model #FSC18015-1

# HAMPTON BAY<sup>®</sup>

## USE AND CARE GUIDE

---

### 10 FT. X 12 FT. SOLAR LED LIGHTED GAZEBO



Questions, problems, missing parts? Before returning to the store,  
call Hampton Bay Customer Service  
8 a.m. - 7 p.m., EST, Monday – Friday, 9 a.m. – 6 p.m., EST, Saturday

**1-855-HD-HAMPTON**

**HAMPTONBAY.COM**

---

#### **THANK YOU**

*We appreciate the trust and confidence you have placed in Hampton Bay through the purchase of this gazebo. We strive to continually create quality products designed to enhance your home. Visit us online to see our full line of products available for your home improvement needs.*

*Thank you for choosing Hampton Bay!*

# Table of Contents

Table of Contents	2
Safety Information	2
Warranty	2
Maintenance	3
Pre-Assembly	4
Planning Assembly	4
Hardware Included	4

Package Contents	5
Assembly	7
Care and Cleaning	16

## Safety Information

Please read and understand all instructions before you begin this assembly.

- This assembly requires at least four people.
- Some parts may contain sharp edges. Wear protective gloves.
- When assembling and using this product, basic safety precautions should always be followed to reduce the risk of personal injury and damage to equipment.
- Remove the canopy from gazebo when there is high wind, snow, storm, or any inclement weather to avoid any damage.
- Put the gazebo on the level ground, and use ground stakes and rope to better fasten it.
- A failure to assemble this gazebo correctly could cause damage or result in serious injury.



**WARNING: READ ALL INSTRUCTIONS BEFORE USE.** Close supervision is necessary when this furnishing is used by or near children, or disabled persons, if applicable. Use this furnishing only for its intended use as described in these instructions. Do not use attachments not recommended by the manufacturer.



**WARNING:** Do not leave the gazebo where there is a risk of high wind, as possible damage will occur to the structure.



**WARNING:** This unit is heavy! Do not assemble this item alone.



**WARNING: KEEP ALL FLAME AND HEAT SOURCES AWAY FROM THIS GAZEBO FABRIC.** This gazebo meets the flammability requirements of CPAI-84. The fabric may burn if left in continuous contact with any flame source. The application of any foreign substance to the gazebo fabric may render the flame-resistant properties ineffective.



**CAUTION:** Do not climb on top of the gazebo. Falling off the gazebo can result in serious injury, possibly even death.

## Warranty

### WHAT IS COVERED

This limited warranty is extended to the original purchaser and applies to defects in materials and workmanship of your item provided the item is maintained with care and used only for personal, residential purposes. The item is warranted to be free from defects in material or workmanship for a period of 2 years.

### WHAT IS NOT COVERED

We do not reimburse for transportation of delivery costs, or compensate the individual or any outside party for assembling or disassembling the product. The warranty does not cover normal wear and tear, abuse or misuse of this product including damage from inclement weather such as wind, rain, or hail. In case of inclement weather, remove all valuables and persons and seek appropriate shelter.

Contact the Customer Service Team at 1-855-HD-HAMPTON or visit [www.HAMPTONBAY.com](http://www.HAMPTONBAY.com).

# Maintenance

## REPLACING THE BATTERY



**NOTE:** Use one Li-ion 18650 Lithium battery, 2000mAh, 3.7V rechargeable battery pack. For best performance, replace with a Lithium rechargeable battery pack after 470 uses; normally every year, based on individual usage.



**NOTE:** To reduce the risk of damage to the electrical connections, exercise caution when separating the battery compartment base and cover.

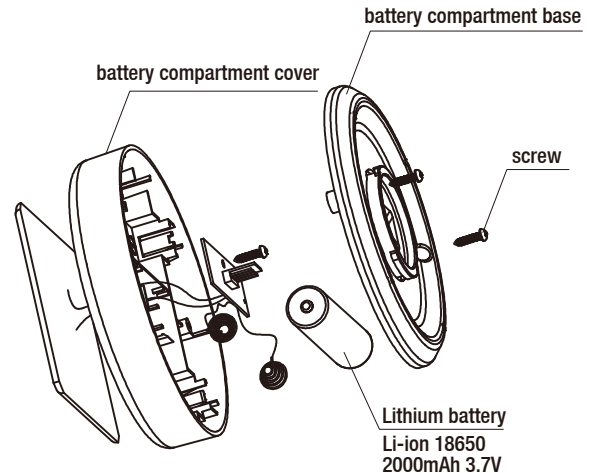


**IMPORTANT:** Dispose of the battery in accordance with local, state and federal regulations.



**IMPORTANT:** When storing this gazebo, remove the plate from the top, and store it on a cool and high place, to increase service life.

- Loosen the two lock screws on the base and remove the cover from the base.
- Remove the old battery pack from the compartment and replace with a new 18650 Lithium battery, 2000mAh, 3.7V rechargeable battery pack.
- Lock the base and cover with two screws.
- During first use, the light might not work. Please leave the gazebo under the sun to charge the solar plate.
- Leave the gazebo in a sunny place to extend lighting duration.

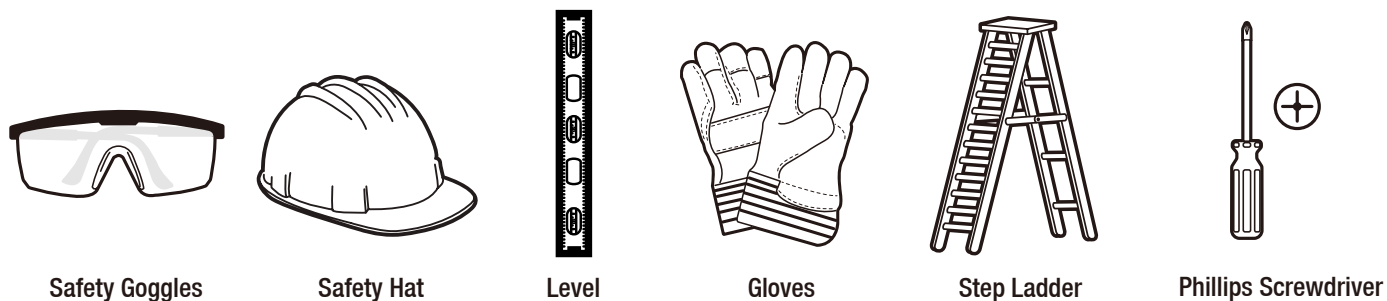


# Pre-Assembly

## PLANNING ASSEMBLY

Before beginning assembly of this product, make sure all parts are present. Compare parts with the Hardware Included and Package Contents lists. If any part is missing or damaged, do not attempt to assemble the product. Contact customer service for replacement parts.

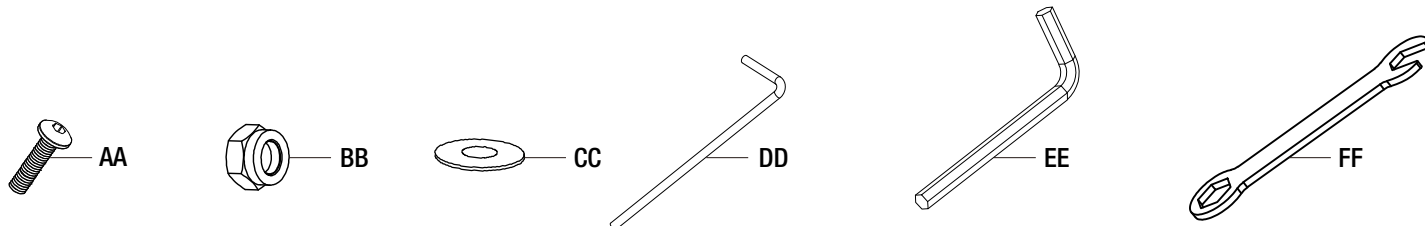
## TOOLS REQUIRED (NOT INCLUDED)



## HARDWARE INCLUDED



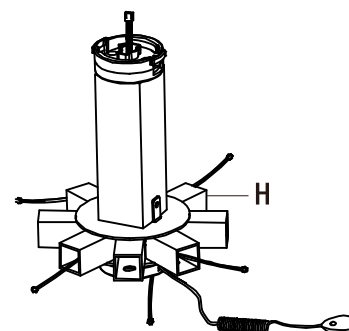
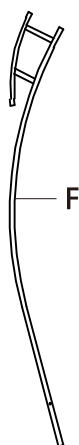
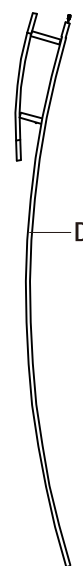
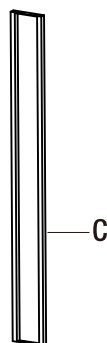
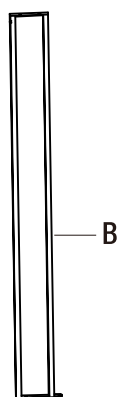
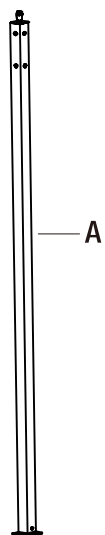
**NOTE:** Hardware not shown to actual size.



Part	Description	Quantity
AA	M6x15 bolt	32
BB	Nut	8
CC	Washer	24
DD	Ground stake	12
EE	Hex wrench	1
FF	Wrench	1

# Pre-Assembly (continued)

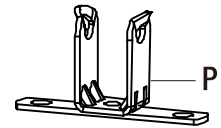
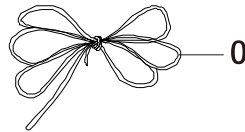
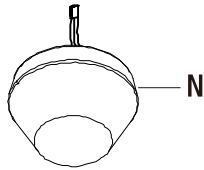
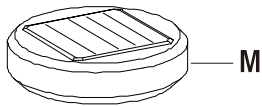
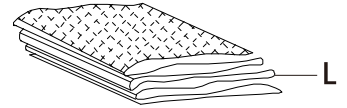
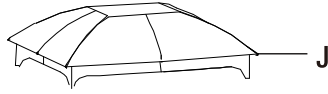
## PACKAGE CONTENTS



Part	Description	Quantity	Part	Description	Quantity
A	Post	4	F	Short top bar	2
B	Long support bar	4	G	Middle top bar	2
C	Short support bar	4	H	Top center connector	1
D	Long top bar	4			
E	Corner bar	4			

# Pre-Assembly (continued)

## PACKAGE CONTENTS

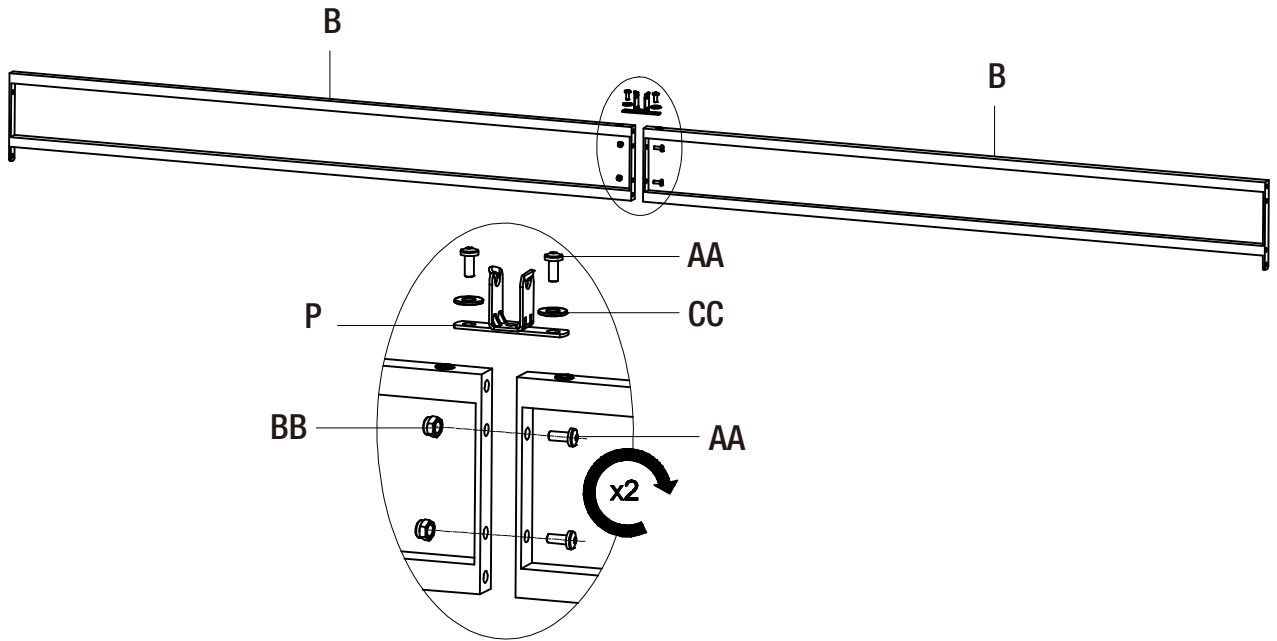


Part	Description	Quantity	Part	Description	Quantity
I	Small canopy	1	N	Light	1
J	Large canopy	1	O	Rope	4
K	Sidewall	4	P	Fixed component	4
L	Net sidewall	4			
M	Solar plate	1			

# Assembly

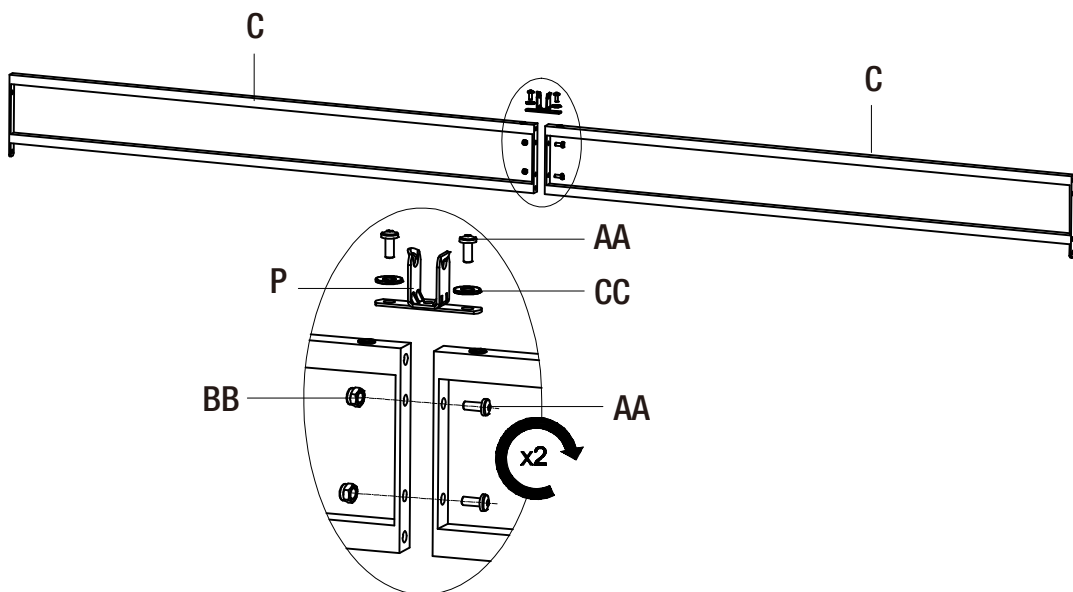
## 1 Assembling the long support bars

- Connect the two long support bars (B) using M6x15 bolts (AA), nuts (BB), washers (CC) and fixed components (P).



## 2 Assembling the short support bars

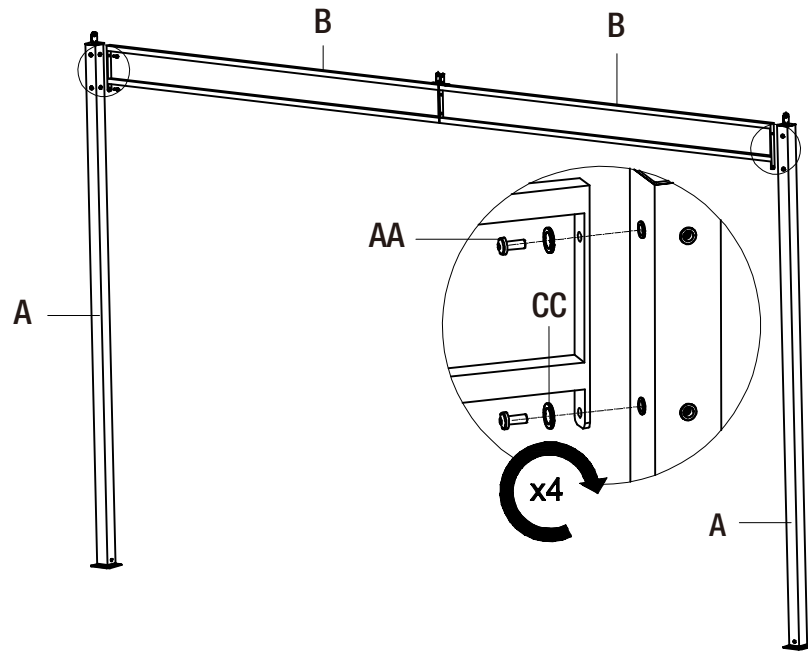
- Connect the two short support bars (C) using M6x15 bolts (AA), nuts (BB), washers (CC) and fixed components (P).



## Assembly (continued)

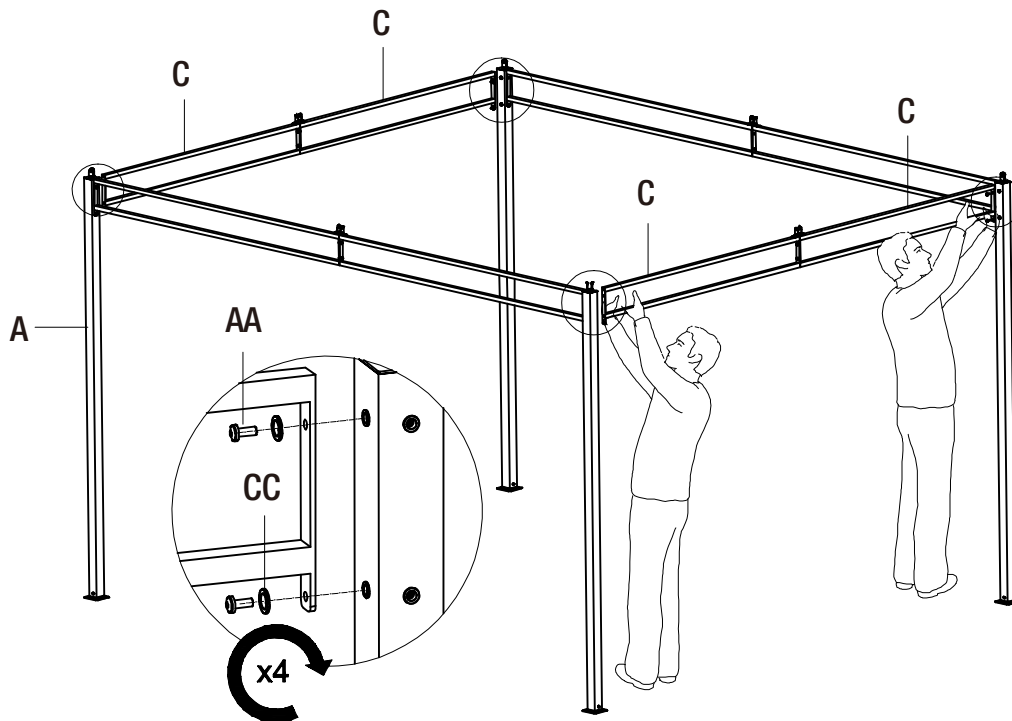
### 3 Attaching the long support bars to the posts

- Connect the long support bars (B) to the posts (A) using M6x15 bolts (AA) and washers (CC) at each corner.



### 4 Attaching the short support bars to the posts

- Connect the long support bars (C) to the posts (A) using M6x15 bolts (AA) and washers (CC) at each corner.

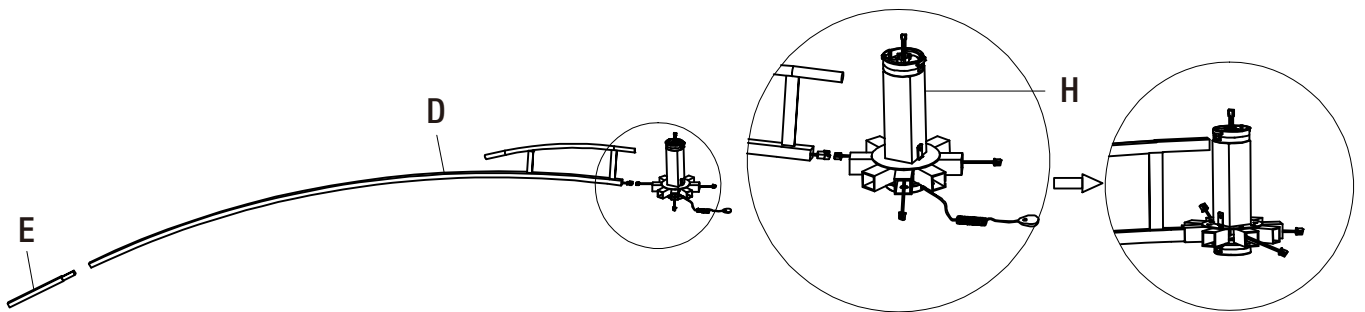




## Assembly (continued)

### 5 Assembling the top connector bar

- Insert the wire connector on the long top bar (D) into the connector on the top center connector (H).
- Insert the long top bar (D) into the top center connector (H) until the marble pops up.
- Slide a short corner bar (E) onto the end of the long top bar (D) until the short corner bar (E) clicks into place.



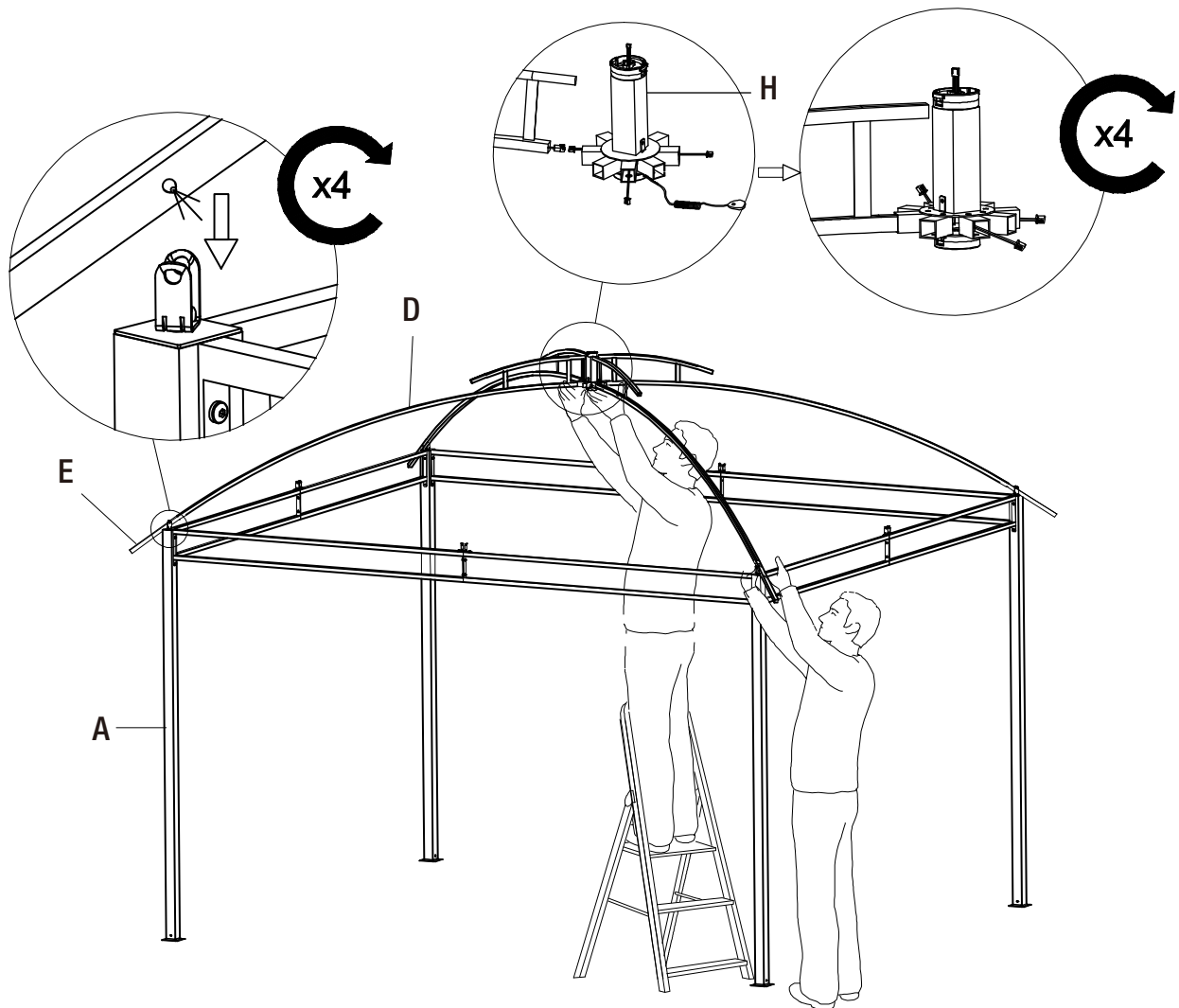
## Assembly (continued)

### 6 Attaching the top corner bars to the posts

- Link the corner bar (E) with the top center connector (H) onto the post (A).
- Insert the other long top bars (D) with the short corner bars (E) into the top center connector (H) as Step 5.
- Link the corner bars (E) onto the posts (A).



**NOTE:** Suggested to stand on a ladder when assembling, as shown below.



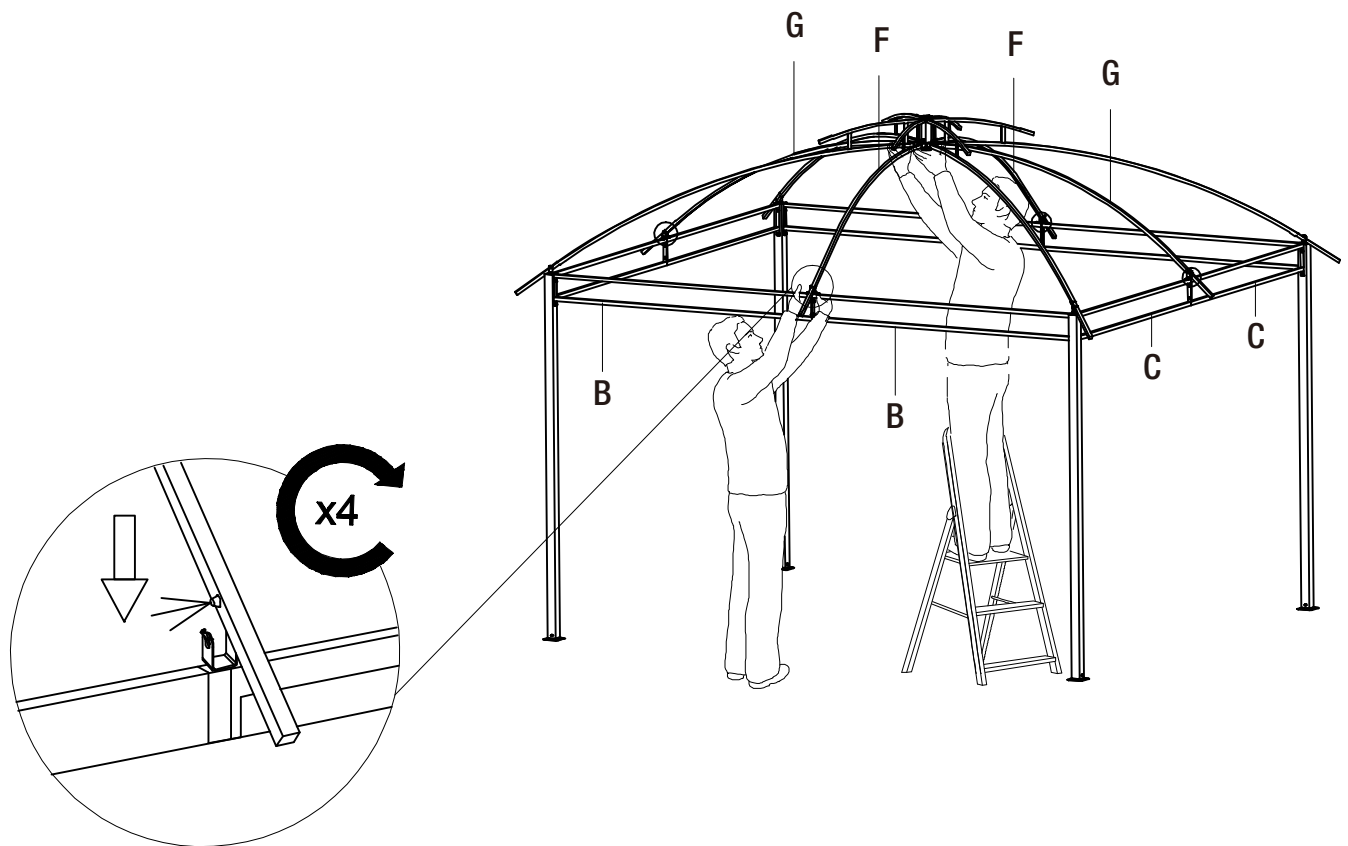
## Assembly (continued)

### 7 Attaching the top bars to the support bars

- Link the short top bars (F) onto the fixed support bars (B).
- Link the middle top bars (G) onto the fixed support bars (C).



**NOTE:** Suggested to stand on a ladder when assembling, as shown below.



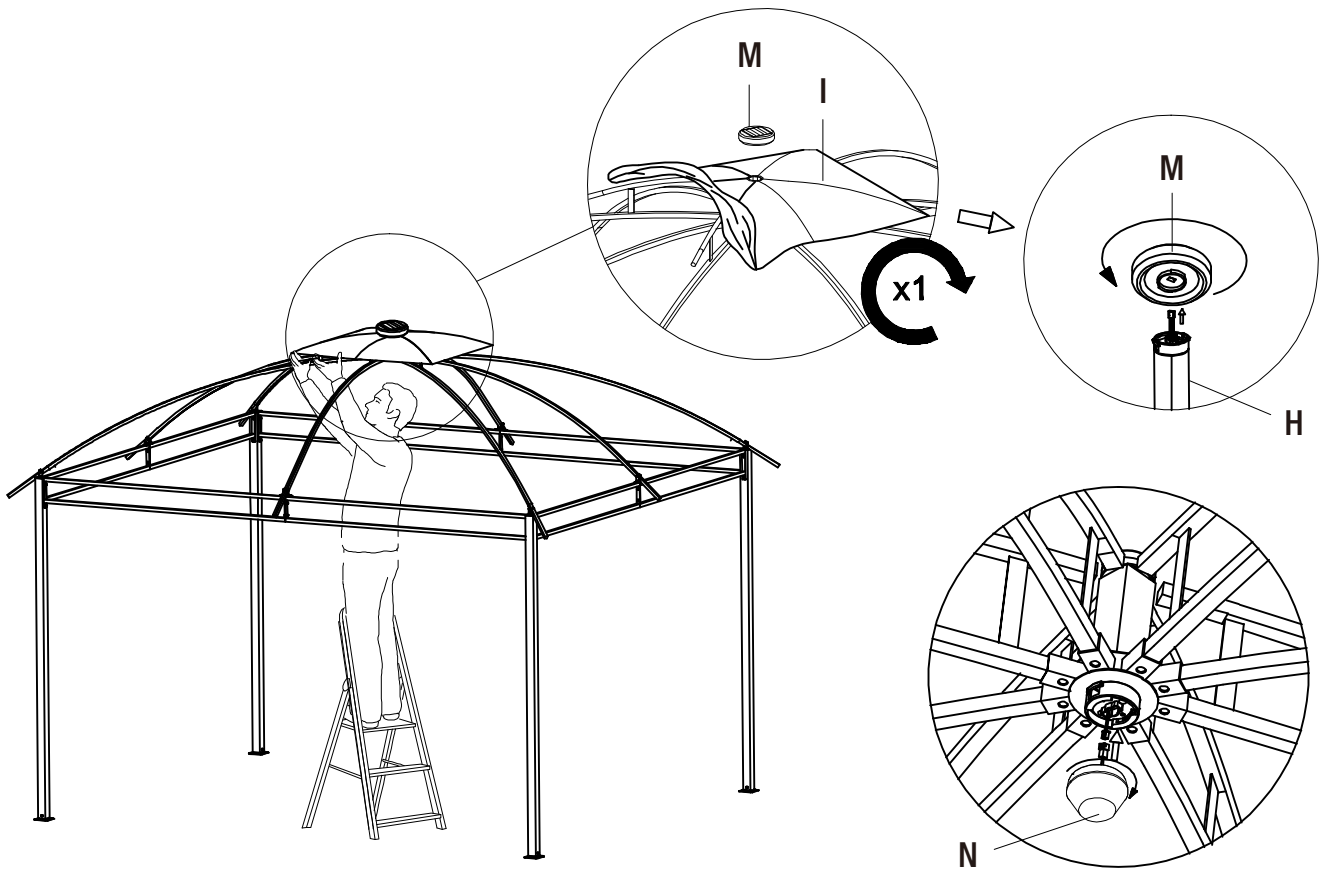
## Assembly (continued)

### 8 Assembling the roof

- Put the small canopy (I) on top.
- Insert the wire connector on the top center connector (H) into the solar plate (M). Then turn the solar plate (M) and insert it into the slot of the top center connector (H).
- Insert the wire connector on the top center connector (H) into the light (N).

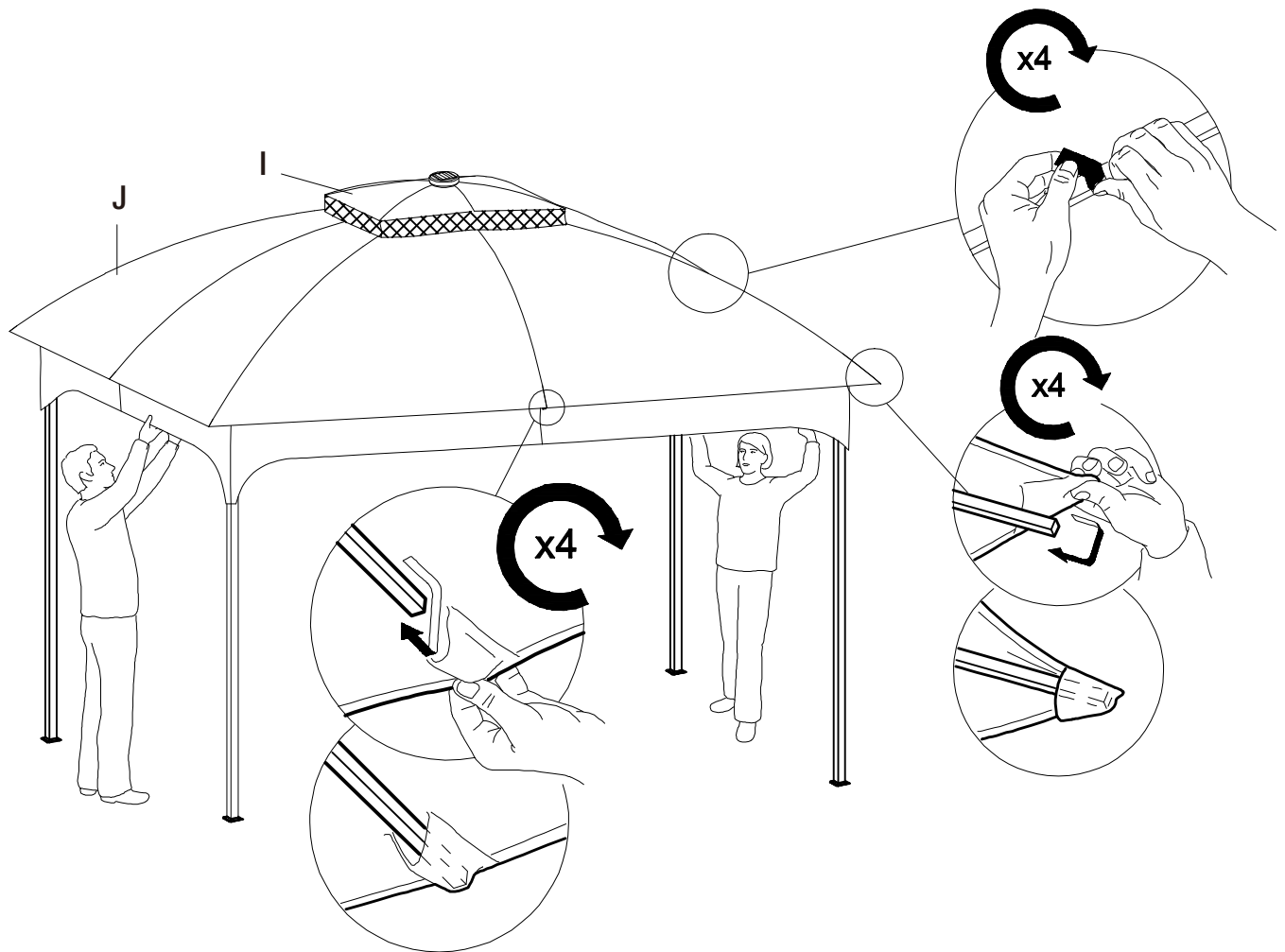


**NOTE:** Suggested to stand on a ladder when assembling, as shown below.



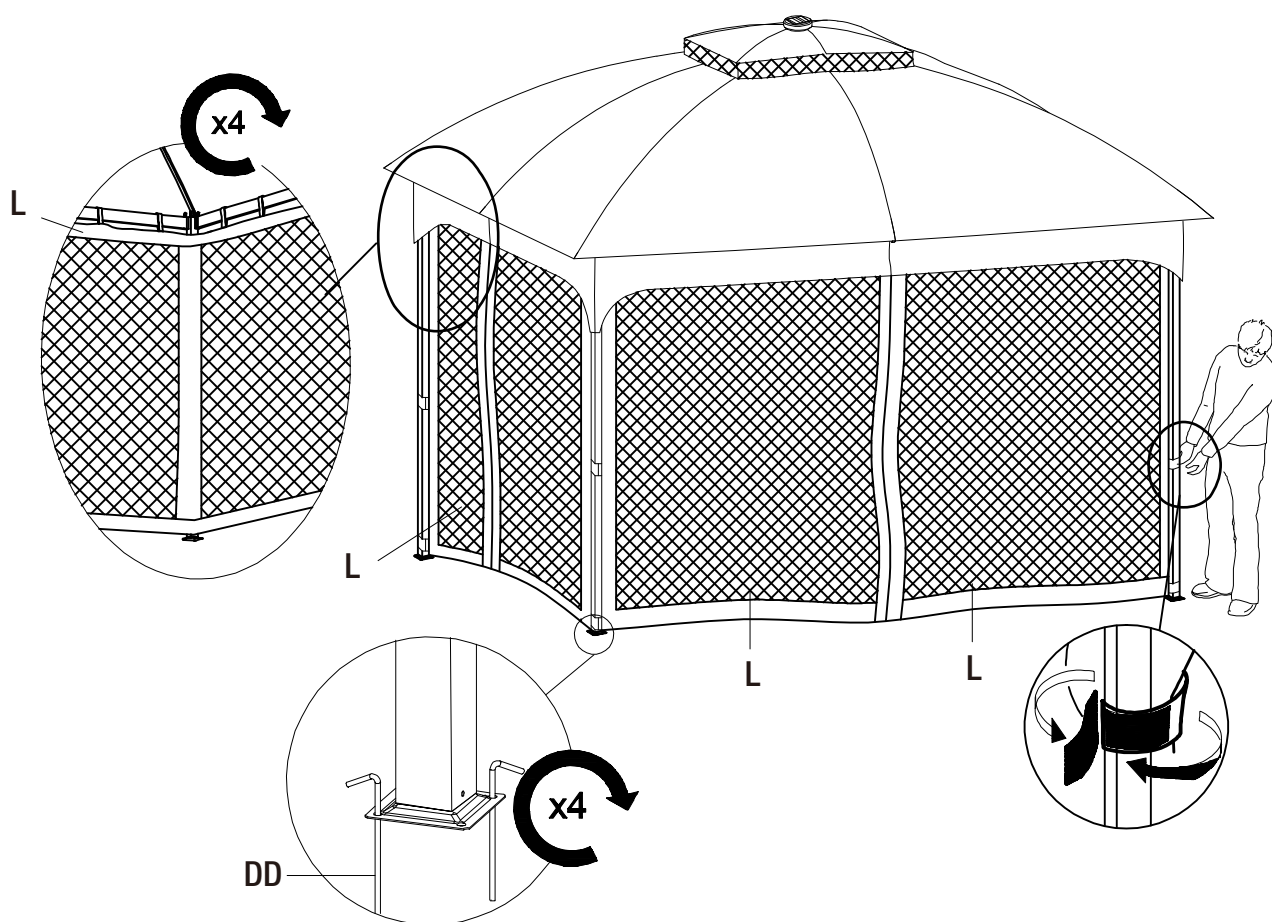
## 9 Assembling the roof

- Place the large canopy (J) over the roof. Make sure the canopy edge is covering the tube.



# 10 Attaching the net sidewalls

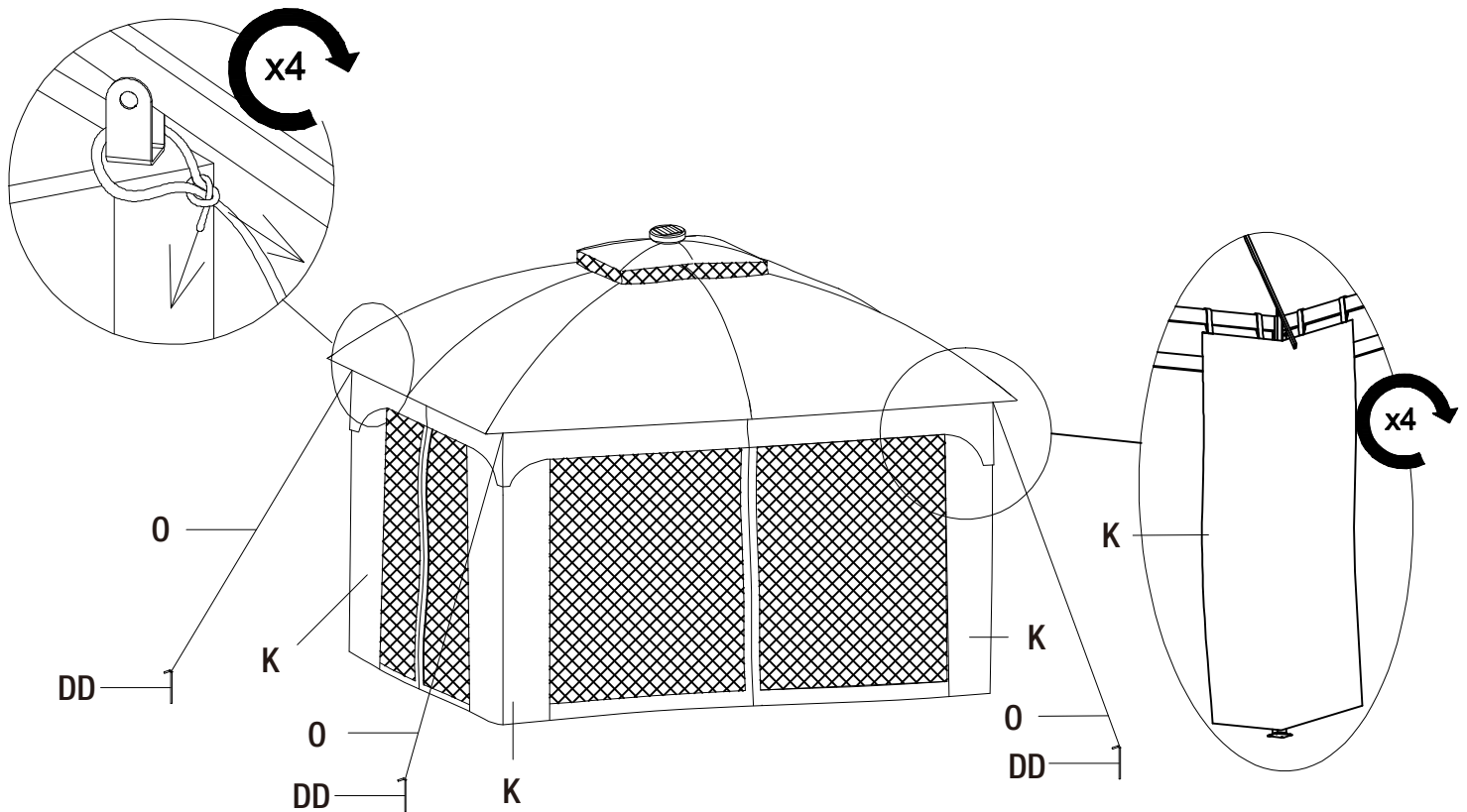
- Hang the net sidewalls (L) inside the posts, around the four sides.
- Secure the gazebo to the ground using the ground stakes (DD).



## Assembly (continued)

### 11 Attaching the sidewalls

- Hang the sidewalls (K) outside the posts, around the four sides.
- Pass one end of the rope (O) around the post, tie a knot, and fix the other end to the ground using the ground stakes (DD).



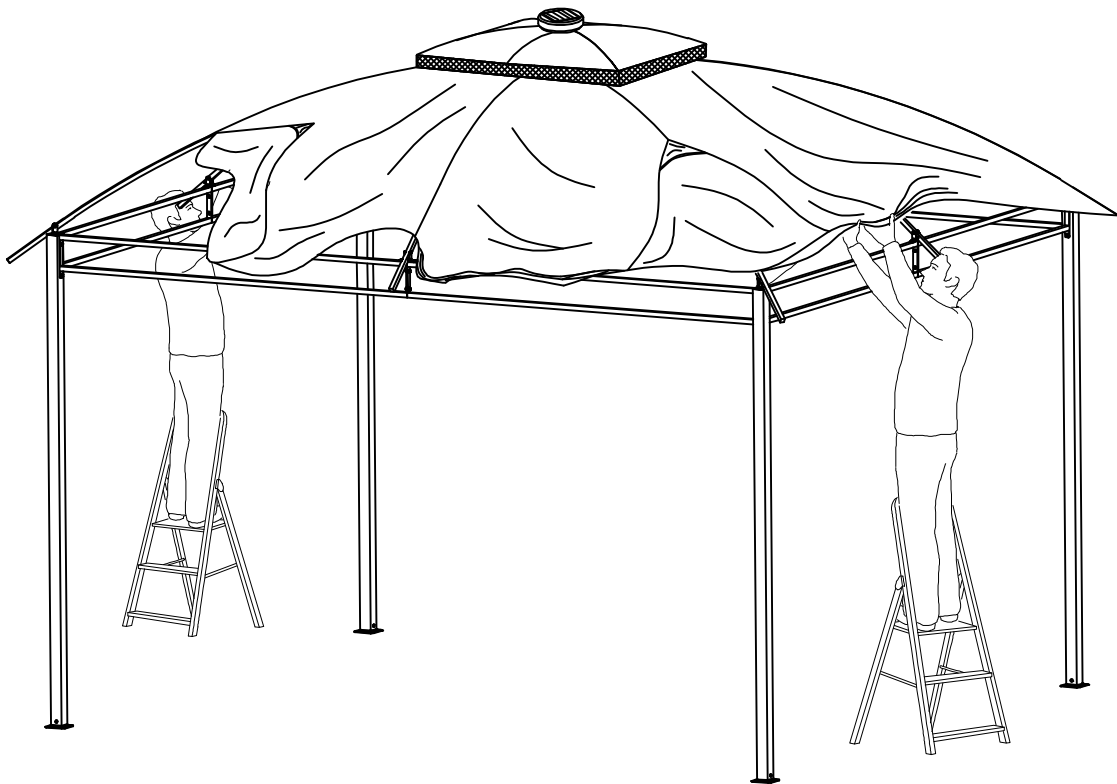
## Assembly (continued)

# 12 Removing the canopy

- Remove the canopy from gazebo to avoid any damage in case of inclement weather such as wind, snows, storms, or hail.



**NOTE:** Suggested to stand on a ladder when removing, as shown below.



## Care and Cleaning

- Clean gently with a sponge using environmentally-friendly soap and water solution. Do not use abrasive materials, such as wire brushes, chemicals, cleansers or bleach. Do not use a pressure washer. Rinse well. Allow to air dry.



# HAMPTON BAY<sup>®</sup>

Questions, problems, missing parts? Before returning to the store,  
call Hampton Bay Customer Service  
8 a.m. – 7 p.m., EST, Monday – Friday, 9 a.m. – 6 p.m., EST, Saturday

**1-855-HD-HAMPTON**

**HAMPTONBAY.COM**

Retain this manual for future use.