

PRINCETON™ RECESS BATH

Americast® brand engineered material

- 2390LH** Left Hand Outlet
- 2391RH** Right Hand Outlet
 - Acid resistant porcelain finish
 - Recess bath with integral apron and tiling flange
 - Integral lumbar support
 - Beveled headrest
 - Full slip-resistant coverage
 - End drain outlet
 - Integral base

Nominal Dimensions:

60" x 30" x 14"
(1524 x 762 x 356mm)

Bathing Well Dimensions:

1423 x 635 x 337mm
(56" x 25" x 13-1/4")

Compliance Certifications -

Meets or Exceeds the Following Specifications:

- ASME A112.19.1-2008/CSA B45.2-08
- ASTM F-462 for Slip-resistant Bathing Facilities
- ANSI Z124.1 Ignition Test
- ASTM E162 for Flammability
- NFPA 258 for Smoke Density



SEE REVERSE FOR PRODUCT DIMENSIONS
AND SPECIFICATIONS

Americast® brand engineered material is a composition of porcelain bonded to enameling grade metal, bonded to a patented structural composite.

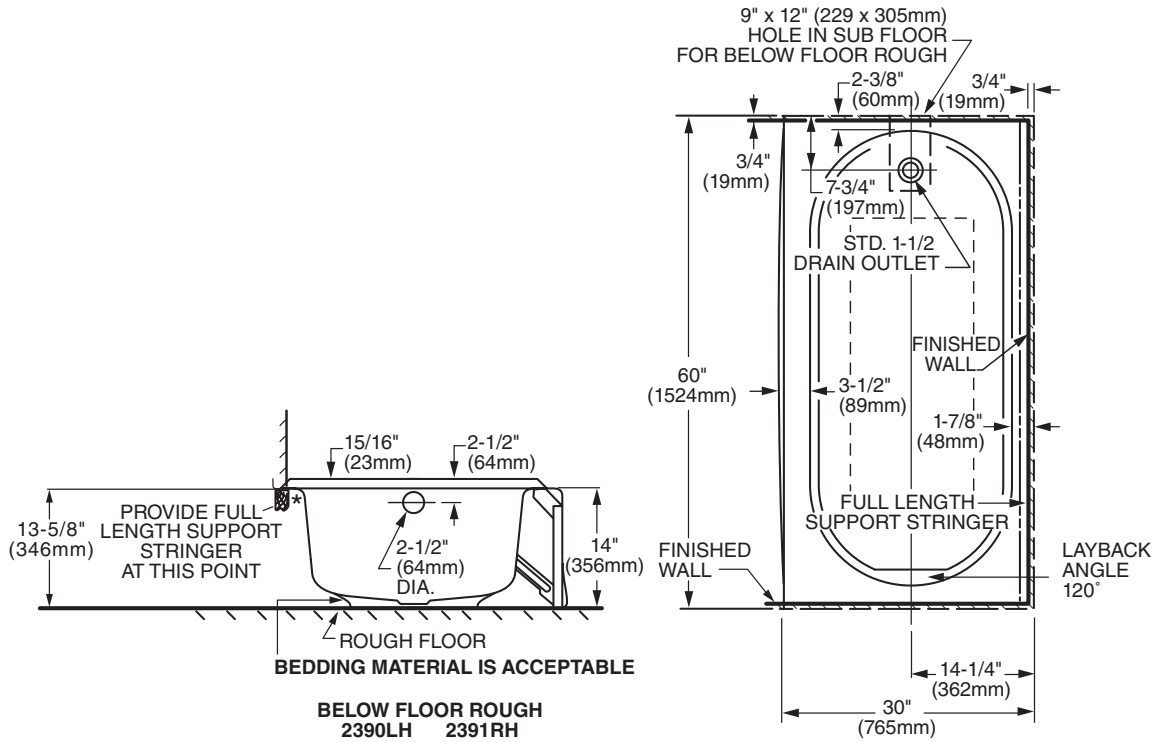
To Be Specified - Required:

- Color:
- Bath Faucet*:
- Faucet Finish:
- Drain:
- Drain Finish:

*See faucet section for additional models available



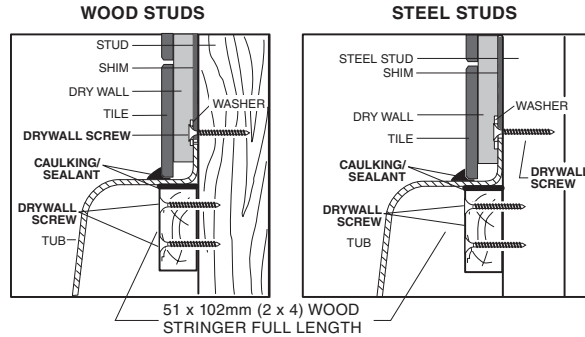
MEETS THE AMERICANS WITH DISABILITIES ACT GUIDELINES
AND ANSI A117.1 REQUIREMENTS FOR ACCESSIBLE AND
USEABLE BUILDING FACILITIES-CHECK LOCAL CODES.
INSTALL WITH SEAT AT HEAD END.



LEFT HAND TUB ILLUSTRATED
RIGHT HAND TUB IS REVERSED

Below is shown typical cross sections of the tub rim showing typical wall constructions.

GENERAL SPECIFICATIONS FOR 2390/2391 BATHING POOL	
INSTALLED SIZE	60 x 30 x 14 In. (1524 x 762 x 356mm)
WEIGHT	110 Lbs. (50 Kg.)
WEIGHT w/WATER	460 Lbs. (209 Kg.)
GAL. TO OVERFLOW	42 Gal. (159 L)
BATHING WELL AT SUMP	42 x 19 In. (1067 x 483mm)
BATHING WELL AT RIM	56 x 25 In. (1423 x 635mm)
WATER DEPTH TO OVERFLOW	9-1/2 In. (241mm)
FLOOR LOADING (PROJECTED AREA)	37 Lbs./Sq.Ft. (175 Kgs./Sq.m)
PTS.	6.2
CUBE (FT ³)	18.1



NOTES:

- LEFT HAND OUTLET SHOWN, RIGHT HAND REVERSE DIMENSIONS (2391RH).
- REFER TO INSTALLATION INSTRUCTIONS SUPPLIED WITH FITTING.
- CONCEALED PIPING NOT FURNISHED.
- FITTINGS NOT INCLUDED AND MUST BE ORDERED SEPARATELY.
- PROVIDE SUITABLE REINFORCEMENT FOR ALL WALL SUPPORTS.
- REFER TO INSTALLATION INSTRUCTIONS SUPPLIED WITH BATH.

IMPORTANT: Dimensions of fixtures are nominal and may vary within the range of tolerances established by ASME A112.19.1-2008/CSA B45.2-08. These measurements are subject to change or cancellation. No responsibility is assumed for use of superseded or voided leaflet.