



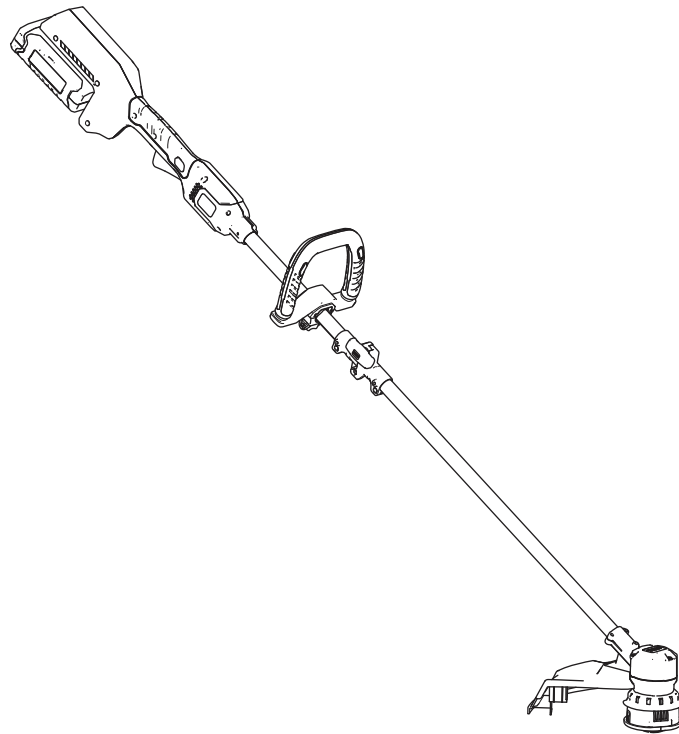
Count on it.

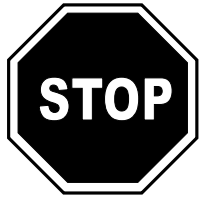
Operator's Manual

Power Plex™ 14in 40V MAX String Trimmer

Model No. 51482—Serial No. 317000001 and Up

Model No. 51482T—Serial No. 317000001 and Up





If you have questions or problems, call toll free **1-800-237-2654 (US)** or **1-800-248-3258 (Canada)** before returning this product.

▲ WARNING

CALIFORNIA Proposition 65 Warning

This product contains a chemical or chemicals known to the State of California to cause cancer, birth defects, or reproductive harm.

Introduction

This trimmer is intended to be used by residential homeowners to trim grass as needed outdoors. It is designed primarily to use battery pack Model 88540 (provided with Model 51482) or 88541.

Read this information carefully to learn how to operate and maintain your product properly and to avoid injury and product damage. You are responsible for operating the product properly and safely.

Register your product at www.Toro.com to ensure that Toro can notify you in the case of a safety or warranty product recall.

Model 51482T does not include a battery pack or a charger.

Safety

WARNING: When using electric gardening appliances, always follow basic safety precautions to reduce the risk of fire, electric shock, and personal injury, including the following:

▲ WARNING

Failure to follow all warnings and instructions may result in electric shock, fire and/or serious injury.

Read all safety warnings and all instructions.

Save all warnings and instructions for future reference.

The term “power tool” in all of the warnings refers to your mains-operated (corded) power tool or battery-operated (cordless) power tool.

1. **Work area safety**
 - A. **Keep the work area clean and well lit.** *Cluttered or dark areas invite accidents.*
 - B. **Do not operate power tools in explosive atmospheres, such as in the presence of flammable liquids, gasses, or dust.** *Power tools create sparks, which may ignite the dust or fumes.*
 - C. **Keep children and bystanders away while operating a power tool.** *Distractions can cause you to lose control.*
 - D. **Avoid dangerous environments.** *Do not use appliances in damp or wet locations.*
2. **Personal safety**
 - A. **Stay alert; watch what you are doing and use common sense when operating a power tool. Do not use a power tool while you are tired or under the influence of drugs, alcohol, or medication.** *A moment of inattention while operating power tools may result in serious personal injury.*
 - B. **Use personal protective equipment. Always wear eye protection.** *Protective equipment such as a dust mask, non-skid safety shoes, a hard hat, or hearing protection used for appropriate conditions will reduce personal injuries.*
 - C. **Prevent unintentional starting. Ensure the switch is in the OFF position before connecting to power source and/or battery pack and picking up or carrying the tool.** *Carrying power tools with your finger on the switch or energizing power tools that have the switch on invites accidents.*
 - D. **Do not overreach. Keep proper footing and balance at all times.** *This enables better control of the power tool in unexpected situations.*
 - E. **Dress properly. Do not wear loose clothing or jewelry. Keep your hair, clothing and gloves away from moving parts.** *Loose clothes, jewelry, or long hair can be caught in moving parts.*

- F. **Keep your hands and feet away from the cutting area.**

3. Power tool use and care

- A. **Do not force the power tool. Use the correct power tool for your application.** *The correct power tool will do the job better and safer at the rate for which it was designed.*
- B. **Do not use the power tool if the switch does not turn it on and off.** *Any power tool that cannot be controlled with the switch is dangerous and must be repaired.*
- C. **Remove the battery pack from the power tool before making any adjustments, changing accessories, or storing power tools.** *Such preventive safety measures reduce the risk of starting the power tool accidentally.*
- D. **Store idle power tools out of the reach of children and do not allow persons unfamiliar with the power tool or these instructions to operate the power tool.** *Power tools are dangerous in the hands of untrained users.*
- E. **Store idle appliances indoors.** *When not in use, appliances should be stored indoors in a dry and high or locked-up place, out of the reach of children.*
- F. **Maintain power tools. Check for misalignment or binding of moving parts, breakage of parts and any other condition that may affect the power tools operation. If damaged, have the power tool repaired before use.** *Many accidents are caused by poorly maintained power tools.*
- G. **Maintain appliance with care. Keep cutting edge sharp and clean for best performance and to reduce the risk of injury. Follow instructions for lubricating and changing accessories. Keep handles dry, clean, and free from oil and grease.**
- H. **Keep cutting tools sharp and clean.** *Properly maintained cutting tools with sharp cutting edges are less likely to bind and are easier to control.*
- I. **Use the power tool in accordance with these instructions and in the manner intended for the particular type of power tool, taking into account the working conditions and the work to be performed.** *Using the power tool for operations different from those intended could result in a hazardous situation.*
- J. **Keep guards in place and in working order.**
- K. **Check for damaged parts.** *Before further use of the appliance, a guard or other part that is damaged should be carefully checked to determine that it will operate properly and perform its intended function. Check for alignment of moving parts, binding of moving parts, breakage of parts, mounting, and any other condition that may affect its*

operation. A guard or other part that is damaged should be properly repaired or replaced by an authorized service center unless indicated elsewhere in this manual.

4. Service

Have your power tool serviced by a qualified repair person using only identical replacement parts. *This will ensure that the safety of the power tool is maintained.*

5. Battery Safety

- A. *Do not charge appliance in rain or in wet locations.*
- B. *Do not use battery-operated appliance in the rain.*
- C. *Use only the following type and size battery(ies): Toro battery Model 88540 or 88541.*
- D. *Remove or disconnect the battery before servicing, cleaning, or removing material from the gardening appliance.*
- E. *Do not dispose of the battery(ies) in a fire. The cell may explode. Check with local codes for possible special disposal instructions.*
- F. *Do not open or mutilate the battery(ies). Released electrolyte is corrosive and may cause damage to the eyes or skin. It may be toxic if swallowed.*
- G. *Exercise care in handling batteries in order not to short the battery with conducting materials such as rings, bracelets, and keys. The battery or conductor may overheat and cause burns.*

SAVE THESE INSTRUCTIONS

Safety and Instructional Decals



Safety decals and instructions are easily visible to the operator and are located near any area of potential danger. Replace any decal that is damaged or missing.

40V MAX* DC **0.080" line / 2.0mm ligne**

*Battery manufacturer rating = 40V maximum & 36V nominal. Actual voltage varies with load.
*Tension indiquée par le fabricant de la batterie = 40 V max., 36 V nominale. La tension réelle varie en fonction de la charge.

THE TORO COMPANY
8111 Lyndale Avenue South
Bloomington, MN 55420-1196 USA

PATENT: www.tcopats.com
Country of Origin: PRC / Pays d'origine : PRC

Model: **51482**
Serial Number:
Numéro de série:
Date Code:
Code de date:

Intertek
3131666 Conforms to UL STD 82
Certified to CSA STD C22.2 #147

decal136-2465

136-2465

Model 51482

40V MAX* DC **0.080" line / 2.0mm ligne**

*Battery manufacturer rating = 40V maximum & 36V nominal. Actual voltage varies with load.
*Tension indiquée par le fabricant de la batterie = 40 V max., 36 V nominale. La tension réelle varie en fonction de la charge.

THE TORO COMPANY
8111 Lyndale Avenue South
Bloomington, MN 55420-1196 USA

PATENT: www.tcopats.com
Country of Origin: PRC / Pays d'origine : PRC

Model: **51482T**
Serial Number:
Numéro de série:
Date Code:
Code de date:

Intertek
3131666 Conforms to UL STD 82
Certified to CSA STD C22.2 #147

decal136-2466

136-2466

Model 51482T

WARNING To reduce the risk of injury, user must read the instruction manual. Use only with TORO PowerPlex battery charger. Wear eye protection. Do not short terminals. Do not throw into fire. Risk of fire, explosion and burns. Do not disassemble, crush, expose to heat or incinerate. Keep battery out of reach of children. To reduce risk of injury to persons, remove battery pack when not in use.

AVERTISSEMENT Pour réduire le risque de blessures, l'utilisateur doit lire le manuel d'utilisation. Utilisez uniquement avec chargeur de batterie TORO PowerPlex. Portez des lunettes de protection. Ne pas court-circuiter. Ne jetez pas au feu. Risque d'incendie, d'explosion et des brûlures. Ne pas démonter, écraser, exposer à une température anormale ou incinérer. Conservez la batterie hors de portée des enfants. Pour réduire les risques de blessures corporelles, retirez l'ensemble batterie quand la machine ne sert pas.

TORO 40V MAX* DC **90 Wh**
Li-Ion Battery / Batterie au lithium-ion

*Battery manufacturer rating = 40V maximum & 36V nominal. Actual voltage varies with load.
*Tension indiquée par le fabricant de la batterie = 40 V max., 36 V nominale. La tension réelle varie en fonction de la charge.

THE TORO COMPANY
8111 Lyndale Avenue South
Bloomington, MN 55420-1196 USA

Country of Origin: PRC / Pays d'origine : PRC
PATENT: www.tcopats.com

Model: **88540**
Serial Number:
Numéro de série:
Date Code:
Code de date:

decal136-2471

136-2471

TORO

LITHIUM-ION BATTERY CHARGER
CHARGEUR DE BATTERIE LITHIUM-ION

Input: 100-120V AC 50/60Hz Max 3.0A
Output: 41.8V MAX* DC 2.5A

*Battery manufacturer rating = 40V maximum & 36V nominal. Actual voltage varies with load.
*Tension indiquée par le fabricant de la batterie = 40 V max., 36 V nominale. La tension réelle varie en fonction de la charge.

Backfeed Protection / Protection contre le retour d'énergie
To reduce the risk of injury, user must read the instruction manual. Charge only TORO PowerPlex type rechargeable battery. Other types of batteries may burst causing personal injury and damage. Risk of electric shock. Do not expose to liquid, vapor, or rain. Do not interconnect output terminal. For indoor use only.

CAUTION Pour réduire le risque de blessures, l'utilisateur doit lire le manuel d'utilisation. Utilisez uniquement pour les batteries rechargeables type TORO PowerPlex. D'autres types de batteries pourraient exploser et causer des blessures ou des dommages. Risque de décharge électrique. Ne pas exposer à des liquides, à la vapeur ou à la pluie. Ne pas interconnecter la borne de sortie. Pour usage intérieur uniquement.

Country of Origin: PRC / Pays d'origine : PRC

THE TORO COMPANY
8111 Lyndale Avenue South
Bloomington, MN 55420-1196 USA

PATENT: www.tcopats.com

Conforms to UL STD 1012
Certified to CAN/CSA
STD C22.2 No.107.2-01

Intertek
3131666

Model: **88542** SL
Serial Number:
Numéro de série:
Date Code:
Code de date:

decal136-2473

136-2473

WARNING TO REDUCE THE RISK OF INJURY, USER MUST READ INSTRUCTION MANUAL. Do not expose to rain. Use only TORO PowerPlex battery. To reduce risk of injury to persons, remove battery pack when not in use; Use safety glasses or similar eye protection. To reduce the risk of injury to persons, do not operate without guards in place.

AVERTISSEMENT POUR RÉDUIRE LES RISQUES DE BLESSURES, LISEZ ATTENTIVEMENT LE MANUEL DE L'UTILISATEUR. Ne l'exposez pas à la pluie. Utilisez uniquement avec batterie TORO PowerPlex. Pour réduire les risques de blessures corporelles, retirez l'ensemble batterie quand la machine ne sert pas. Portez des lunettes de sécurité ou autres protections oculaires du même genre. Pour réduire les risques de blessures, n'utilisez jamais la machine sans ses protections.

decal136-2474

136-2474

POWERPLEX™ 40V MAX LITHIUM

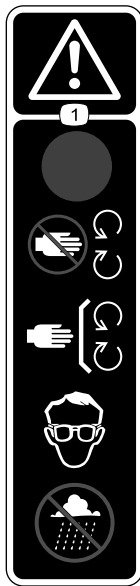
CHARGING PROCEDURE (LED INDICATOR) / PROCÉDURE DE CHARGEMENT (VOYANT DEL)
DO NOT REMOVE THIS DECAL / NE PAS RETIRER CET AUTOCOLLANT

1 2 3 4

decal136-2476

136-2476

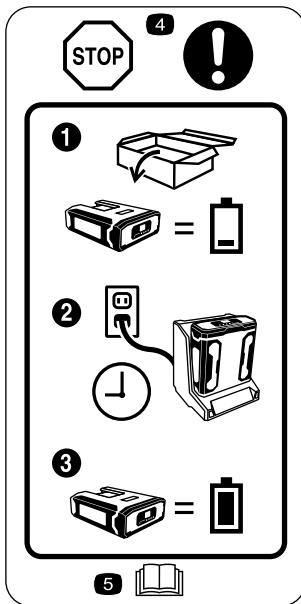
1. The battery pack is charging.
2. The battery pack is fully charged.
3. The battery pack is too warm.
4. Replace the battery pack.



136-2533

decal136-2533

1. Warning—read the *Operator's Manual*; keep away from moving parts; keep all guards and covers in place; wear eye protection; do not operate in wet conditions.



136-2534

decal136-2534

1. The battery does not come out of the box fully charged.
2. Place the battery in the battery charger.
3. Wait until the battery is fully charged before the first use.
4. Stop—follow these instructions before first use.
5. Read the *Operator's Manual*.

Setup

Loose Parts

Use the chart below to verify that all parts have been shipped.

Procedure	Description	Qty.	Use
1	No parts required	–	Mount the battery charger (optional).
2	Connector knob	1	Unfold the handle.
3	Auxiliary handle	1	Install the auxiliary handle.
4	Guard Phillips head screw	1 4	Install the guard.

Note: The battery pack is not fully charged when you purchase it. Before using the tool for the first time, refer to [Charging the Battery Pack](#) (page 9).

1

Mounting the Battery Charger (Optional)

No Parts Required

Procedure

If desired, mount the battery charger securely on a wall using the wall-mount key holes on the back of the charger.

Mount it indoors (such as a garage or other dry place), near a power outlet, and out of the reach of children.

Refer to [Figure 1](#) for assistance in mounting the charger.

Note: Slide and twist the charger over the appropriately positioned hardware to secure the charger in place (hardware not included).

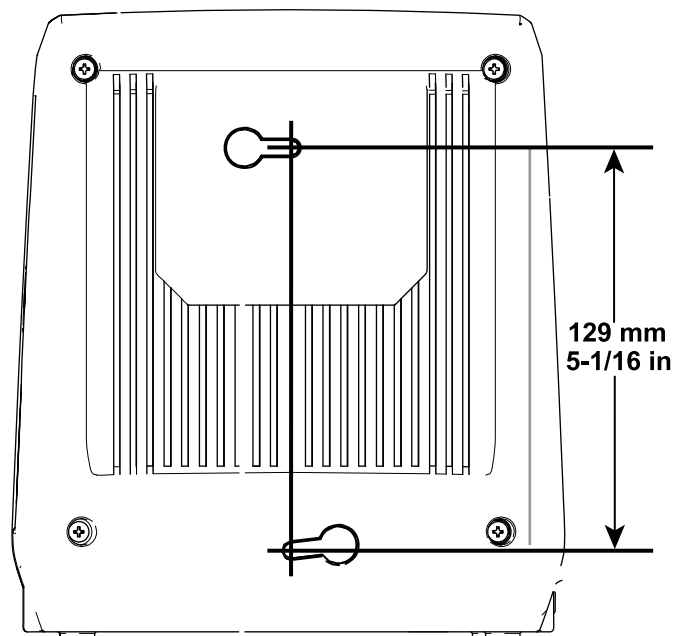


Figure 1

g194202

2

Unfolding the Handle

Parts needed for this procedure:

1	Connector knob
---	----------------

Procedure

1. Remove the handle connector knob from the tool (A of [Figure 2](#)).
2. Unfold the handle (B of [Figure 2](#)).
3. Install the handle connector knob to secure the handle (C of [Figure 2](#)).

Note: The nut that holds the handle connector knob in place is lightly secured in the connector housing.

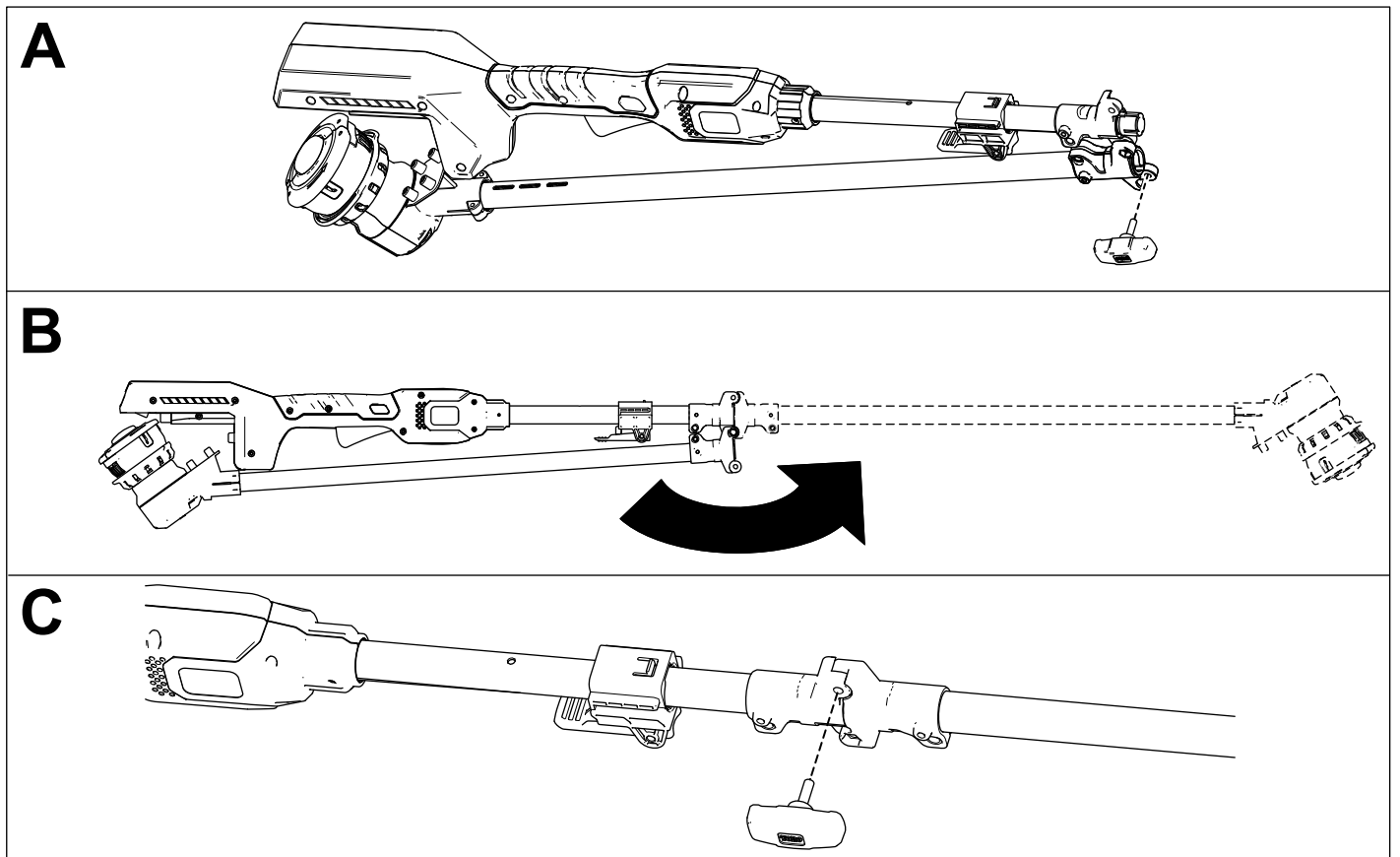


Figure 2

g203886

3

Installing the Auxiliary Handle

Parts needed for this procedure:

1	Auxiliary handle
---	------------------

Procedure

1. Line up the groove along the handle with the groove on the auxiliary handle and slide the auxiliary handle toward the trimmer handle (A of [Figure 3](#)).
2. Snap the handle securely into place (B of [Figure 3](#)).

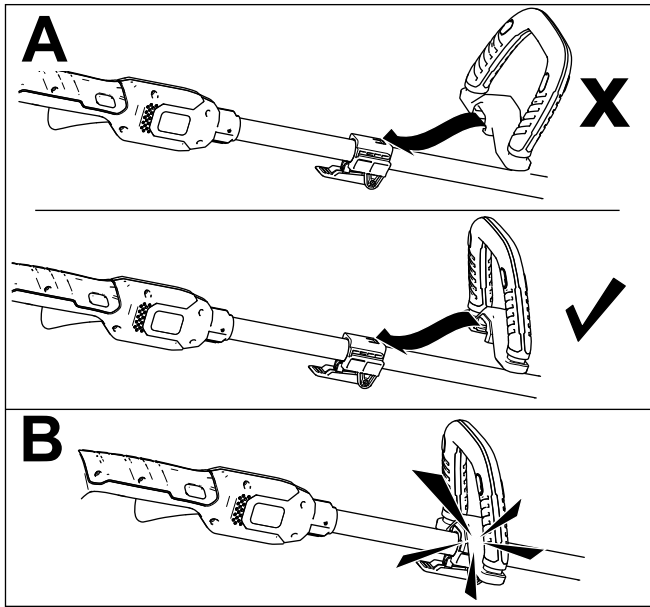


Figure 3

g195362

4

Installing the Guard

Parts needed for this procedure:

1	Guard
4	Phillips head screw

Procedure

Remove the 4 Phillips head screws that are taped to the guard and use them to install the guard ([Figure 4](#)).

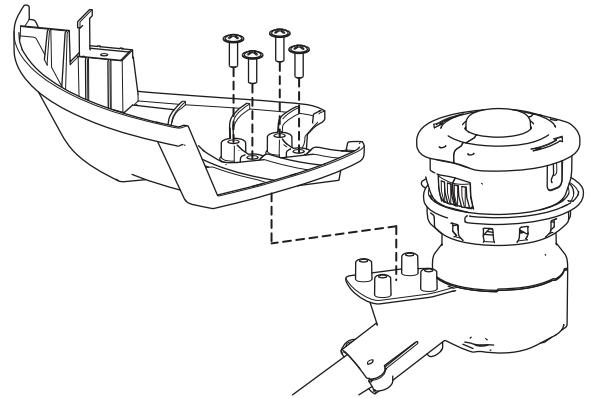


Figure 4

g189988

Operation

Starting the Trimmer

1. Make sure that the vents on the trimmer are clear of any dust and debris.

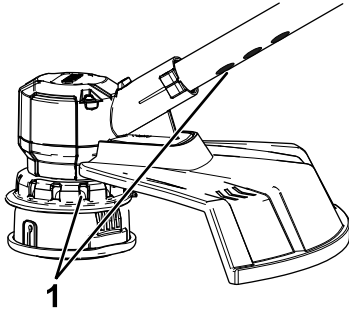


Figure 5

g195377

1. Trimmer venting areas

2. Align the cavity in the battery pack with the tongue on the handle housing (Figure 6).
3. Push the battery pack into the handle until the battery pack locks into the latch (Figure 6).

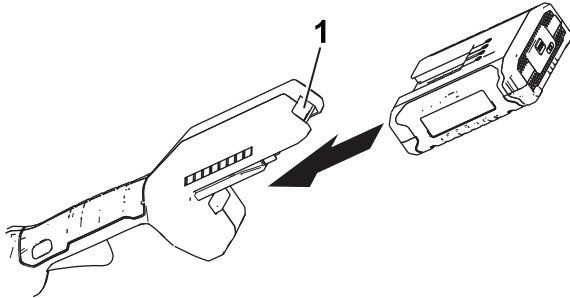


Figure 6

g189881

1. Battery latch

4. To start the trimmer, press the lockout button, then squeeze the variable-speed trigger (Figure 7).

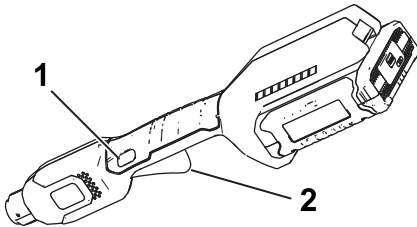


Figure 7

g189886

1. Lockout button
2. Variable-speed trigger

Removing the Battery Pack from the Trimmer

Press the battery latch on the machine to release the battery pack and slide the battery pack out of the machine (Figure 8).

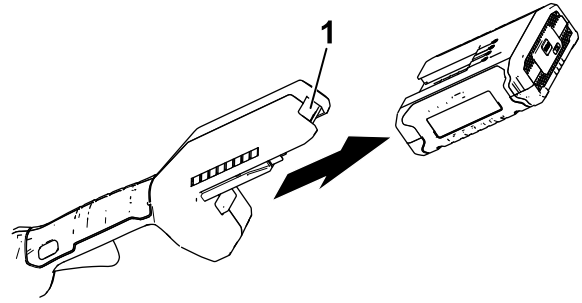


Figure 8

g192774

1. Battery latch

Charging the Battery Pack

Important: Read all safety precautions.

Important: For best results, charge your battery pack in a location where the temperature is more than 0°C (32°F) but less than 50°C (122°F). To reduce the risk of serious personal injury, do not store it outside or in vehicles. Charging time increases if you do not charge it within this range.

Note: At any time, press the battery-charge-indicator button on the battery pack to display the current charge (LED indicators).

1. Make sure that the vents on the battery pack are clear of any dust and debris.
2. Line up the cavity in the battery pack (Figure 9) with the tongue on the charger.

Stopping the Trimmer

To stop the trimmer, release the trigger.

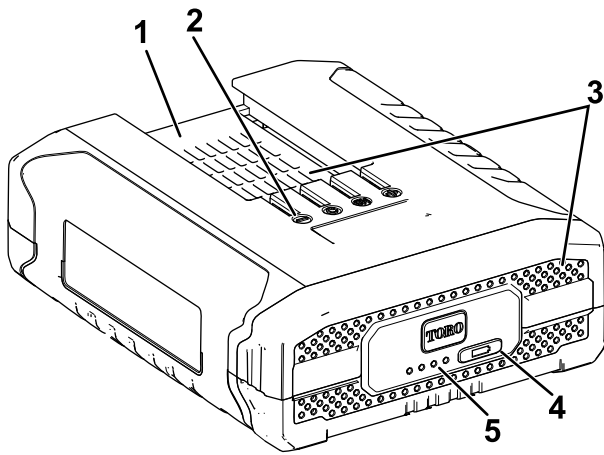


Figure 9

g192748

- 1. Battery pack cavity
- 2. Battery pack terminals
- 3. Battery pack venting areas
- 4. Battery-charge-indicator button
- 5. LED indicators (current charge)

- 3. Make sure that the vents on the battery charger are clear of any dust and debris.
- 4. Slide the battery pack into the charger until it is fully seated (Figure 10).

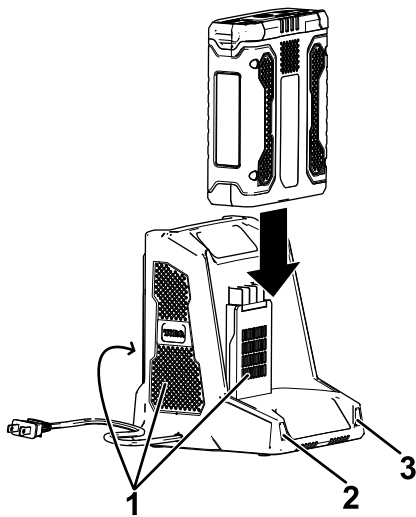


Figure 10

g194423

- 1. Charger venting areas
- 2. Left indicator light
- 3. Right indicator light

- 5. To remove the battery pack, slide the battery backward out of the charger.
- 6. Refer to the following table to interpret the LED indicators on the battery charger.

Left Light	Right Light	Indicates:
Off	Red	Charger is on; no battery pack inserted
Red	Red	Battery pack is charging
Green	Red	Battery pack is charged
Orange	Red	Battery pack is too warm
Red Blinking	Red	Replace the battery pack

Advancing the Line Using the Bump Feed

1. Run the tool at full throttle.
2. Tap the bump button on the ground to advance the line. The line advances each time the bump button is tapped. Do not hold the bump button on the ground.

Note: The line trimming cut-off blade on the grass deflector will cut the line to the correct length.

Note: If the line is worn too short you may not be able to advance the line by tapping it on the ground. If so, release the trigger and refer to [Advancing the Line Manually](#) (page 10).

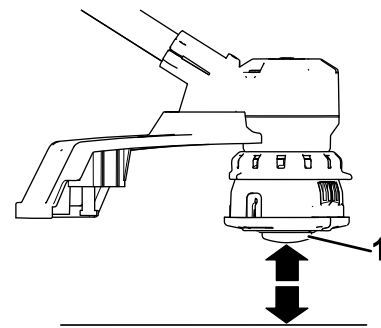


Figure 11

g194633

- 1. Bump button

Advancing the Line Manually

Remove the battery pack from the trimmer, then push the bump button at the base of the spool retainer while pulling on the trimmer line to manually advance the line.

Adjusting the Auxiliary Handle

1. Release the auxiliary-handle latch (A of Figure 12).
2. Slide the auxiliary handle up or down to your desired height (B of Figure 12).

Important: Do not remove the rubber bumper.

3. Close the auxiliary-handle latch to secure the auxiliary handle in place (C of Figure 12).

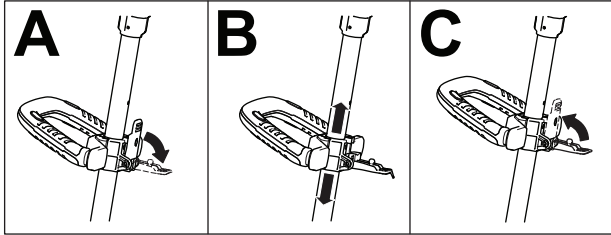


Figure 12

g189875

Trimming



Figure 13

g189990

Operating Tips

- Keep the trimmer tilted toward the area being cut; this is the best cutting area.
- The string trimmer cuts when you move it from left to right. This prevents the trimmer from throwing debris at you.
- Use the tip of the string to do the cutting; do not force the string head into uncut grass.
- Wire and picket fences can cause the string to wear rapidly and even break. Stone and brick walls, curbs, and wood can also cause the string to wear rapidly.
- Avoid trees and shrubs. The string can easily damage tree bark, wood moldings, siding, and fence posts.

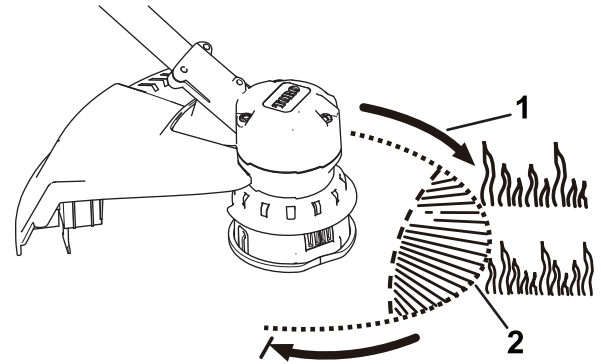


Figure 14

g189989

1. Direction of rotation
2. String path

Maintenance

After each use of the trimmer, complete the following:

1. Remove the battery from the trimmer.
2. Wipe the trimmer clean with a damp cloth. Do not hose the trimmer down or submerge it in water.

⚠ CAUTION

The line cutoff blade on the deflector is sharp and can cut you.

Do not use your hands to clean the deflector shield and blade.

3. Wipe or scrape clean the cutting head area any time there is an accumulation of debris.
4. Check and tighten all fasteners. If any part is damaged or lost, repair or replace it.
5. Brush debris away from air intake vents and exhaust on motor housing to prevent the motor from overheating.

Replacing the Spool

Use only 2 mm (0.08 inch) diameter monofilament string. Use the original manufacturer's replacement string for best performance (Toro Part No. 88546).

Important: Using a larger diameter string causes the motor to overheat and fail.

1. Remove the battery.
2. Push in the tab on the side of the spool retainer (Figure 15).

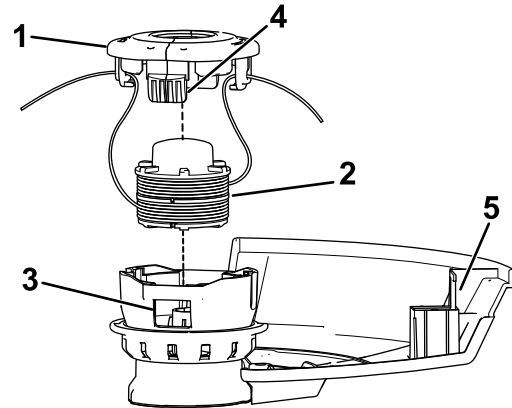


Figure 15

g203887

- | | |
|-------------------|----------------------|
| 1. Spool retainer | 4. Tab |
| 2. Spool | 5. Line cutoff blade |
| 3. Slot | |

3. Pull the spool retainer up to remove it and remove the spool.
4. To install the new spool, make sure that the string is captured in one of the retaining slots on the new spool. Make sure the end of the string extends approximately 152 mm (6 inches).
5. Install the new spool so that the string aligns with the eyelet in the string head. Thread the string into the eyelet.
6. Pull the string extending from the string head so the string releases from the slot in the spool.
7. Reinstall the spool retainer by depressing tabs into slots and pushing down until spool retainer clicks into place.

Replacing the String

1. Remove the battery.
2. Remove the spool; refer to [Replacing the Spool \(page 12\)](#).

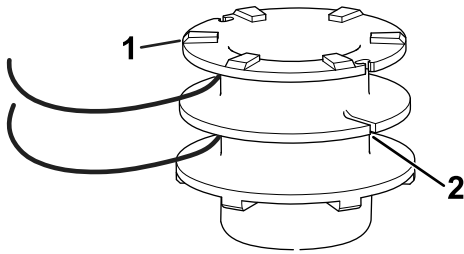


Figure 16

g2013888

1. Spool
2. Anchor slot

Note: Remove any old string remaining on the spool.

3. Each side of the spool accepts approximately 3.6 m (12 ft) of string. **Use only 2 mm (0.08 inch) diameter monofilament string.**

Note: Do not use any other gauge or type of string, as this could damage the trimmer.

4. Insert the string into the anchor slot in the upper part of the spool ([Figure 16](#)). Wind the string onto the spool in the direction shown by the arrows on the spool.
5. Place the string in the slot on the upper spool flange, leaving about 152 mm (6 inches) extended beyond the slot.

Note: Do not overfill. After winding the string, there should be at least 6 mm (1/4 inch) between the wound string and the outside edge of the spool.

6. Replace the spool and the spool retainer; refer to [Replacing the Spool \(page 12\)](#).

Storage

Important: Store the tool, battery pack, and battery charger only in temperatures between -20°C (-4°F) and 70°C (158°F).

Important: Unplug the charger if you store it below -20°C (-4°F) or above 70°C (158°F).

Important: If you are storing the tool for a prolonged period of time, remove the battery pack. When you are ready to use the battery again, charge it until the left indicator light turns green on the charger or all 4 LED indicators turn blue on the battery.

- Disconnect the product from the power supply (i.e., remove the plug from the power supply or the battery pack) and check for damage after use.
- Clean all foreign material from the product.
- When not in use, store the tool, battery pack, and battery charger out of the reach of children.
- Keep the tool, battery pack, and battery charger away from corrosive agents, such as garden chemicals and de-icing salts.
- Store the tool, battery pack, and battery charger in a clean, dry area.

Preparing the Battery Pack for Recycling

Important: Upon removal, cover the terminals of the battery pack with heavy-duty adhesive tape. Do not attempt to destroy or disassemble the battery pack or remove any of its components. **Recycle or properly dispose of lithium-ion battery packs at a battery recycling facility.**

Troubleshooting

Perform only the steps described in these instructions. All further inspection, maintenance, and repair work must be performed by an authorized service center or a similarly qualified specialist if you cannot solve the problem yourself.

Problem	Possible Cause	Corrective Action
The tool does not start.	<ol style="list-style-type: none"> 1. The battery is not fully installed in the tool. 2. The battery pack is not charged. 3. The battery pack is damaged. 4. There is another electrical problem with the tool. 	<ol style="list-style-type: none"> 1. Remove and then replace the battery into the tool, making sure that it is fully installed and latched. 2. Remove the battery pack from the tool and charge it. 3. Replace the battery pack. 4. Contact an Authorized Service Dealer.
The tool does not reach full power.	<ol style="list-style-type: none"> 1. The battery pack charge capacity is too low. 2. The air vents are blocked. 	<ol style="list-style-type: none"> 1. Remove the battery pack from the tool and fully charge the battery pack. 2. Clean the air vents.
The tool is producing an unsatisfactory result.	<ol style="list-style-type: none"> 1. The blade is worn or damaged. 2. The thickness of branches exceed capacity. 	<ol style="list-style-type: none"> 1. Replace the blade. 2. Cut only branches that are equal to or smaller than the suggested diameter.
The tool is producing excessive vibration or noise.	<ol style="list-style-type: none"> 1. The blade is dull or damaged. 2. The bolts/nuts are loose. 	<ol style="list-style-type: none"> 1. Replace the blade. 2. Tighten the bolts/nuts.
The battery pack loses charge quickly.	<ol style="list-style-type: none"> 1. The battery pack is over or under the appropriate temperature range. 	<ol style="list-style-type: none"> 1. Move the battery pack to a place where it is dry and the temperature is between 0°C (32°F) and 50°C (122°F).
The battery charger is not working.	<ol style="list-style-type: none"> 1. The battery charger is over or under the appropriate temperature range. 2. The outlet that the battery charger is plugged into does not have power. 	<ol style="list-style-type: none"> 1. Unplug the battery charger and move it to a place where it is dry and the temperature is between 0°C (32°F) and 50°C (122°F). 2. Contact your licensed electrician to repair the outlet.
The battery pack shows only 3 LED indicators after only a few seconds of using a fully charged battery.	<ol style="list-style-type: none"> 1. This is a normal occurrence. 	<ol style="list-style-type: none"> 1. Stop the tool and press battery-charge-indicator button or the remove the battery from the tool to display the actual battery charge.
All 4 LED indicators are blinking on the battery pack after you press the battery-charge-indicator button on the battery pack and the current charge displays (when the battery pack is not in use).	<ol style="list-style-type: none"> 1. The battery pack is over or under the appropriate temperature range. 	<ol style="list-style-type: none"> 1. Move the battery pack to a place where it is dry and the temperature is between 0°C (32°F) and 50°C (122°F).
All 4 LED indicators are blinking on the battery pack after releasing the trigger (when the battery pack is in use).	<ol style="list-style-type: none"> 1. The battery pack is over or under the appropriate temperature range. 	<ol style="list-style-type: none"> 1. Move the battery pack to a place where it is dry and the temperature is between 0°C (32°F) and 50°C (122°F).
2 LED indicators are blinking on the battery pack after you press the battery-charge-indicator button on the battery pack and the current charge displays (when the battery pack is not in use).	<ol style="list-style-type: none"> 1. There is a difference in voltage between cells in the battery pack. 	<ol style="list-style-type: none"> 1. Place the battery on the charger until it is fully charged.
2 LED indicators are blinking on the battery pack after releasing the trigger (when the battery pack is in use).	<ol style="list-style-type: none"> 1. There is a difference in voltage between cells in the battery pack. 	<ol style="list-style-type: none"> 1. Place the battery on the charger until it is fully charged.

Notes:

The Toro Promise - Electric Products

A Three-Year¹ Full Warranty for Residential Use for the United States and Canada

The Toro Company and its affiliate, Toro Warranty Company, pursuant to an agreement between them, jointly warrant this product for three years against defects in material or workmanship when used for normal residential purposes.*

¹ Does not include the battery. 1 Year Battery Warranty for Residential Use.

If you think your Toro Product contains a defect in materials or workmanship, if you have questions or problems, and before returning this product call toll free:

Trimmers:

1-800-237-2654 (US)

1-800-248-3258 (Canada)

Chainsaw:

1-855-340-7689 (US and Canada)

Blowers:

1-888-367-6631 (US)

1-888-430-1687 (Canada)

Snowthrowers:

1-800-808-2963 (US)

1-800-808-3072 (Canada)

To receive a replacement or repair, at our option, return the complete unit to the seller. United States and Canada customers may return their product, with proof of purchase, to any Authorized Service Dealer. United States customers may also return their product, with proof of purchase, postage prepaid, to the Toro Service Center, 5500 SE Delaware, Ankeny, IA 50021.

This warranty covers product defects only. **Neither The Toro Company nor Toro Warranty Company is liable for indirect, incidental, or consequential damages in connection with the use of the Toro Products covered by this warranty, including any cost or expense of providing substitute equipment or service during reasonable periods of malfunction or non-use pending completion of repairs under this warranty. Some states do not allow exclusions of incidental or consequential damages, so the above exclusions may not apply to you.** This warranty gives you specific legal rights, and you may also have other rights which vary from state to state.

Countries Other than the United States and Canada

This warranty is not valid in Mexico. Customers who have purchased Toro products exported from the United States or Canada should contact their Toro Distributor (Dealer) to obtain guarantee policies for your country, province, or state. If for any reason you are dissatisfied with your Distributor's service or have difficulty obtaining guarantee information, contact the Toro importer. If all other remedies fail, you may contact us at Toro Warranty Company.

Australian Consumer Law

Australian customers will find details relating to the Australian Consumer Law either inside the box or at your local Toro Dealer.

* Residential use means use of the product on the same lot as your home.

Part Number 374-0262 Rev. G