

SF Series



Surf Access Doors

Doors are designed for surface installation on drywall, masonry or thin-coat plaster. Door features rounded safety corners and is attached to the frame with a continuous piano hinge allowing a 175 degree opening.

Door and Frame are fabricated from 14 gage, galvanized steel.

Frame is easily secured to the studs and anchored through pre-drilled holes in each corner. No additional reinforcement is required.

Latch is screwdriver operated.

Finish is a white prime coat suitable for painting.

Guide Specification

Provide Elmdor[®] SF Series, Surf Access Doors (specify model number and options). Access Door and Frame shall be fabricated from 14 gage, galvanized steel with a white prime coat finish. Door shall have a continuous piano hinge and rounded safety corners. Latch shall be screwdriver operated.



MODEL NUMBER AND OPTIONS SELECTION

BASE MODEL NUMBER

SF Surf Access Door

Suffix Options

- AKL Allen Key Latch
- SS Stainless Steel Construction (Type 304 No. 4 Satin Finish)

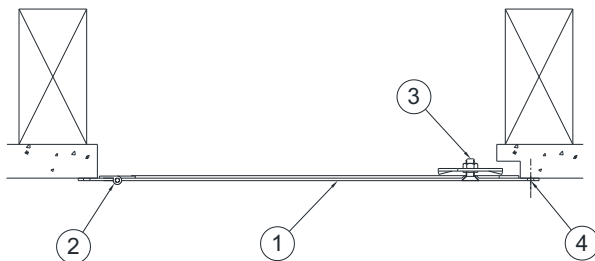
STANDARD AVAILABLE SIZES

Special sizes available upon request.

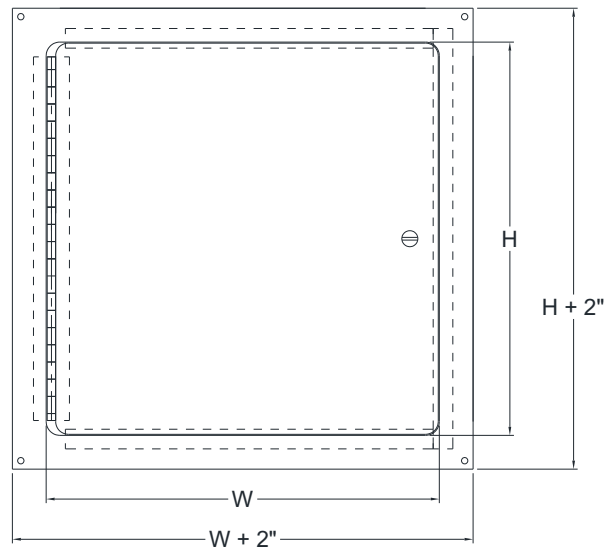
NOMINAL DOOR SIZE	ACTUAL DOOR SIZE (W x H)	LATCHES	WEIGHT
SF 8" x 8"	SF 7-5/8" x 7-5/8"	1	2.5 lbs.
SF 10" x 10"	SF 9-5/8" x 9-5/8"	1	3.5 lbs.
SF 12" x 12"	SF 11-5/8" x 11-5/8"	1	4 lbs.
SF 14" x 14"	SF 13-5/8" x 13-5/8"	1	6 lbs.
SF 16" x 16"	SF 15-5/8" x 15-5/8"	1	8 lbs.
SF 18" x 18"	SF 17-5/8" x 17-5/8"	3	9.5 lbs.
SF 22" x 22"	SF 21-5/8" x 21-5/8"	3	13.5 lbs.
SF 24" x 24"	SF 23-5/8" x 23-5/8"	3	16 lbs.

NOTES:

1. DOOR
2. PIANO HINGE
3. SCREWDRIVER OPERATED LATCH
4. MOUNTING HOLES



SIDE VIEW



FRONT VIEW

Dimensions are subject to manufacturer's tolerance of plus or minus 1/4". Elmdor/Stoneman assumes no responsibility for use of void or suspended data. Please visit www.elmdorstoneman.com for most current specifications. © Copyright 2009 Elmdor/Stoneman, City of Industry, CA, A Division of Acorn Engineering Company.

SELECTION SUMMARY & APPROVAL FOR MANUFACTURING

Model Number & Options _____	Quantity _____
Company _____	Date _____
Contact _____	Title _____
Approval for Manufacturing/Signature _____	

SF

Revised: 07/18/16