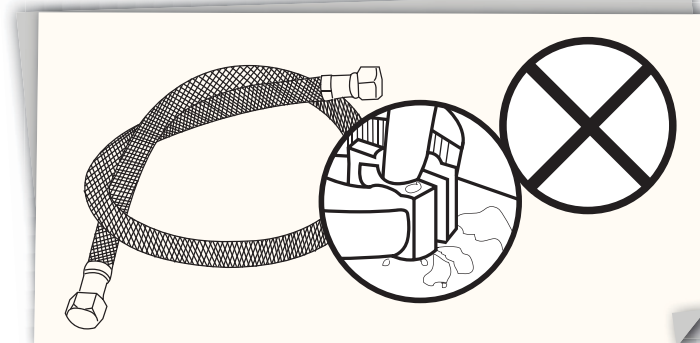


BIO BIDET® BBC-70

WARNING

Do Not over-tighten plumbing connections.

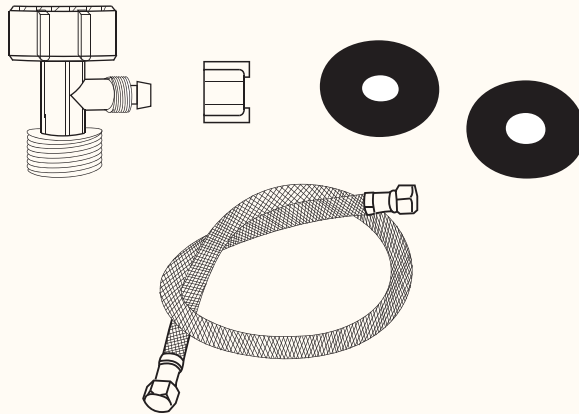
Over-tightening plumbing connections can damage parts and cause leak.



BIO BIDET® BBC-70

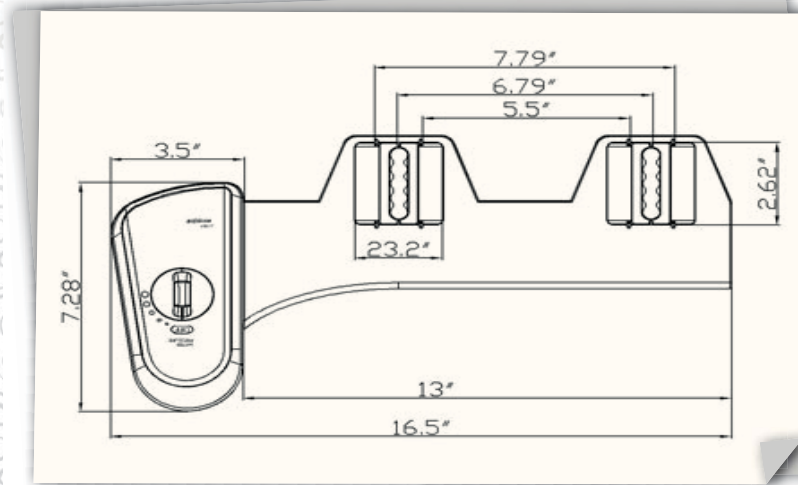
Parts List

Name	Quantity
Bidet	1
7/8" Fill Valve Adaptor	1
Water Supply Hose	1
Protective O rings	2
Owner's Manual	1



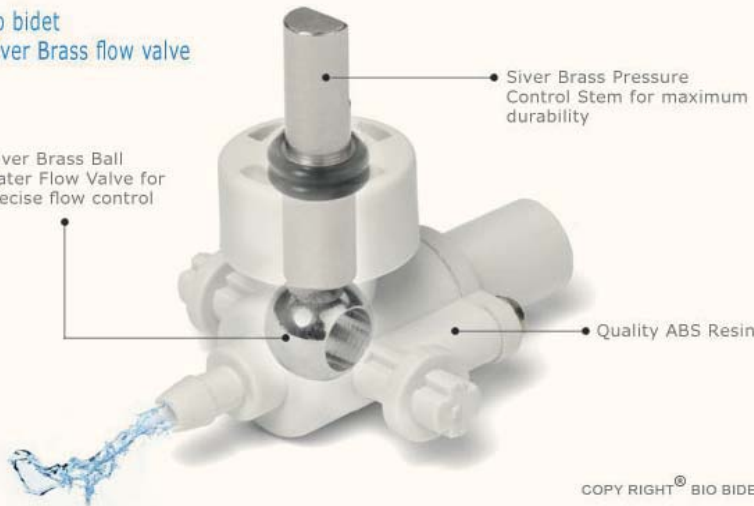
BIO BIDET® BBC-70

Configuration



bio bidet Silver Brass flow valve

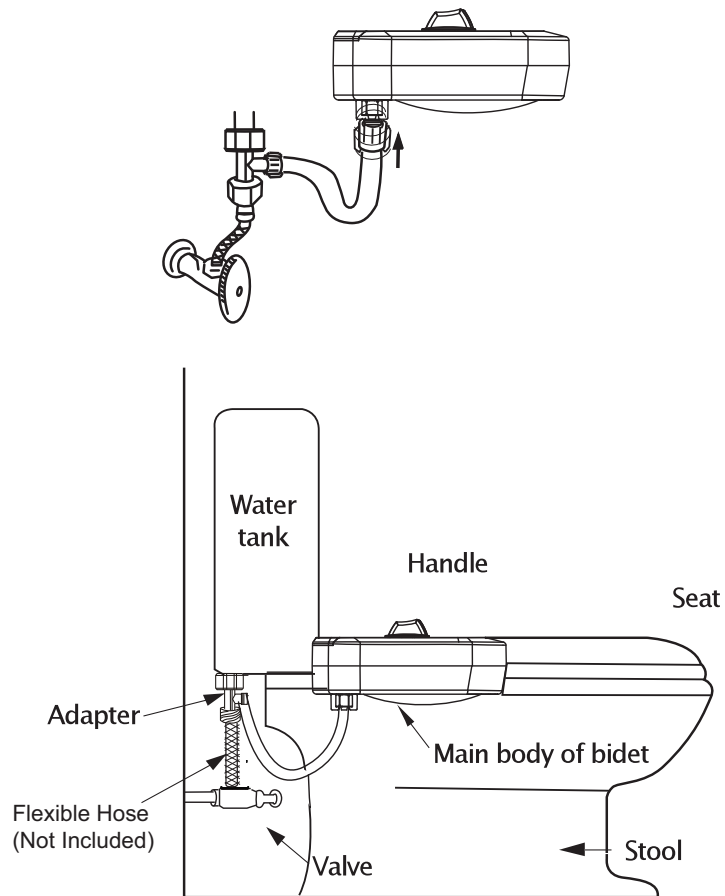
Silver Brass Ball
Water Flow Valve for
precise flow control



COPY RIGHT® BIO BIDET

BIO BIDET® BBC-70

Tighten nuts while checking for leaks.
Do Not over tight.



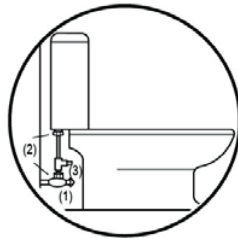
Installation Instructions

1. CAUTION

Do Not over tight any connections. Over tightening connections and adaptor can cause damage to the parts.

2. PROCEDURES OF ASSEMBLY

1



Shut water supply by turning it to the right and disassemble the water hose.
Flush toilet to drain water inside of toilet water tank before disassembling the water hose.

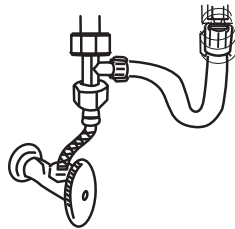
BIO BIDET® BBC-70

2



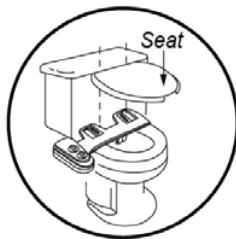
Remove existing seat and lid.
Release the bolts on both side of
the existing toilet seat.

3



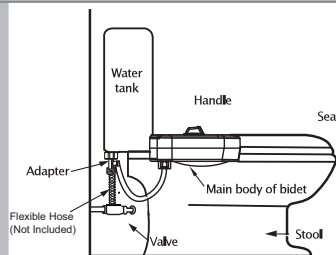
Connect supplied T valve to the
toilet fill valve. Note T valve will
be connected directly to toilet fill
valve, not the shut off valve. Then
connect rest of water lines to
connected T valve.

4



Mount bidet and toilet seat/lid
over toilet mounting holes.
Supplied rubber O-rings should be
placed under the bidet mounting
bracket to protect and secure
bidet on the toilet.

5



Open shut off valve and
check for any leaks.

BIO BIDET® BBC-70

Thank You

Technical support / Customer Service

Bio Bidet
205 Berg ST Algonquin, IL 60102

T : 847.458.2334
U.S TOLL FREE : 877.339.5214

support@biobidet.com
www.biobidet.com