

Item #1001863174
Model #5053-WH

Installation Guide

TV Multimedia Recessed Box

PACKAGE CONTENTS

- A - Recessed Media Box
- B - Snap-in cover plate with conduit/pipe knockouts
- C - Flexible pass-through accessory plate
- D - 6-port keystone accessory plate
- E - Blank accessory plate

TOOLS NEEDED

- Drywall saw
- Stud Finder
- Level
- #2 Phillips screwdriver
- #2 Stubby Phillips Screwdriver
- Pencil
- Tape

TOOLS NEEDED (Not included)

- 15 Amp electrical receptacle

CAUTION Before installing this product, be sure the electrical power is off at the circuit breaker or remove fuse(s).

For video information visit homedepot.com and search SKU 1001863174 or model number 5053-WH

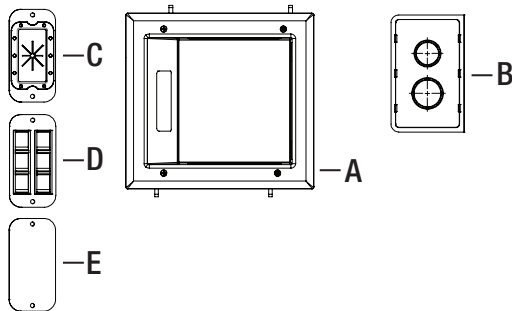


Installation



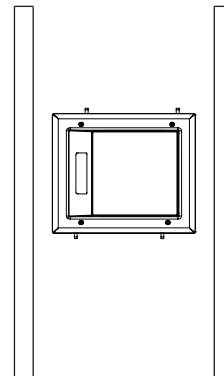
1 ATTACHING THE DESIRED ACCESSORY PLATES

- Attach the desired accessory plates (included) inside the box with the included screws. Use #2 stubby Phillips screwdriver to install these plates. Note: If you will be running tubing to this box, choose the cutout size that best suits your needs and cut the snap-in plate to make the pass-through.



2 DETERMINE THE TV MULTIMEDIA RECESSED BOX LOCATION

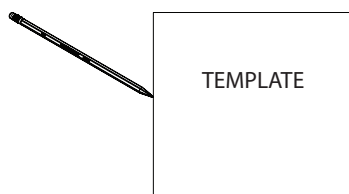
- Use the stud finder to center between the wall framing studs.
- Be sure to frame your plate both vertically and horizontally.



*This product is designed for standard 2x4 framed walls. If your wall does not have the standard 3.5" spacing between the drywall you will need to use a kit that mounts on the front of the wall.

3 PREPARING THE WALL FOR INSTALLATION

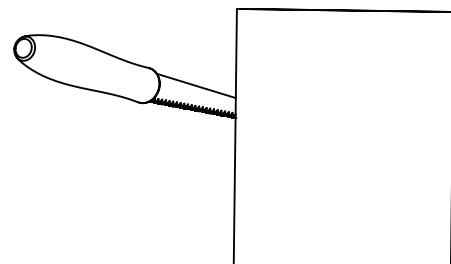
- Using the template supplied, trace the opening for the plate on the wall. Remember, the plate is designed to be mounted centered between the studs.

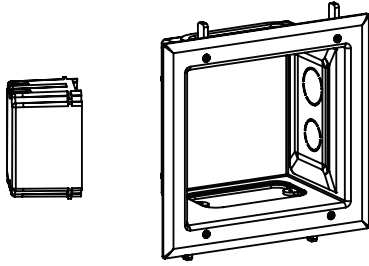


TIP: Loop a piece of tape with the sticky side outward to form a circle and apply it to the back of the template to secure it to the wall.

4 CUT DRYWALL FOR PLATE

- Using a drywall saw, cut a hole in the drywall the size of the template.





Commercial Electric™

Item #1001863174
Model #5053-WH

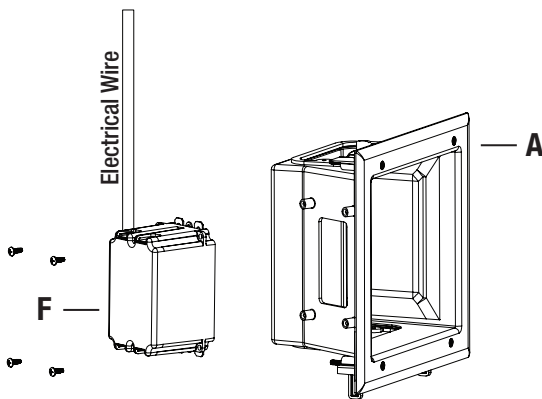
Installation Guide

TV Multimedia Recessed Box

Installation Continued

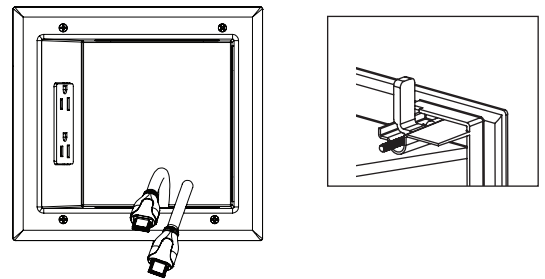
5 CONNECTING THE RECEPTACLE (NOT INCLUDED)

- Run the source of power to the included old work electrical box by pushing in one of the tabs to create an opening. Be sure to follow all local electrical codes. Wire an electrical receptacle (not included) to the old work electrical box and secure the electrical box to the posts on the back of the multimedia box using the included screws.



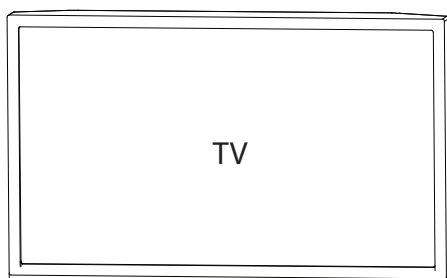
6 INSTALLING THE MULTIMEDIA BOX

- Before installing the Multimedia Box into the template opening, make sure to pull your low voltage cables through the low voltage cable opening.
- Starting with the receptacle side of the Multimedia Box, slowly slide it into the opening on the wall. Swing the opposite side of the Multimedia Box into position until the entire Multimedia Box is flush with the wall. Secure the screws with wings; these fasten tightly against the back of the drywall.



7 HANG TV AND ENJOY

- Your new Multimedia Box is now installed and ready for the TV mount to be installed. Install your TV mount bracket (not included) per the TV bracket manufacturer's instructions.



Safety Information

Please read all instructions and safety information before use. Retain this manual for future reference.



CAUTION: When using tools always follow the manufacturer's safety guidelines.



Item #1001863174
Model #5053-WH
Templates

7-5/16"

7-1/8"

TEMPLATE
ACTUAL SIZE

CUT ALONG DOTTED LINE ✂