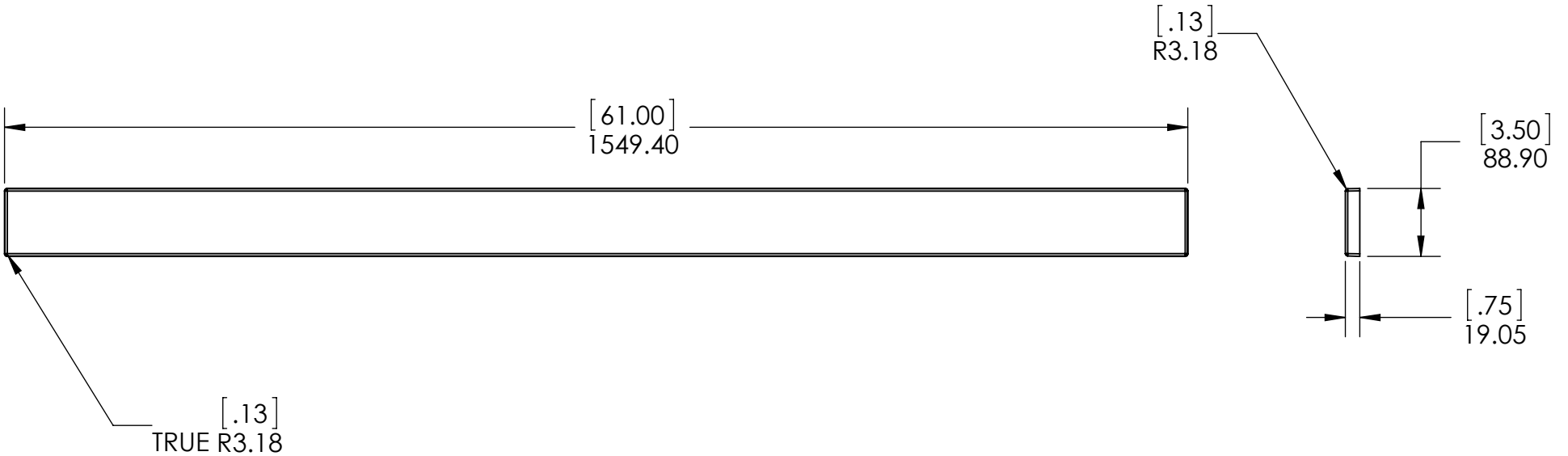


Rev #	Approved by	Change
0	R. Rubio	Released



**PROPRIETARY AND CONFIDENTIAL**  
 THE INFORMATION CONTAINED IN THIS DRAWING IS THE SOLE PROPERTY OF WOODCRAFTERS. ANY REPRODUCTION IN PART OR AS A WHOLE WITHOUT THE WRITTEN PERMISSION OF WOODCRAFTERS IS PROHIBITED.

UNLESS OTHERWISE SPECIFIED  
 DIMENSIONS ARE IN MM. AND (INCHES)  
 TOLERANCES ARE  
 + 0.125 [3.175] - 0.125 [-3.175]  
 SCALE: 1: 8

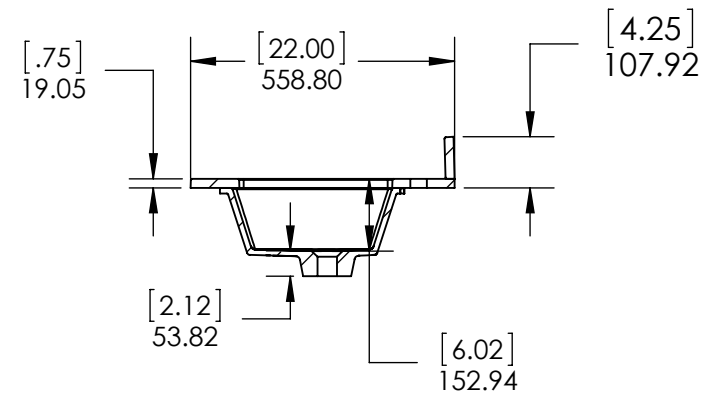
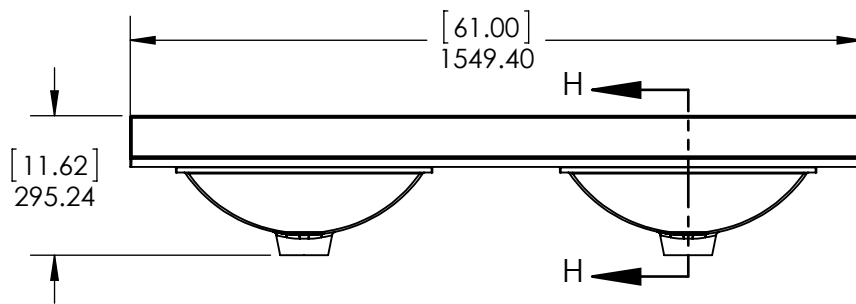
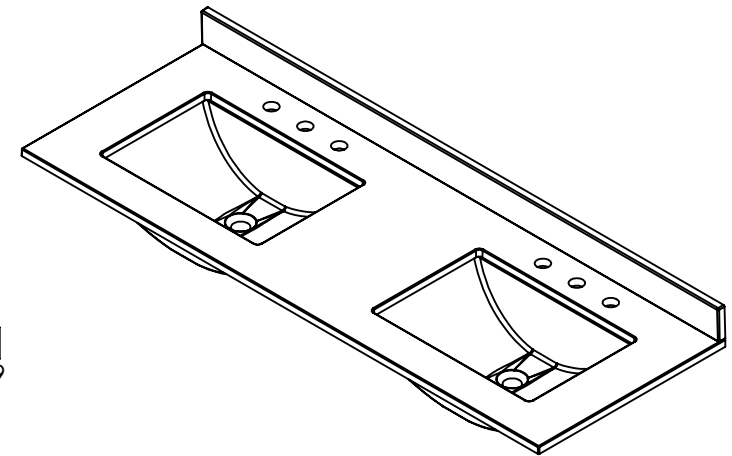
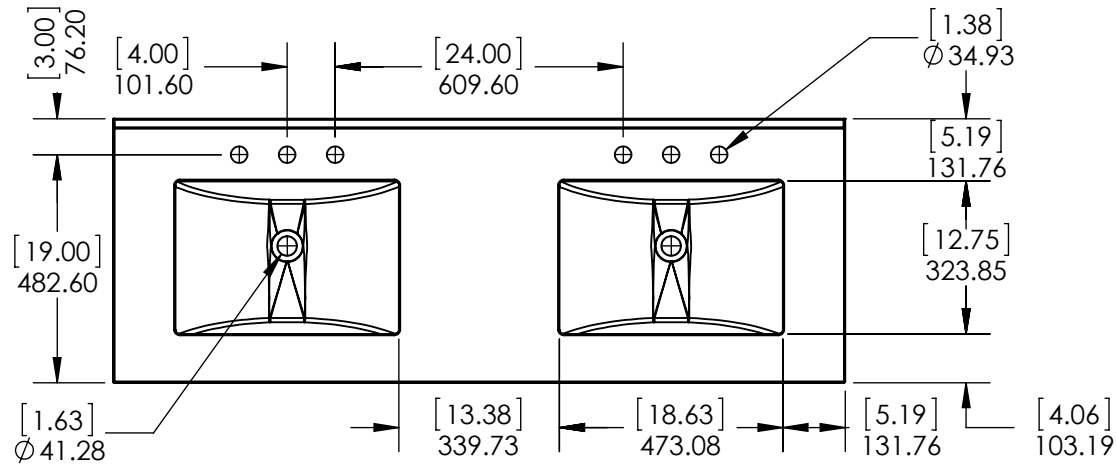
	NAME	DATE
DRAWN	J. Martinez	08/12/16
CHECKED	E. Sandoval	08/12/16
ENG APPR.	R. Rubio	08/12/16
MFG APPR.	C. Leal	08/12/16

**Wood Crafters**

SIZE DWG. NO. **A** Backsplash 61x3.5

SHEET 1 OF 2 REV: **0**

Rev #	Approved by	Change
0	R. Rubio	Released
1	R. Rubio	New Model Added



**PROPRIETARY AND CONFIDENTIAL**  
 THE INFORMATION CONTAINED IN THIS DRAWING IS THE SOLE PROPERTY OF WOODCRAFTERS. ANY REPRODUCTION IN PART OR AS A WHOLE WITHOUT THE WRITTEN PERMISSION OF WOODCRAFTERS IS PROHIBITED.

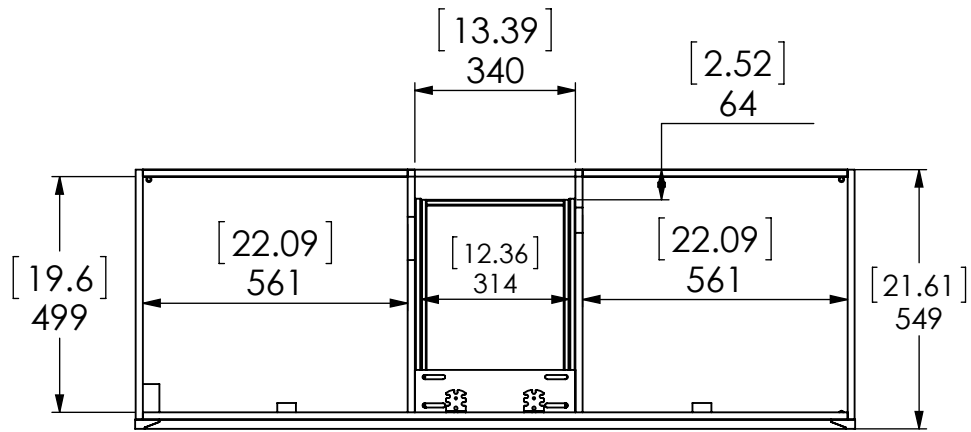
UNLESS OTHERWISE SPECIFIED  
 DIMENSIONS ARE IN MM. AND (INCHES)  
 TOLERANCES ARE  
 +0.125 [3.175] -0.125 [-3.175]  
 SCALE:1:16

	NAME	DATE
DRAWN	O. Razo	09/18/17
CHECKED	R. Rubio	09/18/17
ENG APPR.	R. Rubio	09/18/17
MFG APPR.	C. Leal	09/18/17

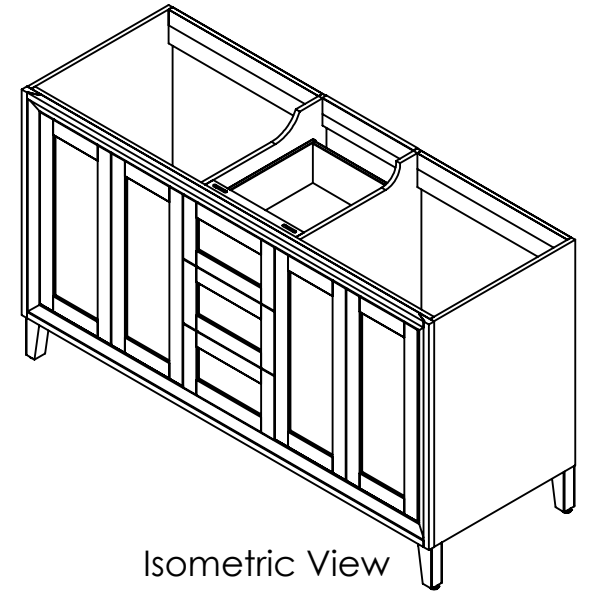
**Wood Crafters**

SIZE DWG. NO. **A** Shark Tank 61x22 Rect

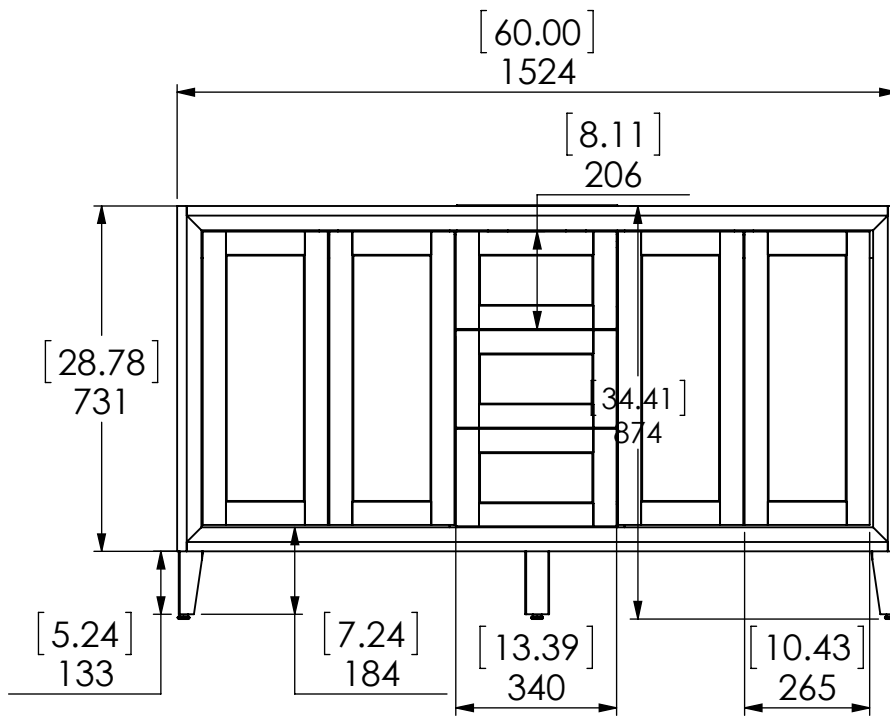
SHEET 1 OF 2  
REV. **1**



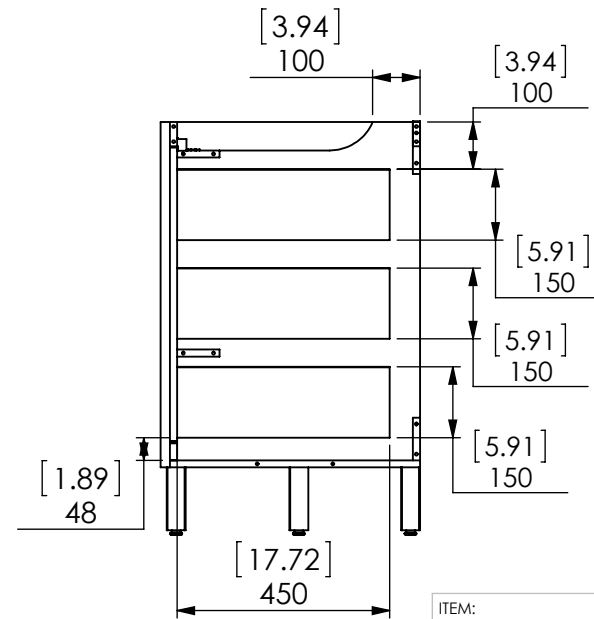
Top View



Isometric View



Front View



Side View



ITEM: **AU60-BL/GP** REV **A**

NAME: **Austell Vanity 60in**

DWR	ARB	04/12/18	MATERIAL:
REV	R&D	04/12/18	<b>Plywood 15mm</b>
APP	ING	04/12/18	
ESCALA: 1:20	MODEL:	<b>Austell Vanity 60 in</b>	