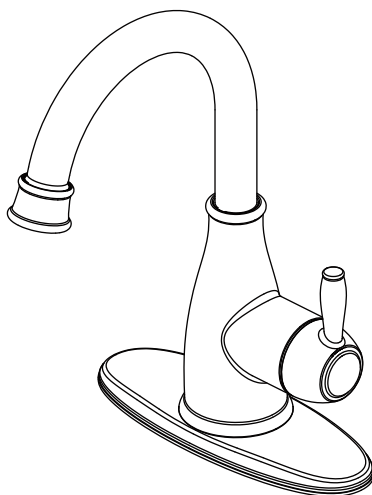


# INSTALLATION AND CARE GUIDE

---

## MANDOURI TOUCHLESS SINGLE-HANDLE BATHROOM FAUCET



### Questions, problems, missing parts?

Before returning to the store, call Glacier Bay Customer Service

8 a.m. - 7 p.m., EST, Monday - Friday

9 a.m. - 6 p.m., EST, Saturday

1-855-HD-GLACIER (1-855-434-5224)

[HOMEDEPOT.COM/GLACIERBAY](https://www.homedepot.com/glacierbay)

---

### THANK YOU

*We appreciate the trust and confidence you have placed in Glacier Bay through the purchase of this lavatory faucet. We strive to continually create quality products designed to enhance your home. Visit us online to see our full line of products available for your home improvement needs. Thank you for choosing Glacier Bay!*

# Table of Contents

|                                    |   |                                |    |
|------------------------------------|---|--------------------------------|----|
| <b>Important Information</b> ..... | 2 | <b>Installation</b> .....      | 4  |
| <b>Warranty</b> .....              | 2 | <b>Operation</b> .....         | 12 |
| <b>Pre-Installation</b> .....      | 2 | <b>Care and Cleaning</b> ..... | 13 |
| Planning Installation .....        | 2 | <b>Troubleshooting</b> .....   | 14 |
| Tools and Hardware Required .....  | 2 | <b>Service Parts</b> .....     | 16 |
| Package Contents .....             | 3 |                                |    |

## Important Information

- Observe all local plumbing and building codes.
- Cover the sink drain to avoid losing any parts.
- Review the care and cleaning section included in this guide.

## Warranty

### LIMITED LIFETIME WARRANTY

Glacier Bay products are manufactured with superior quality standards and workmanship and are backed by our limited lifetime warranty. Glacier Bay products are warranted to the original consumer purchaser to be free of defects in materials or workmanship. We will replace FREE OF CHARGE any product or parts that proves defective. Sensor mechanism excluded from Limited Lifetime Warranty and is covered by a 3-year warranty from date of purchase. Simply, return the product / part to any of The Home Depot retail locations or call 1-855-HD-GLACIER (1-855-434-5224) to receive the replacement item. Proof of purchase (original sales receipt) from the original consumer purchaser must be made available for all Glacier Bay warranty claims.

This warranty excludes incidental/inconsequential damages and failures due to misuse, abuse or normal wear and tear. This warranty excludes all industrial, commercial and business usage, whose purchasers are hereby extended a five year limited warranty from the date of purchase, with all other terms of this warranty applying except the duration of warranty.

Some states and provinces do not allow the exclusion or limitation of incidental or consequential damages, so the above limitations may not apply to you. This warranty gives you specific legal rights and you may also have other rights that vary from state to state and province to province. Please see a store or contact 1-855-HD-GLACIER for more details.

Contact the Customer Service Team at 1-855-434-5224 or visit [www.HomeDepot.com](http://www.HomeDepot.com).

## Pre-Installation

### PLANNING INSTALLATION

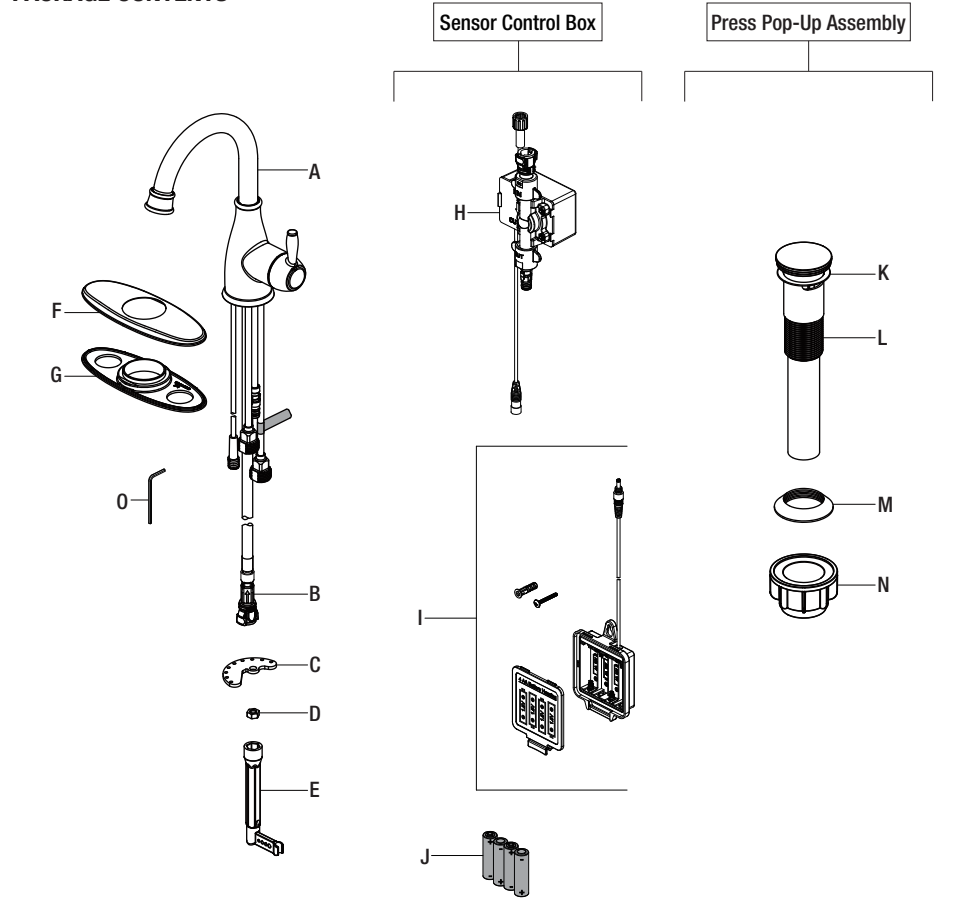
Before beginning the installation of this product, ensure all parts are present. Compare parts with the Package Contents list. If any part is missing or damaged, do not attempt to install the product. Contact Customer Service for replacement parts.

### TOOLS AND HARDWARE REQUIRED



# Pre-Installation (continued)

## PACKAGE CONTENTS



| Part | Description            | Quantity |
|------|------------------------|----------|
| A    | Faucet                 | 1        |
| B    | Quick connect assembly | 1        |
| C    | Washer                 | 1        |
| D    | Lock nut               | 1        |
| E    | Wrench                 | 1        |
| F    | Deck plate             | 1        |
| G    | Gasket                 | 1        |

| Part | Description        | Quantity |
|------|--------------------|----------|
| H    | Sensor control box | 1        |
| I    | Battery pack       | 1        |
| J    | "AA" Battery       | 4        |
| K    | Top gasket         | 1        |
| L    | Pop-up body        | 1        |
| M    | Bottom gasket      | 1        |
| N    | Nut                | 1        |
| O    | 2.5mm hex wrench   | 1        |

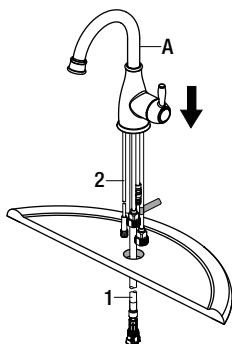
# Installation

## 1 Installing the faucet assembly

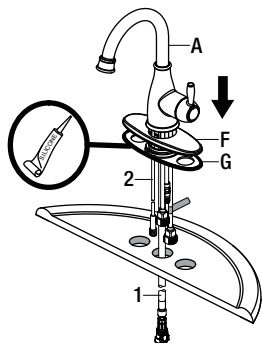


**CAUTION:** Always shut off the water supply before removing an existing faucet or replacing any part of a faucet. Open the faucet handle to relieve water pressure and ensure that the water is completely shut off.

- Shut off the water supply. Remove the old faucet.
- Clean the mounting surface.
- Remove the preassembled lock nut (D) and washer (C) from the new faucet (A).
- **WITH NO DECK PLATE:** Install the faucet body (A)-including inlet tubes, hose (1) and sensor cable (2)-through the hole in the sink.



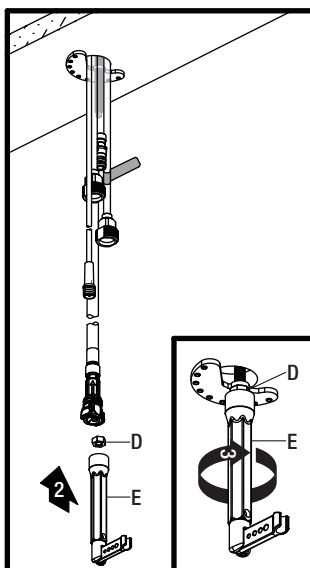
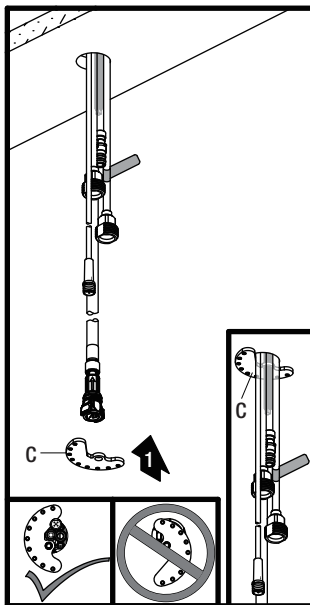
- **WITH DECK PLATE:** Align the holes in the gasket (G) and deck plate (F) with the mounting holes in the sink. Install the faucet body (A)-including inlet tubes, hose (1) and sensor cable (2)-through the middle hole in the deck plate (F).



**NOTE:** Silicone sealant is required under the gasket (G).

## 2 Securing the faucet assembly

- Install the washer (C) onto the threaded bolt.
- Thread the lock nut (D) onto the bolt using the wrench (E) provided to tighten firmly.

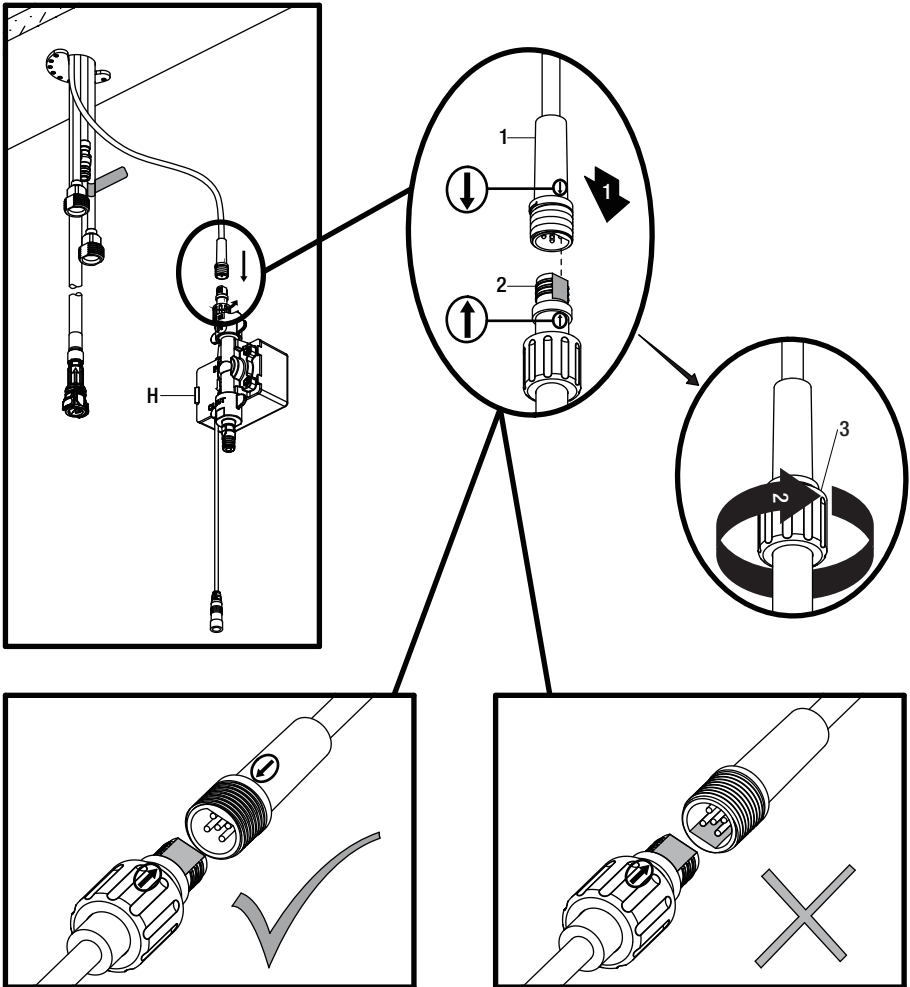


### 3 Installing the sensor cable

- Install the sensor cable (1) to the control box connection (2). Ensure the arrows on the sensor cable and control box connection are aligned to one another to ensure proper installation. Ensure they are tightly connected by firmly pushing together.
- Secure the connection by hand tightening the nut (3) in a clockwise direction onto the threaded sensor cable.



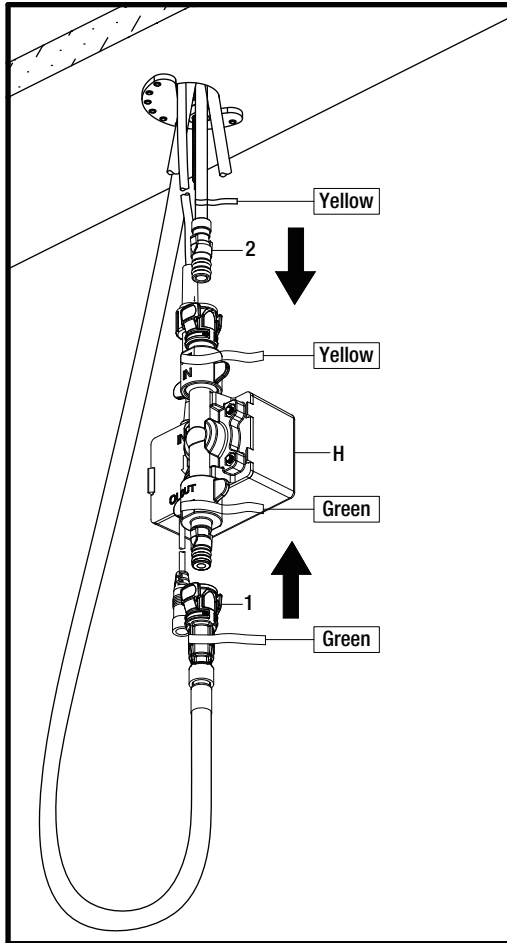
**CAUTION:** If the connections are not made properly, the sensor feature will not work.



### 4 Attaching the quick connector to the receiving block

- Connect the hose with the yellow tag to the hose on the control box (H) with a matching yellow tag. Push firmly together until they snap into place. As shown in the Fig 1.
- Connect the hose with the green tag to the hose on the control box (H) with a matching green tag. Push firmly together until they snap into place. As shown in the Fig 1.

Fig 1



# 5 Installing the batteries

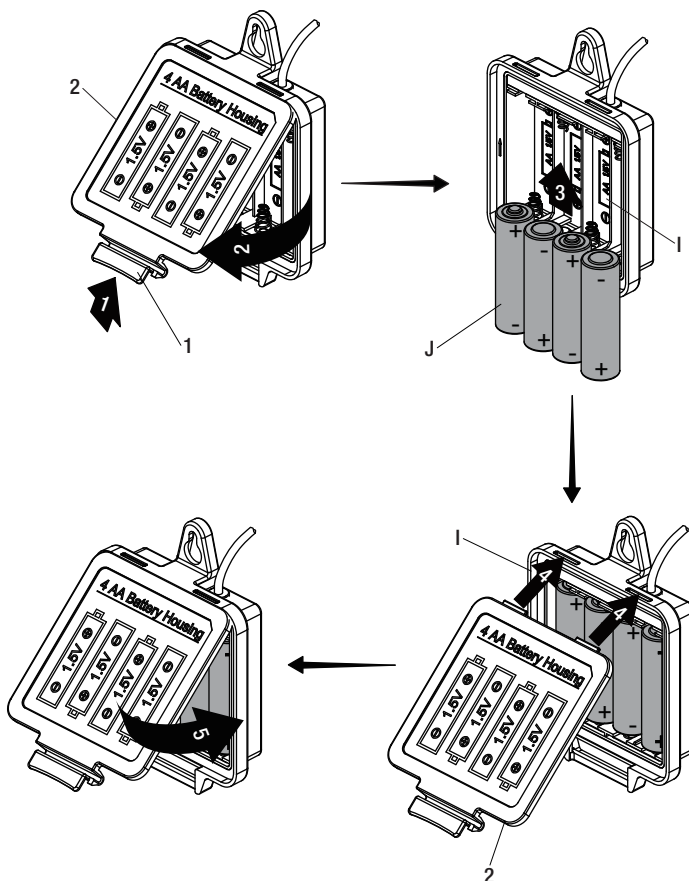


**NOTE:** This step is for battery installation (optional). If the battery will not be used, install as described in step 7.

- To open the battery housing, squeeze the tabs (1) on the cover (2), then remove the cover (2).
- Install the four AA batteries (J) included by matching the positive (+) and Negative (-) ends on the battery (J) to the (+) and (-) markings in the battery pack (I). The negative ends of the battery (J) should always connect to the spring end of the battery slots in the battery pack (I).
- Reinstall the battery pack cover (2) by pushing up and snapping into place.



**NOTE:** When the sensor flashes 10 times continuously and slowly, the batteries have lost their charge. Replace the batteries (J).



# 6 Installation using the battery pack

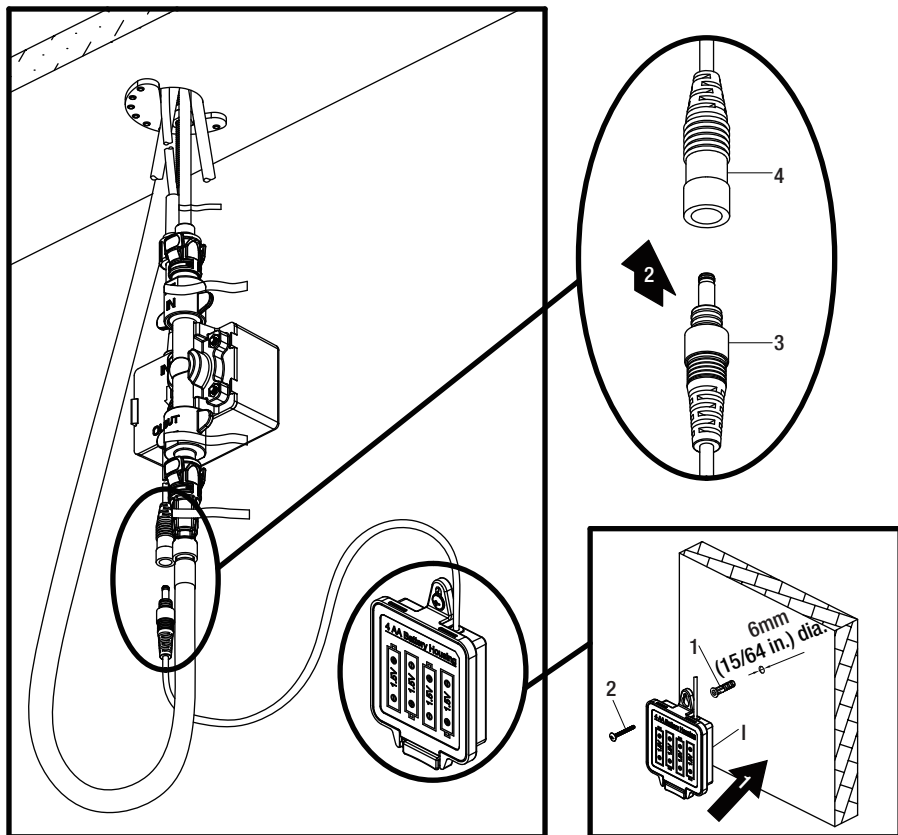


**NOTE:** This step is for battery installation (optional). If the battery will not be used, install as described in step 7.

- Drill a hole in the wall using a 6mm (15/64 in.) diameter drill bit. Install the battery pack (1) using the molly anchor (1) and screw (2) provided.
- Insert the battery pack cable (3) into the control box connection (4).



**NOTE:** After installing the battery pack, the light on the sensor will flash and the faucet control box will make a "click" sound when you move your hand in the sensor area. If not, check to ensure the batteries are installed correctly.





### 7 Installation using the AC adapter (not included)



**NOTE:** This step is for installation without batteries using an AC adapter (not included). If using the batteries, install as instructed in step 5 and skip to step 8. The AC adapter is not included with the product, but can be purchased from [Homedepot.com](http://Homedepot.com).

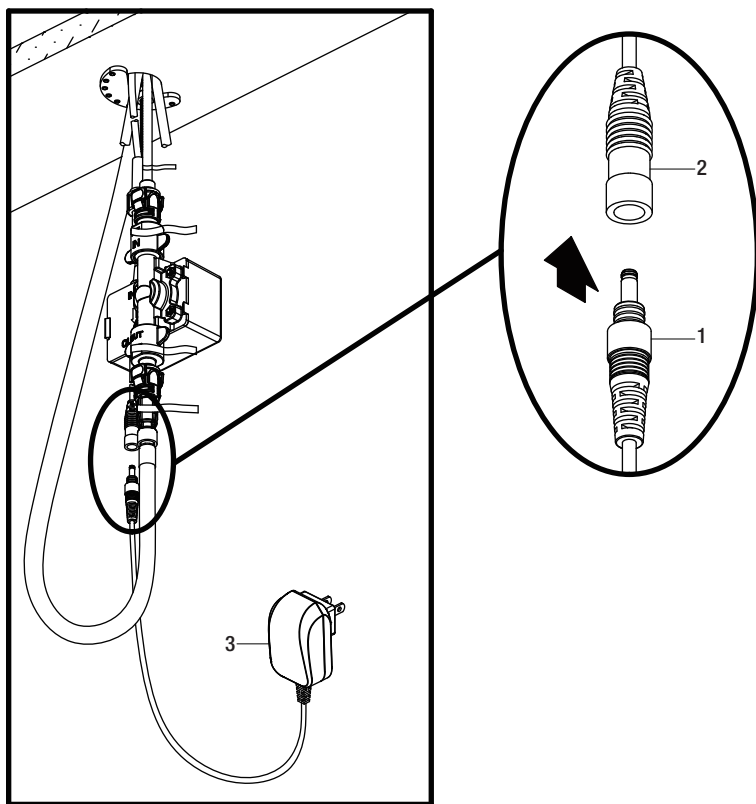
- Insert the AC adapter cable (1) into the control box port (2).
- Install the AC adapter (3) into the power outlet.



**NOTE:** After installing the AC adapter, the light on the sensor will flash and the faucet control box will make a "click" sound when you move your hand in the sensor area. If not, check if the connections are made properly.



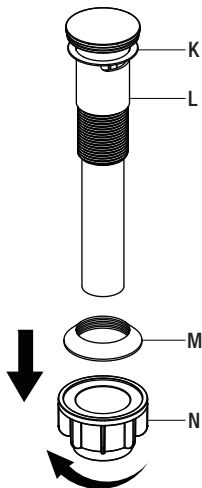
**NOTE:** If the electricity in the house should suddenly go off when the faucet is on and the water fails to stop running, you may turn off the supply valves or replace the AC adaptor with the battery pack (I) provided.



## Installation (continued)

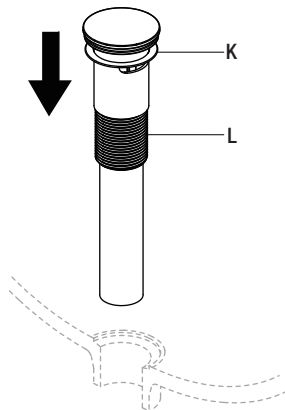
### 8 Preparing the pop-up assembly

- Remove the bottom gasket (M) and nut (N) from the top gasket (K) and pop-up body (L).
- Remove these pieces by pushing the bottom gasket (M) down into the top of the nut (N) and twisting together.



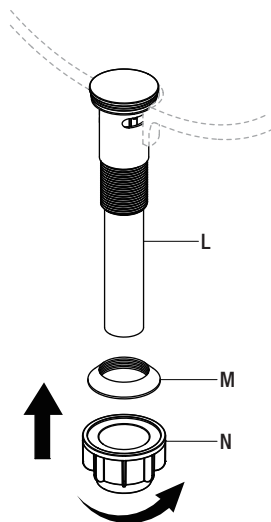
### 9 Installing the pop-up body

- Insert the pop-up body (L) into the sink. Ensure that the top gasket (K) rests securely between the top of the sink and the top of the pop-up body (L).



### 10 Securing the pop-up body

- From underneath the sink, screw the bottom gasket (M) and nut (N) assembly onto the pop-up body (L) by twisting clockwise until secure.



# 11 Making the water supply connections

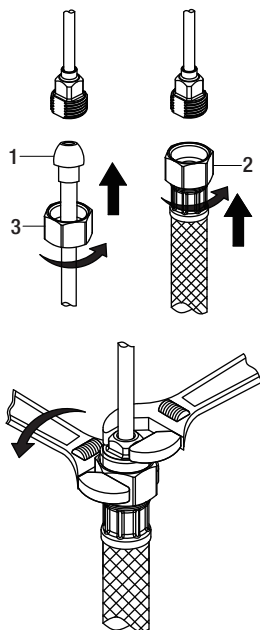


**NOTE:** The hot side inlet tube is indicated by a label. If the label is not present, the hot supply tube is the longer of the two inlet tubes.

- Use 1/2 in. I.P.S. faucet connections (2), or use supply line coupling nuts (3) (not included) with a 3/8 in. O.D. ball-nose riser (1).

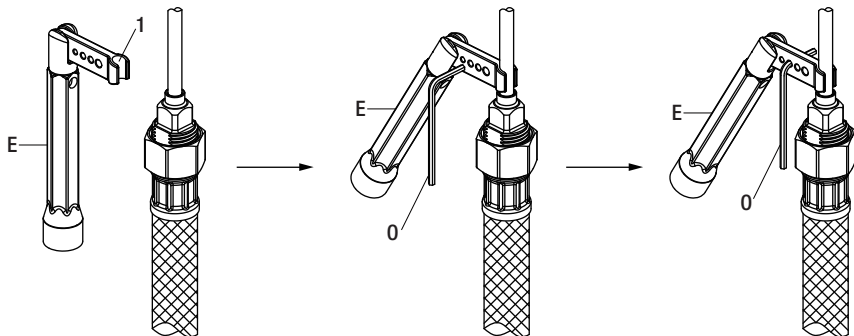


**NOTE:** Before tightening the faucet connector to the water supply, apply a second wrench to the supply tube fitting. This will prevent the supply tube from moving or twisting when tightening the faucet connector. Do not overtighten.



# 12 Storing the wrench tool

- After installation is complete, store the wrench (E) and Hex wrench (Hex: 2.5mm, O) provided for use conveniently next time.
- Place the slot (1) of the wrench (E) onto the copper tube, then choose the appropriate hole of the wrench (E) to place the Hex wrench (Hex: 2.5mm, O).



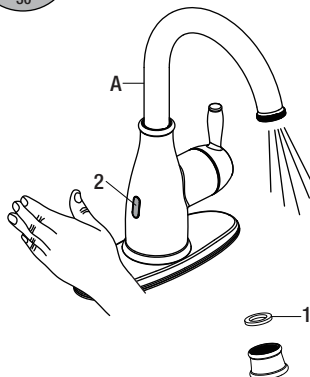
## Operation

# 1 Flushing and checking for leaks



**IMPORTANT:** After installation is complete, remove the aerator from the faucet (A) to flush the water lines. Do not lose the gasket (1) in the aerator.

- Turn on the water supply to check for leaks. If you discover any leaks, check your connections to ensure they are installed properly.
- Turn the water on by activating the sensor (2) by waving your hand and allow both hot and cold water to run for at least one minute each. This flushes away any debris that could cause damage to internal parts.
- Turn off the water and reinstall the aerator.

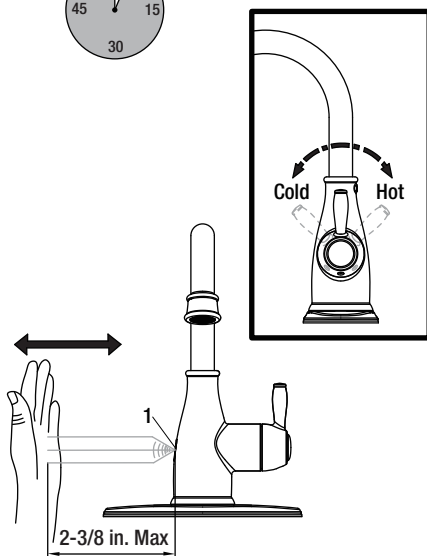


# 2 Operating the sensor



**NOTE:** The handle only controls the water temperature. Turn the water on and off with the wave of your hand.

- Turn the water on by activating the sensor (1) by waving your hand within 2-3/8 inches of the sensor. When activating the sensor (1) by waving your hand within 2-3/8 inches of the sensor again, the water will turn off.
- Pulling the handle towards yourself will turn the water to cold. Pushing the handle away from yourself will turn the water to hot.
- If you are having trouble with the sensor, please refer to the troubleshooting section.

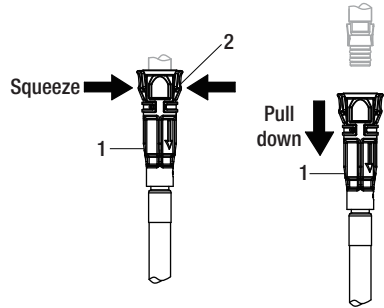


**NOTE:** As a water saving feature, the water will turn off automatically after 3 minutes of continuous flow.

## Operation (continued)

### 3 Removing the quick connector (not required)

- If it is necessary to remove the quick connector (1), squeeze the tabs (2) on the quick connector and then pull down to disconnect.



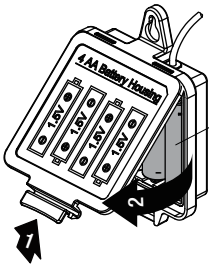
## Care and Cleaning

- To clean, wipe down with a damp cloth and dry with a towel.
- Do not use abrasive cleaners, steel wool, or harsh chemicals when cleaning this faucet, or the warranty will be voided.

# Troubleshooting

## 1 The light on the sensor is flashing continuously

- Turn on the water supply and activate the sensor. If the sensor flashes 10 times continuously and slowly, then replace the 4 "AA" batteries.



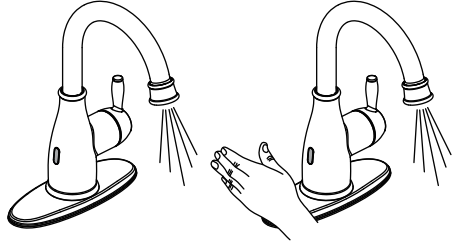
J Replace the batteries

## 2 The sensor is not activating the water flow

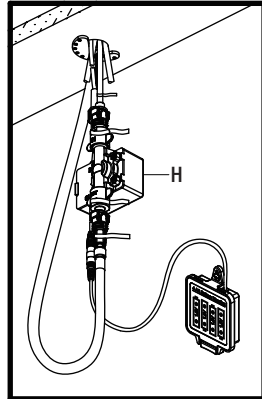
- If your water does not turn on by waving your hand in front of the sensor.



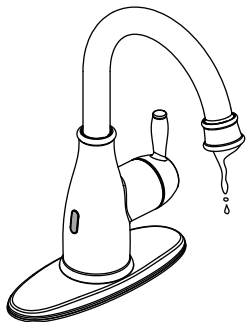
- Or if you are unable to turn your water off by waving your hand in front of the sensor.



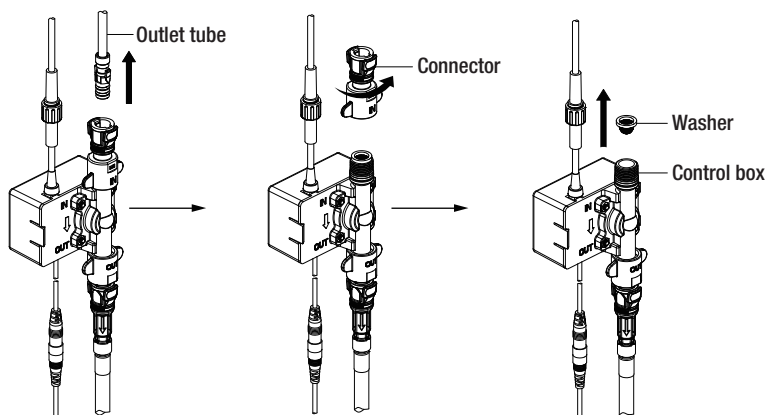
- This indicates the sensor window may need to be cleaned. If the sensor window is clean, and still not functioning, this means the control box will need to be replaced. Call Glacier Bay customer service to request a replacement control box. Replace the old control box with the new control box.



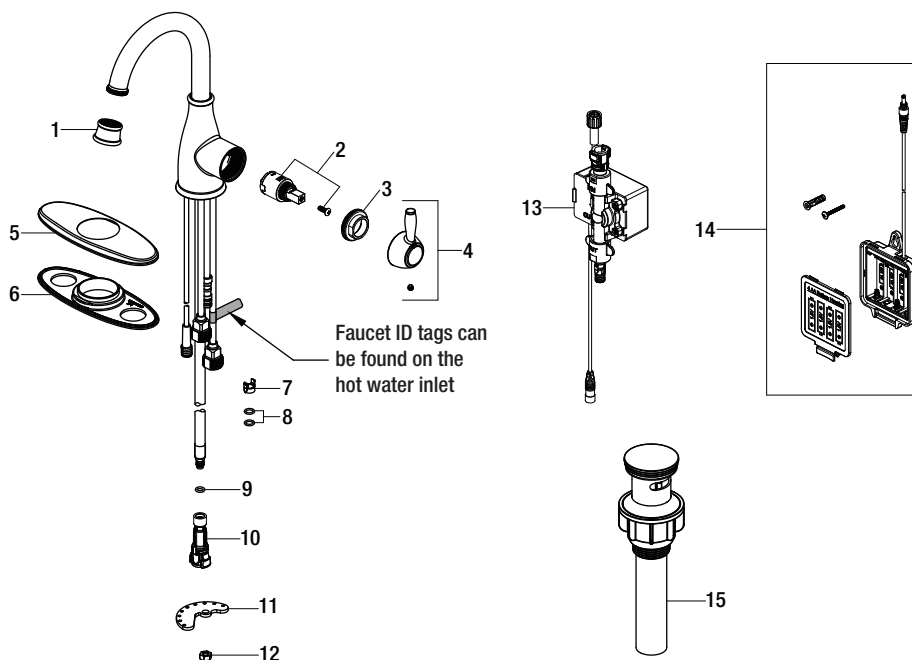
### 3 There is a low flow of water



- This could indicate that the washer in the "in" end of the control box is dirty or damaged. Remove the outlet tube and unscrew the connector. Take out the washer from the control box. Clear the washer or replace the washer. Reassemble the connector and outlet tube.



# Service Parts



| Part | Description       | Part Number |
|------|-------------------|-------------|
| 1    | Aerator           | RP30283*    |
| 2    | Cartridge & Screw | RP20117     |
| 3    | Bonnet nut        | RP70682     |
| 4    | Handle assembly   | RP13686*    |
| 5    | Deck plate        | RP80702*    |
| 6    | Gasket            | RP80703     |
| 7    | Block             | RP70421     |
| 8    | O-ring            | RP60002     |
| 9    | O-ring            | RP60022     |

| Part | Description            | Part Number |
|------|------------------------|-------------|
| 10   | Quick connect assembly | RP70683     |
| 11   | Washer                 | RP64246     |
| 12   | Lock nut               | RP56033     |
| 13   | Sensor control box     | RP70708     |
| 14   | Battery pack           | RP70707     |
| 15   | Press pop-up assembly  | RP40305*    |

\*Specify Finish

Many replacement cartridges, aerators, and drain assemblies can be purchased at your local The Home Depot store or online at [HOMEDEPOT.COM](http://HOMEDEPOT.COM)





**Questions, problems, missing parts?**

Before returning to the store, call Glacier Bay Customer Service

8 a.m. - 7 p.m., EST, Monday - Friday

9 a.m. - 6 p.m., EST, Saturday

1-855-HD-GLACIER (1-855-434-5224)

[HOMEDEPOT.COM/GLACIERBAY](https://www.homedepot.com/glacierbay)

Retain this manual for future use.

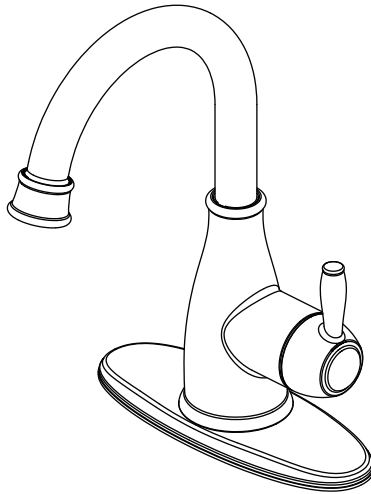


|                |            |
|----------------|------------|
| Modelo núm.    | SKU núm.   |
| HD67685W-5004  | 1004021304 |
| HD67685W-5001  | 308474452  |
| HD67685W-5027D | 308474453  |

# GUÍA DE USO Y MANTENIMIENTO

---

## MANDOURI MEZCLADORA PARA BAÑO, CON UN SOLO MANERAL Y ACTIVACIÓN SIN TOCARLA



¿Problemas, preguntas o piezas faltantes?

Antes de regresar a la tienda, llama al servicio al cliente de Glacier Bay de lunes a viernes entre 8 a.m. y 7 p.m. y los sábados entre 9 a.m. y 6 p.m. (hora estándar del Este)

1-855-HD-GLACIER (1-855-434-5224)

[HOMEDEPOT.COM/GLACIERBAY](http://HOMEDEPOT.COM/GLACIERBAY)

---

### GRACIAS

*Agradecemos la confianza que has depositado en Glacier Bay al comprar este grifo para lavamanos. Nos esforzamos por crear continuamente productos de calidad diseñados para mejorar tu hogar. Visítanos en Internet para ver nuestra línea completa de productos disponibles para las necesidades de mejoras de tu hogar. ¡Gracias por elegir a Glacier Bay!*

## Tabla de contenido

|  |    |                            |    |
|--|----|----------------------------|----|
| Información importante .....           | 19 | Instalación .....          | 21 |
| Garantía.....                          | 19 | Funcionamiento .....       | 29 |
| Pre-instalación .....                  | 19 | Cuidado y limpieza .....   | 30 |
| Planificación de la instalación .....  | 19 | Solución de problemas..... | 31 |
| Herramientas y herrajes necesarios.... | 19 | Piezas de repuesto .....   | 33 |
| Contenido del paquete .....            | 20 |                            |    |

## Información importante

- Cumple con todos los códigos locales de construcción y de plomería.
- Cubre el drenaje del lavabo para evitar que se pierda alguna pieza.
- Consulta la sección de mantenimiento y limpieza incluida en esta guía.

## Garantía

### GARANTÍA DE POR VIDA LIMITADA

Los productos de Glacier Bay están fabricados con normas y mano de obra de calidad superior y están respaldados por nuestra garantía de por vida limitada. Los productos de Glacier Bay están garantizados al comprador consumidor original de estar libres de defectos en materiales o mano de obra. Reemplazaremos LIBRE DE CARGOS cualquier producto o pieza que se demuestre está defectuosa. El mecanismo del sensor se excluye de la garantía limitada de por vida y queda cubierto por otra de 3 años a partir de la fecha de compra. Simplemente, devuelva el producto a cualquiera de las ubicaciones de venta al detalle de The Home Depot o llame al 1-855-HD-GLACIER (1-855-434-5224) para recibir el artículo de reemplazo. La prueba de compra (recibo de venta original) del comprador consumidor original debe estar disponible para todos los reclamos de garantía de Glacier Bay.

Esta garantía excluye daños y fallos incidentales/consecuenciales debido al mal uso, abuso o desgaste normal por el uso. Esta garantía excluye todos los usos industriales, comerciales y de negocios, a cuyos compradores por la presente, se les ha ampliado una garantía limitada de cinco años a partir de la fecha de compra, con todos los otros artículos de esta garantía que aplican excepto la duración de la garantía.

Algunos estados y provincias no permiten la exclusión o la limitación de los daños incidentales o consecuenciales, por lo tanto, las limitaciones y exclusiones anteriores podrían no aplicar a usted. Esta garantía le otorga derechos legales específicos y también puede tener otros derechos que varían de un estado a otro. Por favor, vaya a una tienda o llame al 1-855-HD-GLACIER para más detalles.

Póngase en contacto con el Equipo de Servicio al Cliente llamando al 1-855-434-5224 o visite [www.HomeDepot.com](http://www.HomeDepot.com).

## Pre-instalación

### PLANIFICACIÓN DE LA INSTALACIÓN

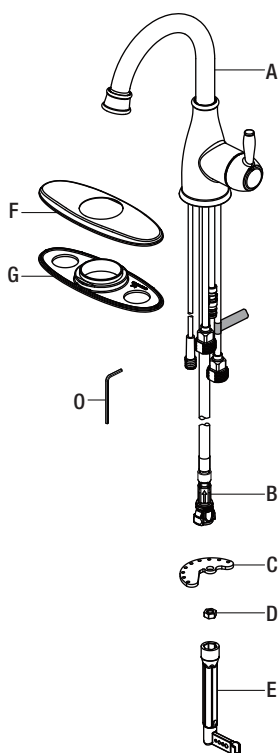
Antes de comenzar la instalación de este producto, asegúrate de que no falta ninguna pieza. Compara las piezas con la lista de Contenido del paquete. Si falta alguna pieza o está dañada, no intentes instalar el producto. Comunícate con el servicio al cliente para piezas de repuesto.

### HERRAMIENTAS Y HERRAJES NECESARIOS

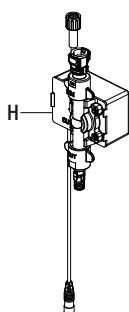


# Pre-instalación (continuación)

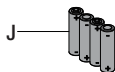
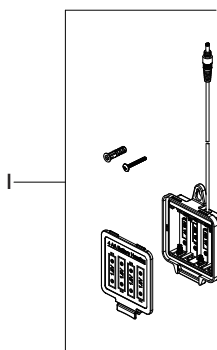
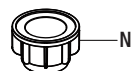
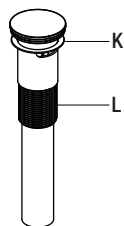
## CONTENIDO DEL PAQUETE



Caja de control del sensor



Presiona el ensamble emergente



| Pieza | Descripción                    | Cantidad |
|-------|--------------------------------|----------|
| A     | Mezcladora                     | 1        |
| B     | Ensamblaje del conector rápido | 1        |
| C     | Arandela                       | 1        |
| D     | Tuerca de bloqueo              | 1        |
| E     | Llave                          | 1        |
| F     | Placa de la cubierta           | 1        |
| G     | Junta                          | 1        |
| H     | Caja de control del sensor     | 1        |

| Pieza | Descripción               | Cantidad |
|-------|---------------------------|----------|
| I     | Paquete de baterías       | 1        |
| J     | Batería "AA"              | 4        |
| K     | Junta superior            | 1        |
| L     | Cuerpo emergente          | 1        |
| M     | Junta inferior            | 1        |
| N     | Tuerca                    | 1        |
| O     | Llave hexagonal de 2.5 mm | 1        |

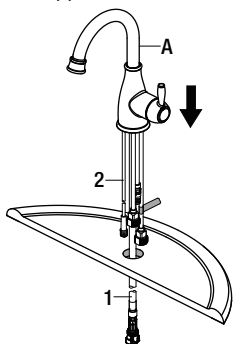
# Instalación

## 1 Cómo instalar el ensamblaje del grifo

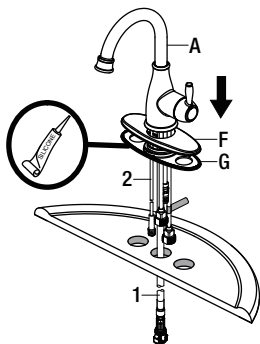


**PRECAUCIÓN:** Cierra siempre el suministro de agua antes de retirar un grifo existente o reemplazar alguna parte del mismo. Abre la llave del grifo para liberar la presión de agua y asegúrate de que el suministro de agua esté completamente cerrado.

- Cierra el suministro de agua. Retira el grifo anterior.
- Limpia la superficie de montaje.
- Retira las contratuerca (D) preensambladas y las arandela (C) del grifo (A) nuevo.
- **SIN PLACA DE CUBIERTA:** Instalar el cuerpo de la mezcladora (A) —incluyendo tuberías de suministro, manguera (1) y cable del sensor (2)— a través del orificio del lavabo.



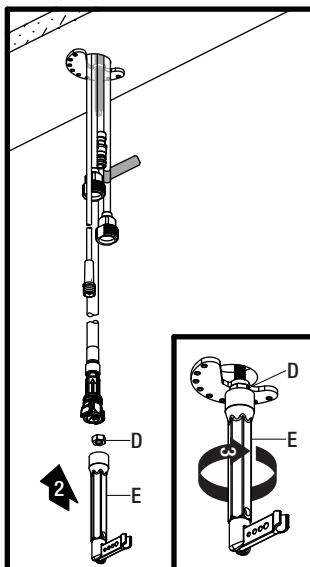
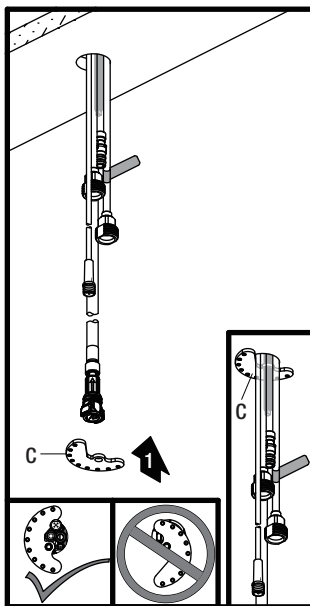
- **CON PLACA DE CUBIERTA:** Alinear los orificios en la junta (G) y placa de cubierta (F) con los orificios de montaje en el lavamanos. Instalar el cuerpo de la mezcladora (A) —incluyendo tuberías de suministro, manguera (1) y cable del sensor (2)— a través del orificio intermedio en la placa de cubierta (F).



**NOTA:** Se requiere aplicar silicona debajo de la junta (G).

## 2 Cómo fijar el ensamblaje del grifo

- Instalar la arandela (C) en el perno roscado.
- Enroscar la tuerca de bloqueo (D) en el perno usando la llave (E) incluida para apretar firmemente.

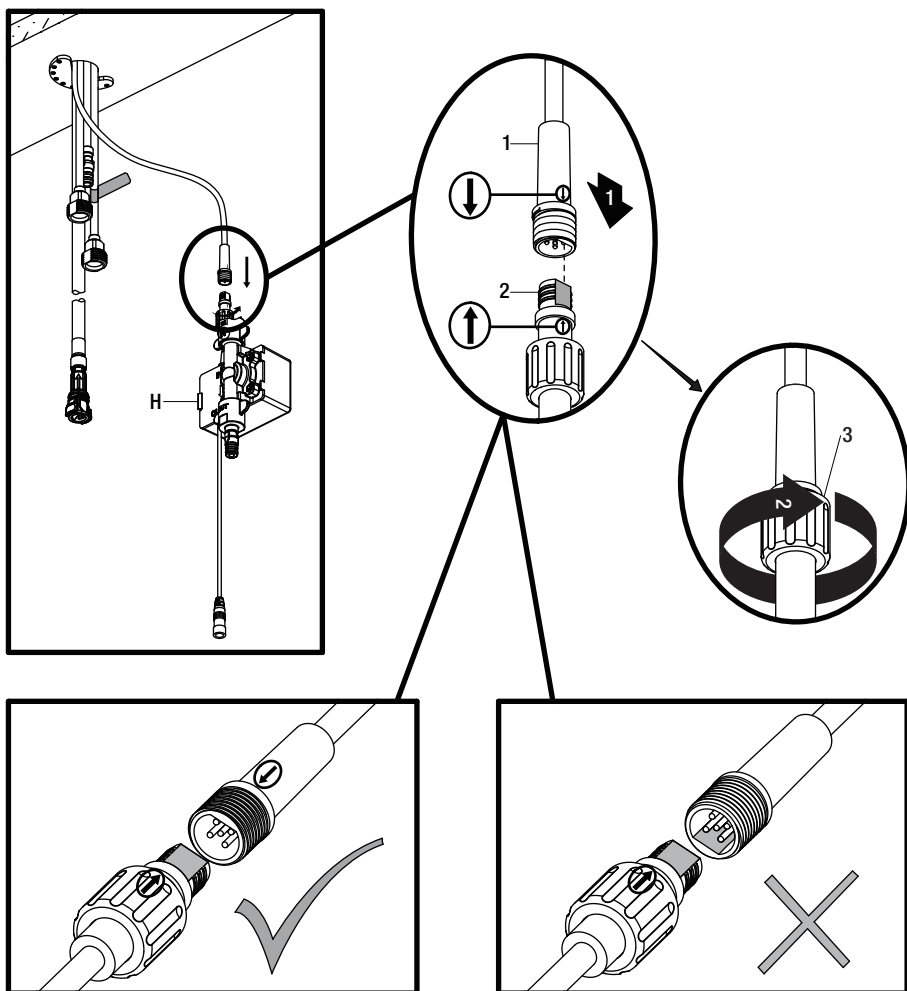


### 3 Cómo instalar el cable del sensor

- Instalar el cable sensor (1) a la conexión de la caja de control (2). Asegurar que las flechas en el cable del sensor y la conexión de la caja de control queden alineadas una con otra para garantizar instalación adecuada. Para asegurarte de que estén bien conectados, únelos con firmeza.
- Asegura la conexión ajustando, a mano y y hacia la derecha, la tuerca (3) sobre el cable del sensor roscado.



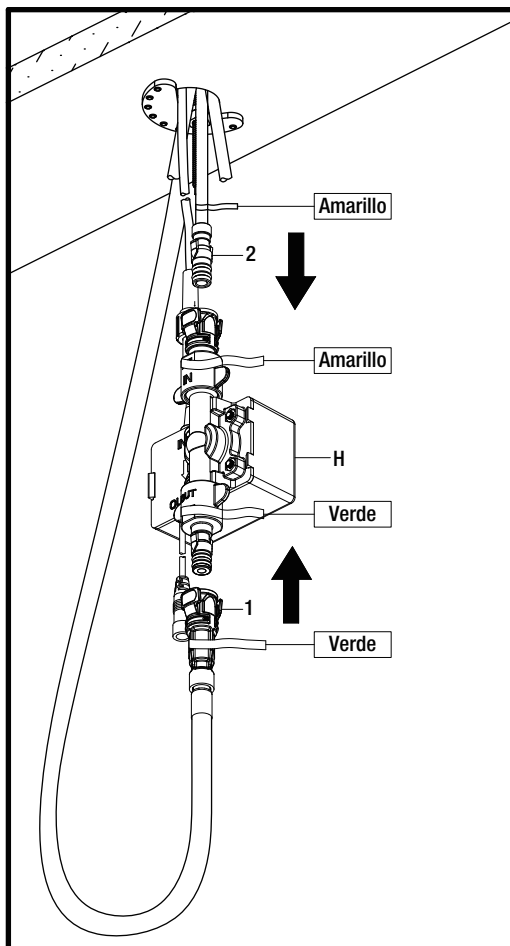
**PRECAUCIÓN:** Si las conexiones no se realizan adecuadamente, el sensor no funcionará.



### 4 Cómo montar el conector rápido al bloque receptor

- Conecta la manguera con la etiqueta amarilla con la manguera de la caja de control (H) que tiene una etiqueta amarilla similar. Únelas con firmeza hasta que encajen en su lugar. Como se muestra en la Fig. 1.
- Conecta la manguera con la etiqueta verde con la manguera de la caja de control (H) que tiene una etiqueta verde similar. Únelas con firmeza hasta que encajen en su lugar. Como se muestra en la Fig. 1.

Fig. 1



## 5 Cómo instalar las baterías

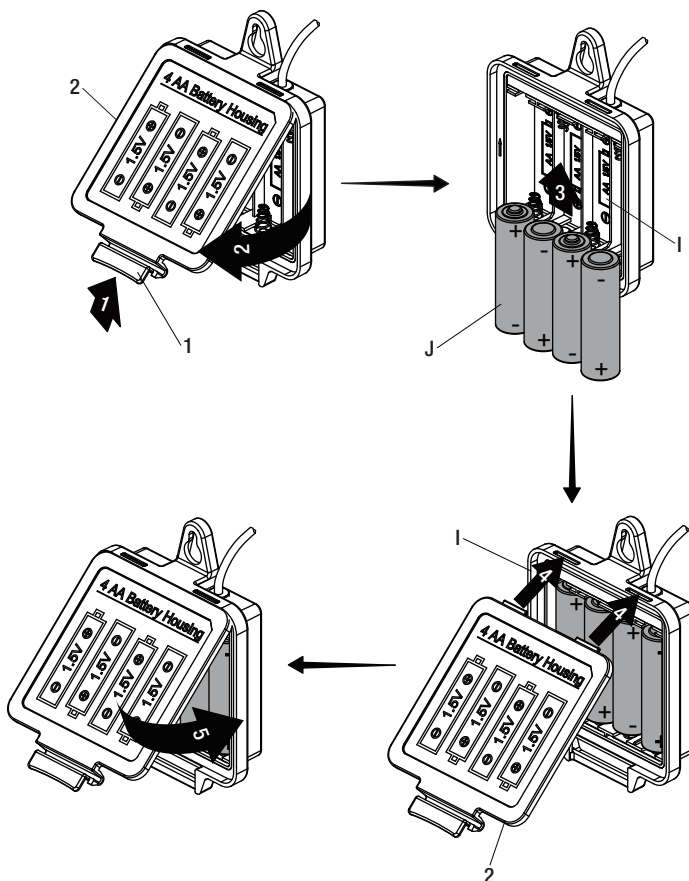


**NOTA:** Este paso es para la instalación con baterías (opcional). Si no usas baterías, realiza la instalación como se describe en el paso 7.

- Para abrir la carcasa de la batería, aprieta las lengüetas (1) de la cubierta (2) y retira esta última (2).
- Instala las cuatro baterías AA (J) incluidas uniendo los extremos positivo (+) y negativo (-) de la batería (J) con las marcas (+) y (-) del paquete de baterías (I). Los extremos negativos de la batería (J) deben conectarse siempre con el extremo con resorte en los espacios para baterías del paquete de baterías (I).
- Presiona la cubierta del paquete de las baterías (2) hacia arriba para que encaje en su lugar.



**NOTA:** Cuando el sensor parpadea 10 veces de forma lenta y constante, significa que las baterías están descargadas. Reemplaza las baterías (J).





## Instalación (continuación)

### 6 Instalación usando las baterías

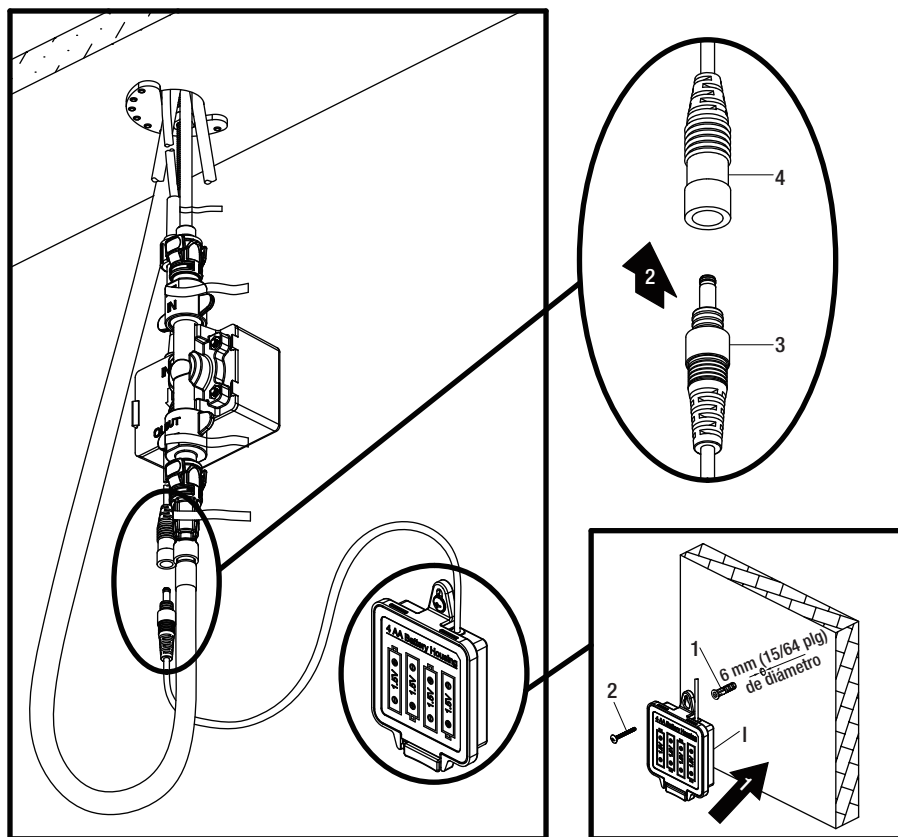


**NOTA:** Este paso es para la instalación con baterías (opcional). Si no usas baterías, realiza la instalación como se describe en el paso 7.

- Taladra un orificio en la pared con una broca de taladro de 6 mm (15/64 plg) de diámetro. Instala la batería (1) usando el anclaje molly (1) y tornillos (2) incluidos.
- Inserta el cable del paquete de las baterías (3) en la conexión de la caja de control (4).



**NOTA:** Después de instalar el paquete de baterías, la luz del sensor parpadeará y la caja de control de la mezcladora emitirá un sonido "clic" al moverse la mano en el área del sensor. Si esto no sucede, verifica para asegurar que las baterías estén instaladas correctamente.



## Instalación (continuación)

### 7 Instalación usando el Adaptador CA (no incluido)



**NOTA:** Este paso es para la instalación sin baterías usando un adaptador CA (no incluido). Si usas las baterías, instala como se indica en el paso 5 y salta al paso 8. El adaptador de CA no está incluido en el producto, pero puede comprarse en [Homedepot.com](http://Homedepot.com).

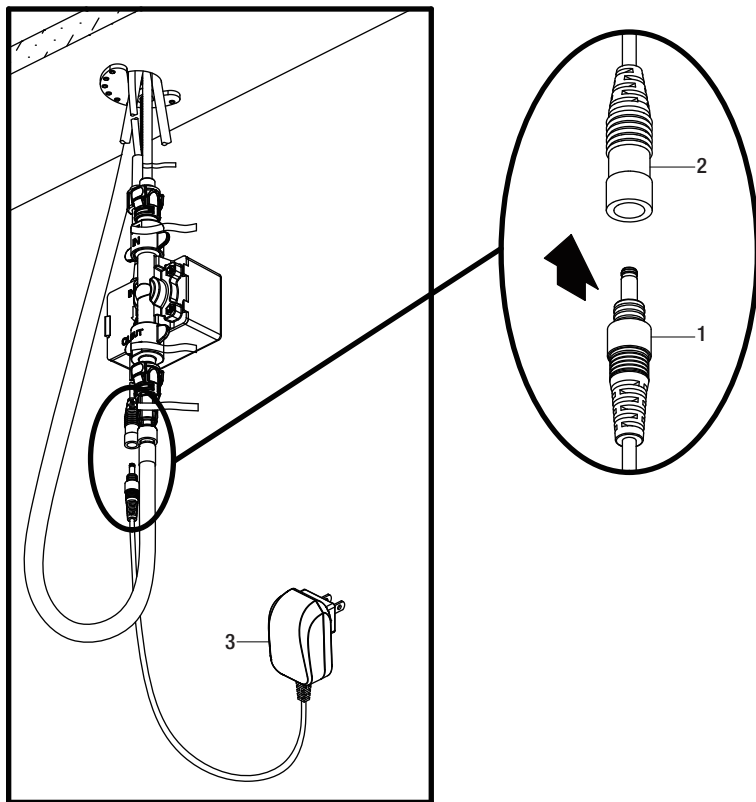
- Inserta el cable adaptador de CA (1) en el puerto de la caja de control (2).
- Enchufa el adaptador de CA (3) en el tomacorriente.



**NOTA:** Después de instalar el adaptador de CA, la luz del sensor parpadeará y la caja de control de la mezcladora emitirá un sonido "clic" al moverse la mano en el área del sensor. Si esto no sucede, verifica que las conexiones estén bien hechas.



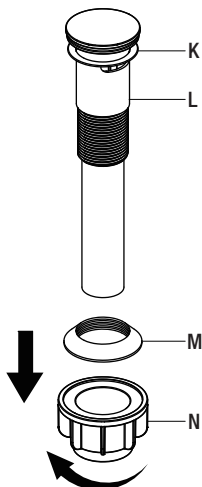
**NOTA:** Si de repente se va la electricidad en el hogar cuando la mezcladora esté activa y el agua no deja de seguir corriendo, se pueden cerrar las válvulas de suministro o reemplazar el adaptador de CA con el paquete de baterías (I) incluido.



## Instalación (continuación)

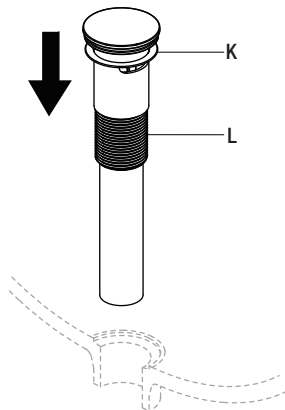
### 8 Cómo preparar el ensamblaje emergente

- Retira la junta superior (M) y la tuerca (N) de la junta superior (K) y del cuerpo emergente (L).
- Quitar estas piezas presionando la junta inferior (M) hacia abajo contra la parte superior de la tuerca (N) y girando ambas al mismo tiempo.



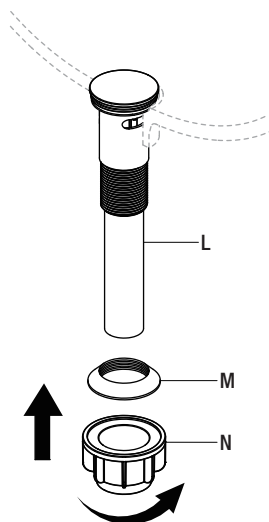
### 9 Cómo instalar el cuerpo emergente

- Inserta el cuerpo emergente (L) en el lavamanos. Asegúrate de que la junta superior (K) descansa de manera segura entre la parte superior del lavamanos y la parte superior del cuerpo emergente (L).



### 10 Cómo asegurar el cuerpo emergente

- Desde la parte inferior del lavamanos, enrosca la junta inferior (M) y el ensamblaje de la tuerca (N) en el cuerpo emergente (L) en el sentido de las manecillas del reloj hasta que quede seguro.



## Instalación (continuación)

### 11 Cómo hacer las conexiones del suministro de agua

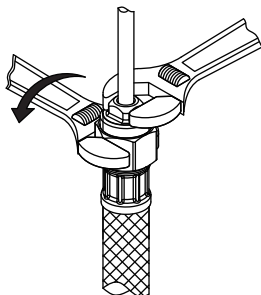
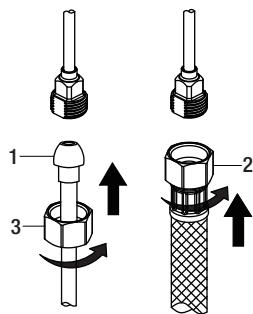


**NOTA:** El tubo de entrada del agua caliente se identifica con una etiqueta. Si no encuentras la etiqueta, el tubo de suministro del agua caliente es el más largo de los dos tubos de entrada.

- Usa conexiones de grifos de 1/2" IPS (2) o tuercas de acoplamiento de líneas de suministro (3) (no incluidas) con un tubo montante de bola de diámetro exterior de 3/8" (1).

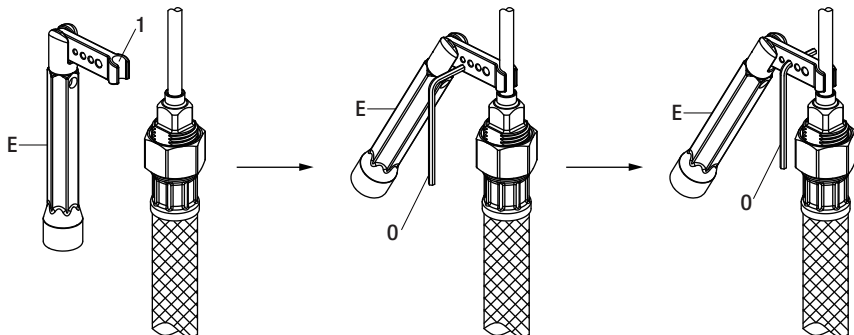


**NOTA:** Antes de apretar el conector del grifo al suministro de agua, fija el accesorio de la tubería de suministro colocando una segunda llave. Esto evitará que la tubería de suministro se mueva o gire cuando aprietes el conector del grifo. No aprietes demasiado.



### 12 Cómo guardar las llaves

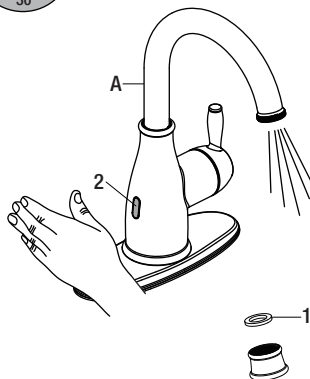
- Después de completar la instalación, guardar la llave (E) y la llave hexagonal (Hex: 2.5 mm, 0) incluidas para usarlas a conveniencia en la próxima ocasión.
- Colocar la ranura (1) de la llave (E) en el tubo de cobre y seleccionar enseguida el orificio apropiado para ella (E) a fin de colocar la llave hexagonal (Hex: 2.5 mm, 0).



## 1 Cómo purgar las tuberías y comprobar que no haya fugas

**!** **IMPORTANTE:** Después de terminar la instalación, retira el aireador del grifo (A) para descargar las líneas de agua. No aflojes la junta (1) en el aireador.

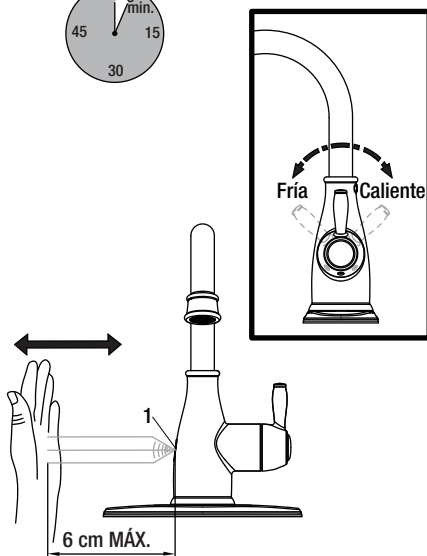
- Abrir el suministro del agua para comprobar si hay fugas o no. Si descubres alguna filtración, verifica tus conexiones para asegurarte de que estén instaladas adecuadamente.
- Abrir el suministro de agua activando el sensor (2) con movimiento de la mano y dejar que corran el agua fría y caliente por al menos un minuto cada una. Esto elimina cualquier desecho que pudiera dañar las piezas internas.
- Cerrar el suministro de agua y volver a instalar el aireador.



## 2 Cómo poner en funcionamiento el sensor

**!** **NOTA:** El maneral controla sólo la temperatura del agua. Abrir y cerrar el suministro de agua con el movimiento de la mano.

- Abre el suministro de agua activando el sensor (1) al pasar la mano a menos de 6 cm de este. Al activar el sensor (1) moviendo la mano a 2-3/8 pulgadas o menos del sensor otra vez, el agua dejará de fluir.
- Al tirar del maneral hacia uno mismo, el agua se tornará fría. Al tirar del maneral alejándolo de uno mismo, el agua se tornará caliente.
- En caso de problemas con el, consultar por favor la sección de solución de problemas.

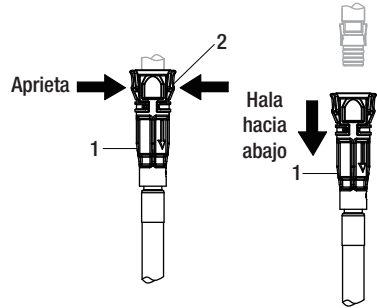


**!** **NOTA:** Como modo de ahorro de agua, el suministro de agua se cerrará automáticamente después de 3 minutos de flujo constante.

## Funcionamiento (continuación)

### 3 Cómo quitar el conector rápido (no se requiere)

- Si es necesario, retira el conector rápido (1), aprieta las pestañas (2) de la manguera y hala hacia abajo para desconectar.



## Cuidado y limpieza

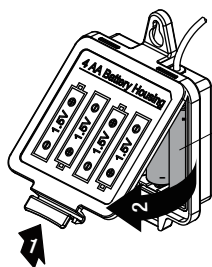
- Para limpiar, usa un paño húmedo y seca con una toalla.
- No uses limpiadores abrasivos, esponjas de alambre o productos químicos fuertes para limpiar esta mezcladora, pues ello anulará la garantía.

## Solución de problemas

### 1 La luz del sensor parpadea constantemente

- Abrir el suministro del agua y activar el sensor. Si el sensor parpadea 10 veces de forma lenta y constante, reemplaza las 4 baterías "AA".

Parpadea 10 veces de forma lenta y constante



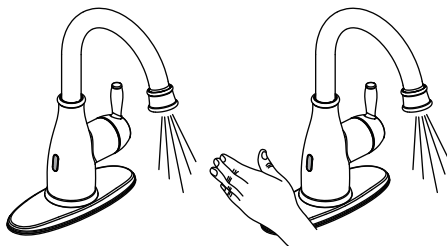
J  
Reemplaza las baterías

### 2 El sensor no activa el flujo de agua

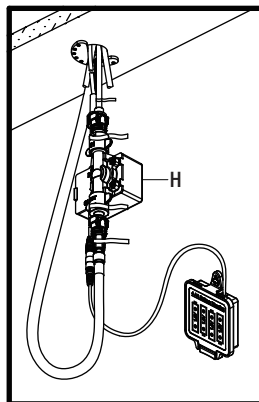
- Si el agua no fluye al moverse la mano delante del sensor.



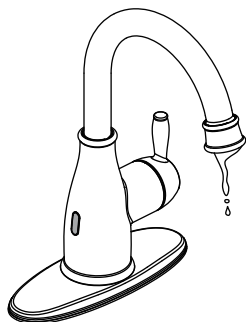
- O si no es posible cortar el flujo de agua moviendo la mano delante del sensor.



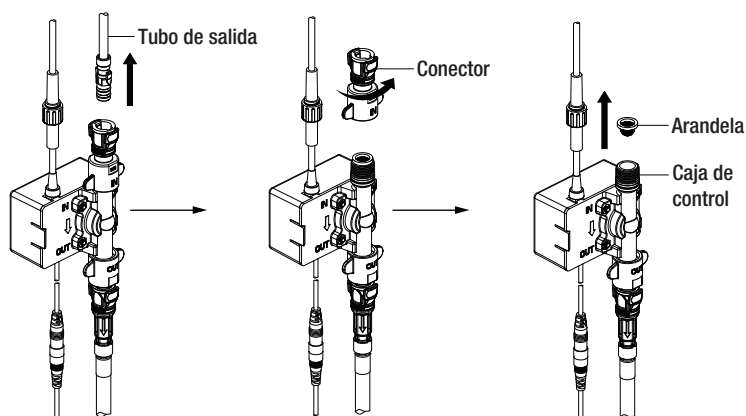
- Esto indica que la ventanilla del sensor pudiera necesitar limpieza. Si la ventanilla está limpia y aún no funciona, esto significa que la caja de control necesita ser reemplazada. Llama al servicio al cliente de Glacier Bay para solicitar el reemplazo de la caja de control. Reemplaza la caja de control vieja por la nueva.



### 3 El caudal de agua es bajo

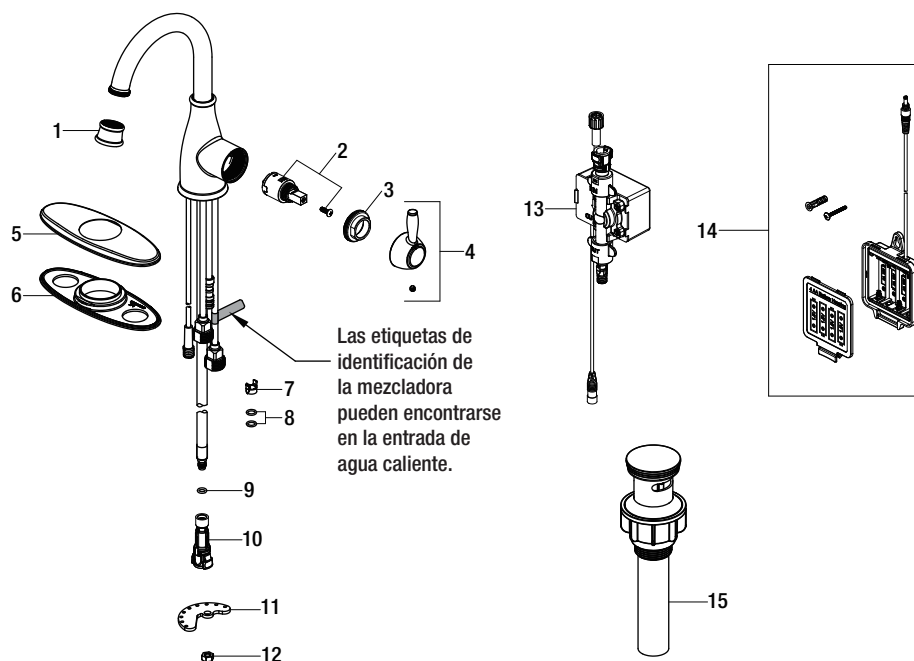


- Esto podría indicar que la arandela del extremo que dice “adentro” (“in”) de la caja de control está sucia o dañada. Quitar el tubo de salida y desenroscar el conector. Retira la arandela de la caja de control. Limpia la arandela o reemplázala. Vuelve a ensamblar el conector y el tubo de salida.





# Piezas de repuesto



| Pieza | Descripción            | Número de pieza |
|-------|------------------------|-----------------|
| 1     | Aireador               | RP30283*        |
| 2     | Cartucho y Tornillo    | RP20117         |
| 3     | Tuerca del bonete      | RP70682         |
| 4     | Ensamblaje de la llave | RP13686*        |
| 5     | Placa de la cubierta   | RP80702*        |
| 6     | Junta                  | RP80703         |
| 7     | Bloque                 | RP70421         |
| 8     | Aro tórico             | RP60002         |
| 9     | Aro tórico             | RP60022         |

| Pieza | Descripción                      | Número de pieza |
|-------|----------------------------------|-----------------|
| 10    | Ensamblaje del conector rápido   | RP70683         |
| 11    | Arandela                         | RP64246         |
| 12    | Tuerca de bloqueo                | RP56033         |
| 13    | Caja de control del sensor       | RP70708         |
| 14    | Paquete de baterías              | RP70707         |
| 15    | Presiona el ensamblaje emergente | RP40305*        |

\*Especificar acabado

Muchos cartuchos de repuesto, aireadores y ensamblajes de drenaje pueden comprarse en tu tienda de The Home Depot local o por internet en [WWW.HOMEDEPOT.COM](http://WWW.HOMEDEPOT.COM)



¿Problemas, preguntas o piezas faltantes?

Antes de regresar a la tienda, llama al servicio al cliente de Glacier Bay de lunes a viernes entre 8 a.m. y 7 p.m. y los sábados entre 9 a.m. y 6 p.m. (hora estándar del Este)

1-855-HD-GLACIER (1-855-434-5224)

[HOMEDEPOT.COM/GLACIERBAY](https://www.homedepot.com/glacierbay)

Conserva este manual para uso futuro.