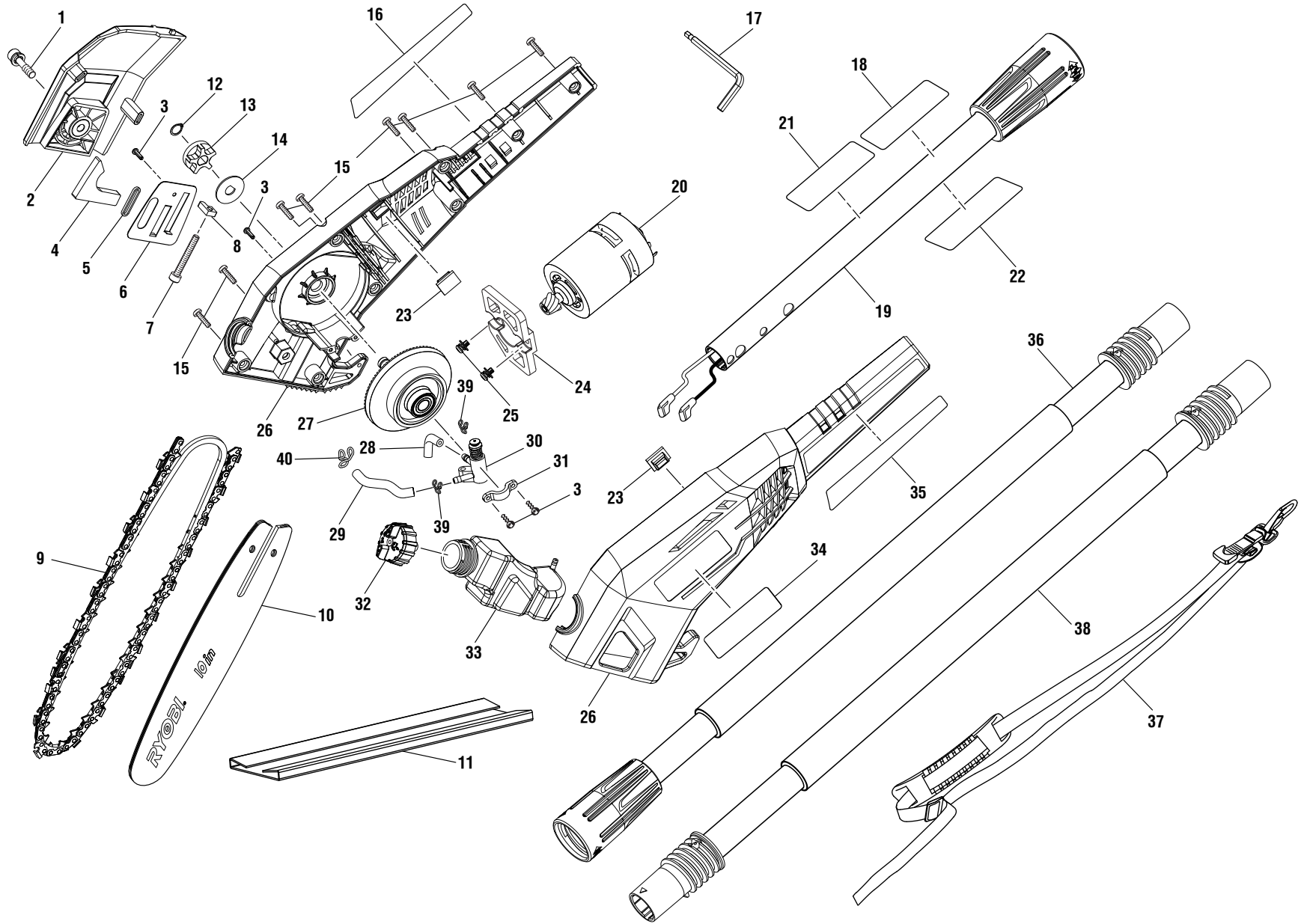


RYOBI
Pole Saw Attachment
Item No. RY40051
Mfg. No. 311069004
Repair Sheet

TECHTRONIC INDUSTRIES POWER EQUIPMENT

P.O. Box 1288
Anderson, SC 29622
Phone 1-800-860-4050
www.ryobitools.com

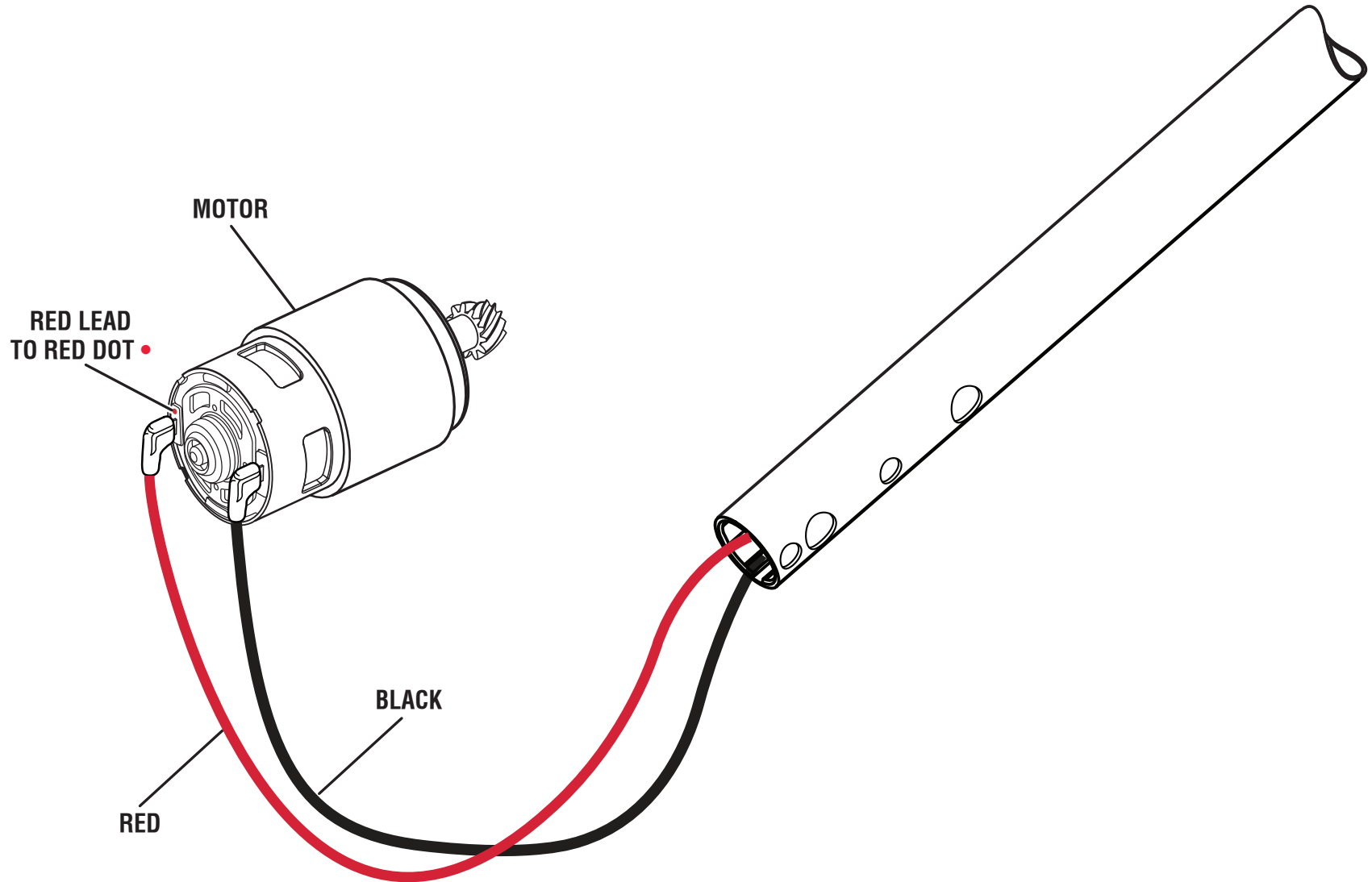
RYOBI POLE SAW ATTACHMENT - ITEM NO. RY40051



RYOBI POLE SAW ATTACHMENT – ITEM NO. RY40051

The model number will be found on a label attached to the Upper Pole Assembly. Always mention the model number in all correspondence regarding your **POLE SAW ATTACHMENT** or when ordering replacement parts.

KEY NO.	PART NUMBER	DESCRIPTION	QTY	KEY NO.	PART NUMBER	DESCRIPTION	QTY
1	660058008	Screw (M6 x 25 mm)	1	23	570115001	Rubber Plate	2
2	551066001	Chain Cover Assembly.....	1	24	642037001	Mounting Plate.....	1
3	660203001	Screw (M3 x 8 mm, Pan Hd.)	4	25	T661845001	Screw w/Washer (M5 x 9 mm, Pan Hd.)	2
4	570821001	Press Block (Seal)	1	26	314757001	Motor Housing Assembly (Inc. Key Nos. 16 and 34-35)	1
5	570820001	Rubber Seal	1	27	311071001	Gear Assembly.....	1
6	634561001	Guide Bar Plate.....	1	28	570807001	Inlet Tube.....	1
7	661816001	Screw (M5 x 37 mm, Soc. Hd.)	1	29	570807002	Outlet Tube.....	1
8	678356002	Adjustment Block.....	1	30	300946003	Oil Pump Assembly.....	1
9	693814001	Chain.....	1	31	531003001	Clamp.....	1
10	311278001	Guide Bar	1	32	310983001	Oil Tank Cap Assembly	1
11	518405001	Scabbard.....	1	33	311072001	Oil Tank Assemblby (Inc. Key No. 32)	1
12	670608002	Retaining Ring.....	1	34	941851093	Logo Label	1
13	610323001	Sprocket.....	1	35	941851094	40V Lithium Label (Left)	1
14	690733001	“D” Washer (OD24 x ID 10 x 1.2t)	1	36	311081002	Extended Boom Assembly.....	1
15	661189003	Screw (M4 x 18 mm, T20 Torx Pan Hd.)	8	37	308047001	Shoulder Strap Assembly	1
16	941851095	40V Lithium Label (Right)	1	38	311075001	Boom Assembly	1
17	680002008	Hex Key (5 mm).....	1	39	690700001	Hose Clip	2
18	941851096	Icon Warning Label (English).....	1	40	690700005	Hose Clip	1
19	311069005	Upper Pole Assembly (Inc. Key Nos. 18 and 21-22)	1	NOT SHOWN			
20	311070002	Motor Assembly.....	1	998000009	Operator’s Manual		
21	941588520	Data Label.....	1	9-26-19			
22	941851098	Warning Label (French/Spanish).....	1	(Rev:01)			



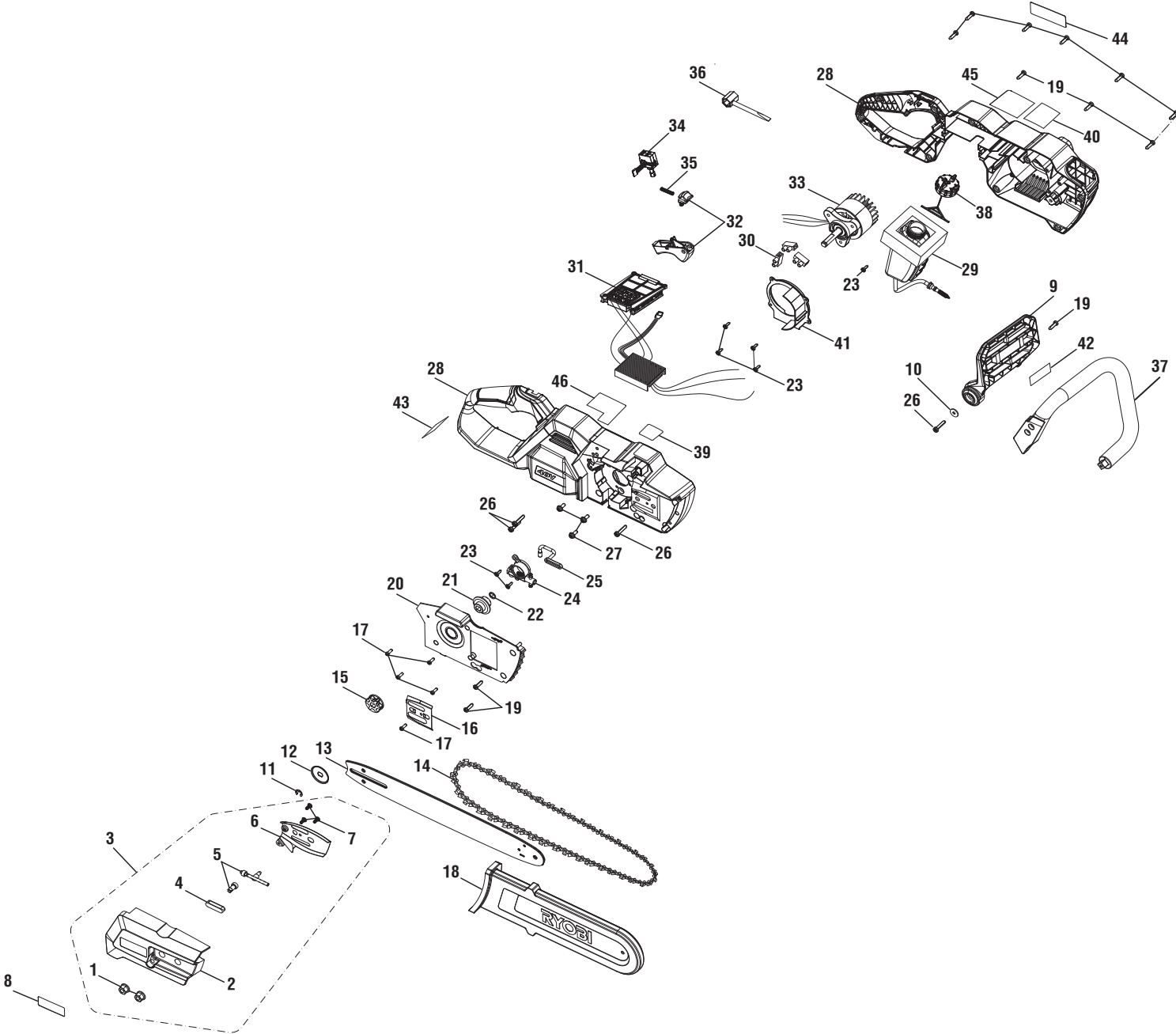
WIRING DIAGRAM

RYOBI
40 VOLT CHAIN SAW
Mfg. No. 107507001
Item No. RY40503
REPAIR SHEET

TECHTRONIC INDUSTRIES POWER EQUIPMENT

P.O. Box 1288, Anderson, SC 29622 USA
1-800-860-4050 • www.ryobitools.com

RYOBI 40 VOLT CHAIN SAW – MODEL NUMBER RY40503



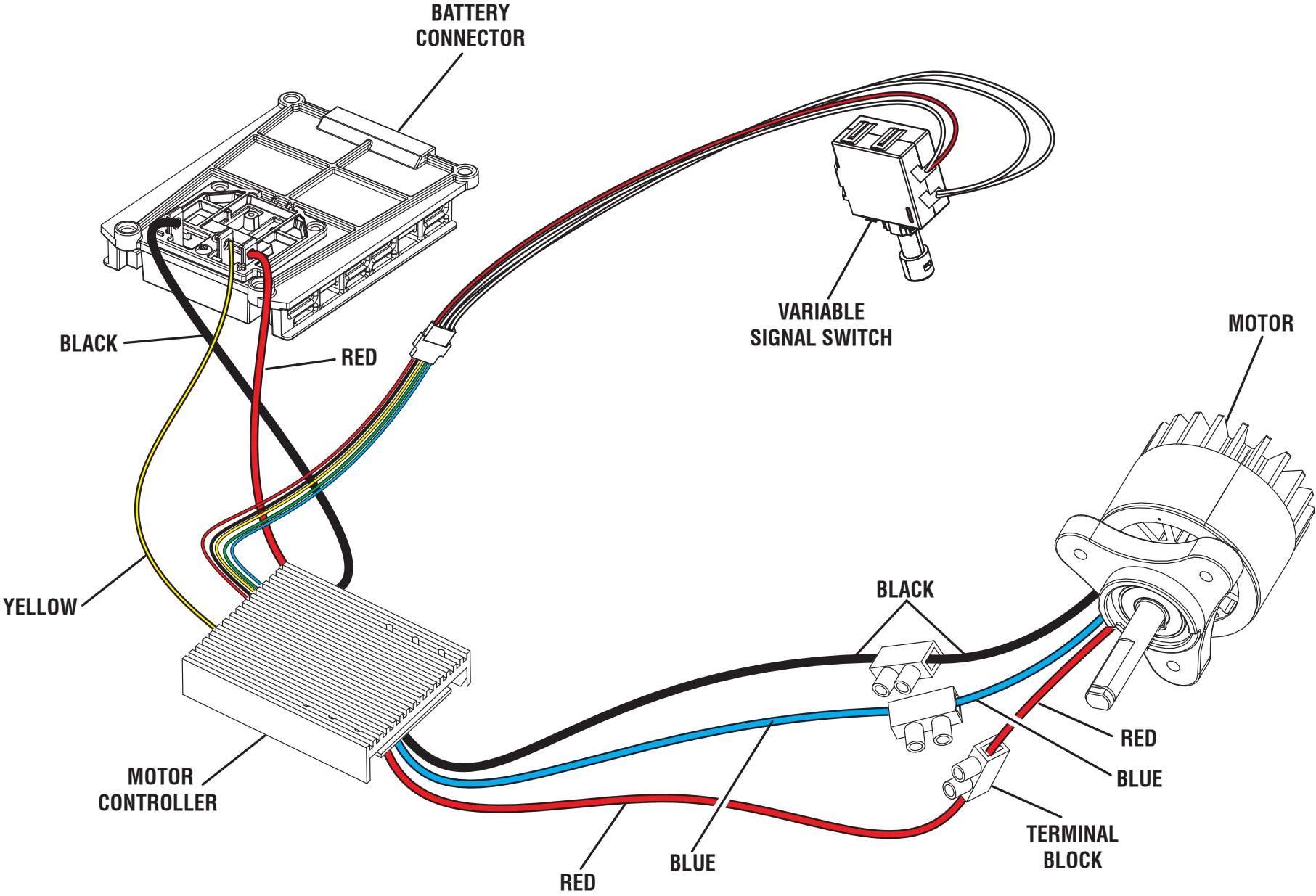
RYOBI 40 VOLT CHAIN SAW – MODEL NUMBER RY40503

The model number will be found on a label attached to the motor housing. Always mention the model number in all correspondence regarding your **CHAIN SAW** or when ordering repair parts.

PARTS LIST

KEY NO.	PART NUMBER	DESCRIPTION	QTY	KEY NO.	PART NUMBER	DESCRIPTION	QTY
1	678339003	Hex Nut (5/16-18)	2	26	662053001	Screw (M5 x 25, T25 Torx Pan Hd.).....	4
2	205119001	Bar Cover (Inc. Key No. 8)	1	27	662052002	Screw (M5 x 8 mm, T25 Torx Pan Hd.).....	3
3	205118001	Bar Cover Assembly (Inc. Key Nos. 1-2 & 4-8).....	1	28	205116001	Housing Assembly (Inc. Key Nos. 39-40 & 43-46)	1
4	563443001	Rubber Plate.....	1	29	314746001	Oil Tank Assembly	1
5	205120001	Driving Adjustment Gear Assembly.....	1	30	900876003	Terminal Block	3
6	658138001	Guide Plate	1	31	314747001	Motor Controller and Battery Connector Assembly	1
7	660922001	Screw (M4 x 12 mm, T20 Torx Pan Hd.).....	3	32	205117001	Switch Trigger & Lock Out Button Assembly	1
8	941851104	Bar Cover Logo Label.....	1	33	742089004	Motor	1
9	205115001	Guard Assembly (Inc. Key No. 42).....	1	34	760579005	Switch.....	1
10	638988001	Washer.....	1	35	694143001	Spring	1
11	636159001	E-ring	1	36	612330001	Wrench	1
12	635367001	Cap Washer	1	37	537276001	Front Handle	1
13	314675001	Bar (14 in.).....	1	38	306888001	Oil Tank Cap Assembly.....	1
14	682006004	Chain (14 in.).....	1	39	941851111	Warning Icon Label (Right)	1
15	612313001	Sprocket	1	40	941851110	Warning Icon Label (Left).....	1
16	635335001	Guide Bar Plate	1	41	537280001	Volute Cover	1
17	662083001	Screw (M4 x 12 mm, T20 Torx Pan Hd.).....	5	42	941851105	Logo Label.....	1
18	580491001	Scabbard	1	43	941851106	Data Label	1
19	662051001	Screw (M5 x 19 mm, T20 Torx Pan Hd.).....	12	44	941851102	Motor Side Logo Label	1
20	537277001	Cover Housing.....	1	45	941851109	Warning Label (English/Spanish, Left).....	1
21	537485001	Oil Pump Drive.....	1	46	941851108	Warning Label (English/French, Right)	1
22	658198001	Washer.....	1	Not Shown:			
23	660608001	Screw (M4 x 12 mm, T-20 Torx Pan Hd.).....	7	995000684	Operator's Manual		
24	309516002	Oil Pump	1	12-18-18			
25	565069001	Oil Output Tube	1	(Rev:01)			

RYOBI 40 VOLT CHAIN SAW – MODEL NUMBER RY40503



WIRING DIAGRAM