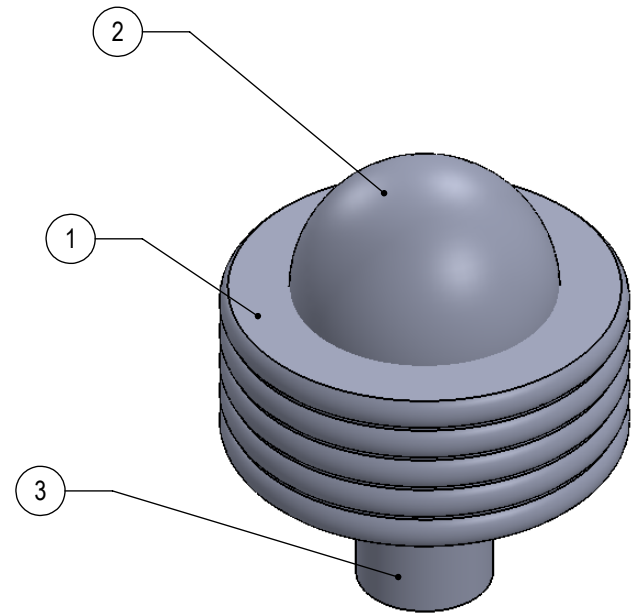
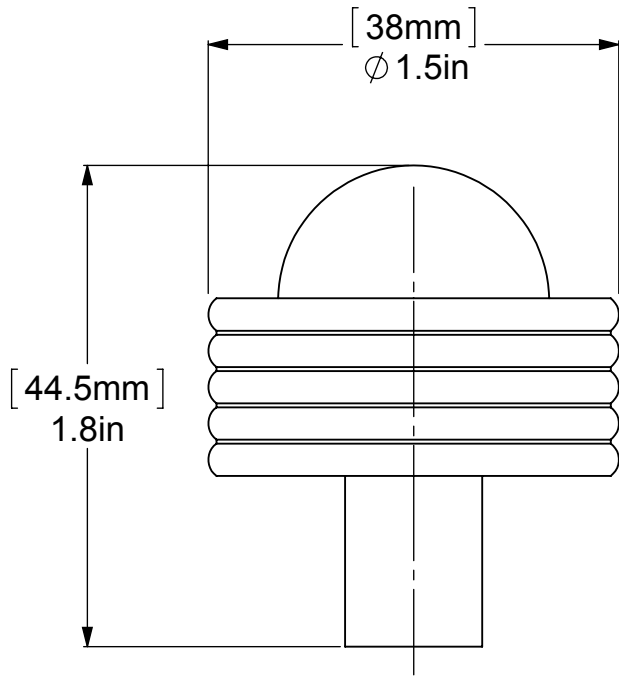
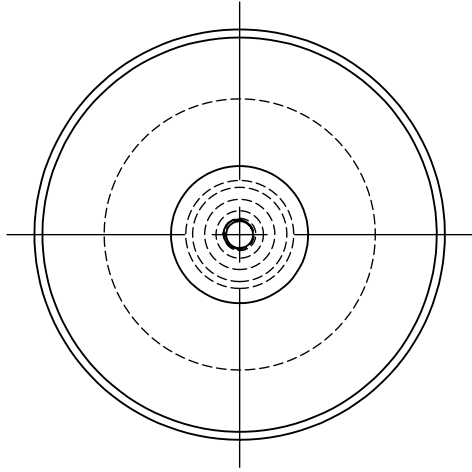


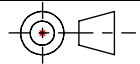
ITEM NO.	PART NUMBER	DESCRIPTION	QTY.
1	RGGV	HUB	1
2	CAHR-1	CAP	1
3	PSRD8-12	BASE TUBE	1



UNLESS OTHERWISE STATED

.X	±.3mm
.XX	±.15mm
.XXX	±.008mm

COPYRIGHT © Allied Brass 2017



THIRD ANGLE PROJECTION

DRAWN	6/17/2017	I.M
CHECKED	6/17/2017	P.D
APPROVED	6/17/2017	R.A

MATERIAL:	BRASS
DESCRIPTION:	1-1/2 Inch Cabinet Knob

FINISH	TBD
QUANTITY	TBD
DRAWING No.	REV
101AG	0
SCALE	1:0.7
SHEET: 01	A4