

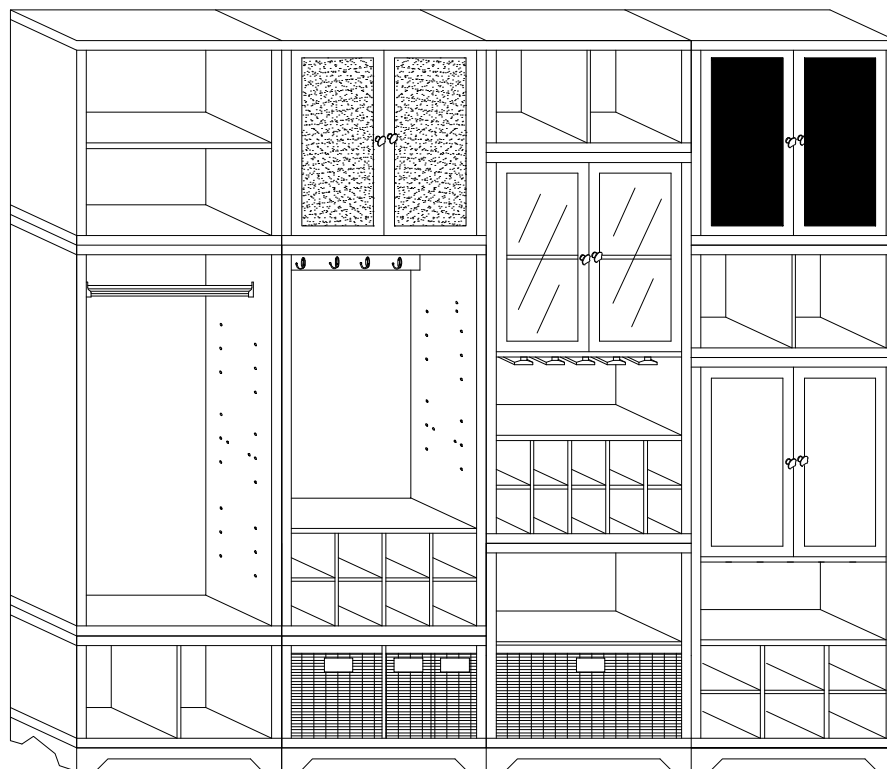
# HOME DECORATORS COLLECTION

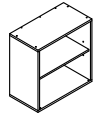
## BAXTER COLLECTION

### ASSEMBLY INSTRUCTIONS

- Note:**
1. Before assembly, please be sure to work on a soft, flat surface to avoid any damage to the finish.
  2. You need at least 2 people to finish the assembly of this product.

Made In China

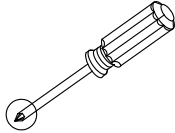
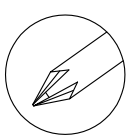




## BEFORE ASSEMBLY

**IMPORTANT NOTE:** READ CAREFULLY BEFORE ASSEMBLY TO PREVENT DAMAGE TO PARTS. FOLLOW INSTRUCTIONS LISTED BELOW IN THE PROPER SEQUENCE AS NUMBERED TO ASSURE FAST, EASY AND CORRECT ASSEMBLY.

## ASSEMBLY TOOLS REQUIRED



"+"Screw driver



Electric drill

THANK YOU FOR PURCHASING THIS QUALITY PRODUCT. BE SURE TO CHECK ALL PACKING MATERIAL CAREFULLY FOR SMALL PARTS, WHICH MAY HAVE CAME LOOSE INSIDE THE CARTON DURING SHIPMENT. COUNT ALL PARTS AND MATERIAL HARDWARE, COMPARE WITH PARTS LIST TO BE SURE ALL PARTS ARE PRESENT. IF ANY PARTS ARE MISSING OR DAMAGED, PHONE, FAX OR MAIL TO OUR CUSTOMER SERVICE DEPARTMENT. FOR EFFICIENT AND SPEEDY SERVICE, PLEASE INDICATE THE MODEL NUMBER AND CODE LETTER OF THE PART NEEDED.

## HARDWARE LIST

<p>WOOD DOWEL 4 PCS</p> <p>φ6x25mm (1)</p>	<p>LONG BOLT HORIZONTAL HOLE NUT VELVET HOLE COVER 8 SETS</p> <p>φ6x38mm (2)</p>	<p>FLAT HEAD SCREW 3 PCS</p> <p>φ4x32mm (3)</p>	<p>GECKO FLAT HEAD SCREW 2 SETS</p> <p>φ4x25mm (4)</p>	<p>FLAT HEAD SCREW METAL ANCHOR 2 SETS</p> <p>φ3x12mm (5)</p>
<p>TILTING PREVENT HARDWARE 1 SET</p> <p>φ3x15mm φ4x25mm (6)</p>	<p>SHELF HOLDER 4 PCS</p> <p>(7)</p>	<p>NOTE: (5) AND (6) THE TWO HARDWARES ARE USED FOR CONNECTING FRAMES, BASE AND WALL WHICH HAVE SHOWN ON THE ASSEMBLY OF BASE.</p>		

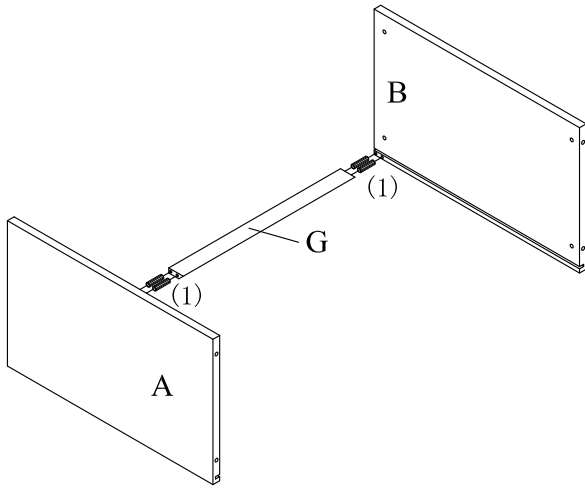
## PARTS LIST

<p>LEFT SIDE PANEL 1 PC</p> <p>A</p>	<p>RIGHT SIDE PANEL 1 PC</p> <p>B</p>	<p>BOTTOM PANEL 1 PC</p> <p>C</p>	<p>TOP PANEL 1 PC</p> <p>D</p>
<p>BACK PANEL 1 PC</p> <p>E</p>	<p>SHELF 1 PC</p> <p>F</p>	<p>ACROSS BAR 1 PC</p> <p>G</p>	<p>ACROSS BAR 1 PC</p> <p>H</p>

NOTE: THE SURFACE WITH THE STICKER IS THE BACK SIDE.

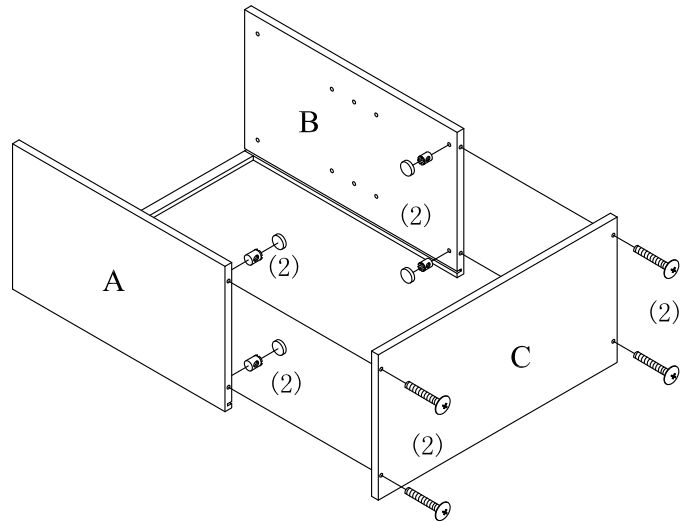
STEP 1: ASSEMBLE SIDE PANEL (A & B) AND ACROSS BAR (G)

- USE WOOD DOWEL (1) TO ASSEMBLE SIDE PANEL (A & B) AND ACROSS BAR (G) TOGETHER.



STEP 2: ASSEMBLE BOTTOM PANEL (C)

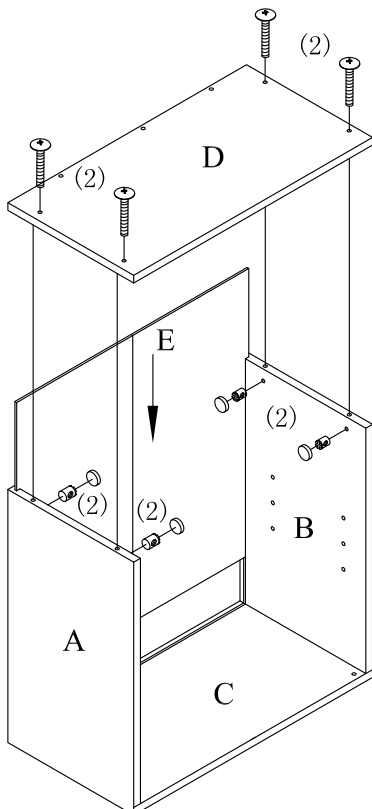
- USE BOLT & HORIZONTAL HOLE NUT (2) TO ASSEMBLE BOTTOM PANEL (C) AND SIDE PANEL (A & B) TOGETHER.
- USE VELVET HOLE COVER (2) TO COVER THE HORIZONTAL NUT HOLES AS SHOWN.



IMPORTANT NOTE: FOLLOW THE ASSEMBLY INSTRUCTIONS FOR RELATED ACCESSORIES AS FOLLOWING PAGES HAVE SHOWN.

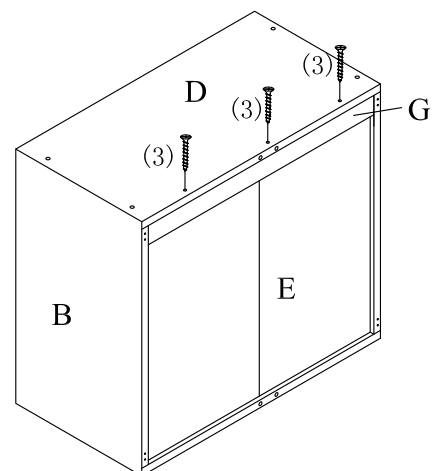
STEP 3: ASSEMBLE TOP PANEL (D) AND BACK (E)

- INSERT BACK PANEL (E) INTO THE SLOTS OF SIDE PANEL (A & B) AND BOTTOM PANEL (C).
- USE HORIZONTAL HOLE NUT (2) TO ASSEMBLE TOP PANEL (D) AND SIDE PANEL (A & B) TOGETHER.
- USE VELVET HOLE COVER (2) TO COVER THE HORIZONTAL NUT HOLES AS SHOWN.



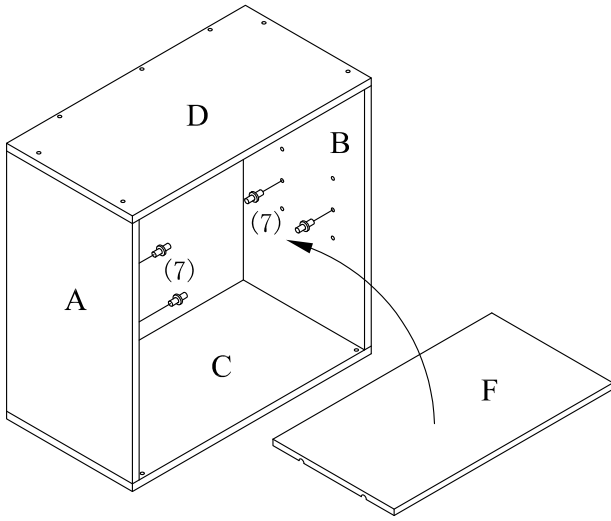
STEP 4: ASSEMBLE FLAT HEAD SCREW (3)

- USE FLAT HEAD SCREW (3) TO REINFORCE ACROSS BAR (G) ONTO TOP PANEL (D) AS SHOWN.



**STEP 5: ASSEMBLE SHELF (F)**

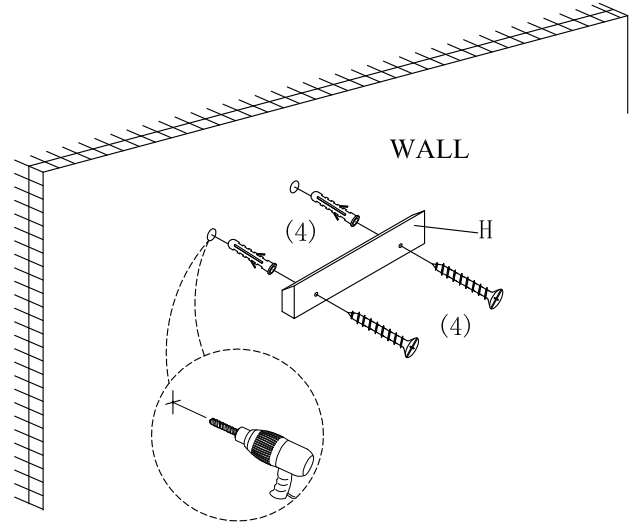
- INSERT SHELF HOLDERS (7) INTO THE HORIZONTAL HOLES INSIDE OF SIDE PANEL (A & B), THEN PUT SHELF (F) INSIDE.



NOTE: THE MEDIUM FRAME CAN BE HUNG ON A WALL AS WELL, FOLLOW THE NEXT 2 STEPS IF YOU HAVE THIS NEED.

**STEP 6: ASSEMBLE ACROSS BAR (H)**

- USE ELECTRIC DRILL TO DRILL 2 SMALL HOLES ON THE DESIRED LOCATION OF THE WALL. INSERT 2 GECKOS INTO THE HOLES BY RUBBER MALLET. USE 2 FLAT SCREWS TO FIX ACROSS BAR (H) ONTO THE 2 GECKOS AS SHOWN.



**STEP 7: HANG UP MEDIUM FRAME**

- HANG UP THE MEDIUM FRAME ON THE ACROSS BAR (H) AS SHOWN.

