

STERLING®

A KOHLER COMPANY

Features

- Drawn from 21 gauge - type 301 (18-7) series nickel-bearing stainless steel
- Satin basin
- Stud mounting (self-rimming only)
- Oval sink design
- Oval flat rim
- Self-rimming or undercounter
- 16-3/4" (42.5 cm) x 11-3/4" (29.8 cm) x 5-1/2" (14 cm)

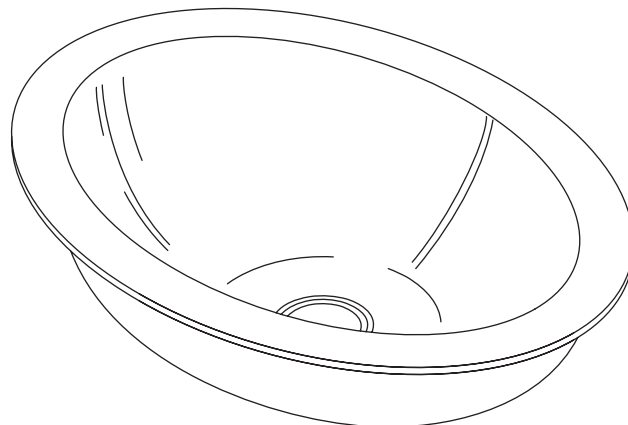
Codes/Standards Applicable

Specified model meets or exceeds the following:

- ASME A112.19.3/CSA B45.4

STAINLESS STEEL OVAL SINK

S1201-0
ALSO S1206-0



Colors/Finishes

- NA: None applicable

Specified Model

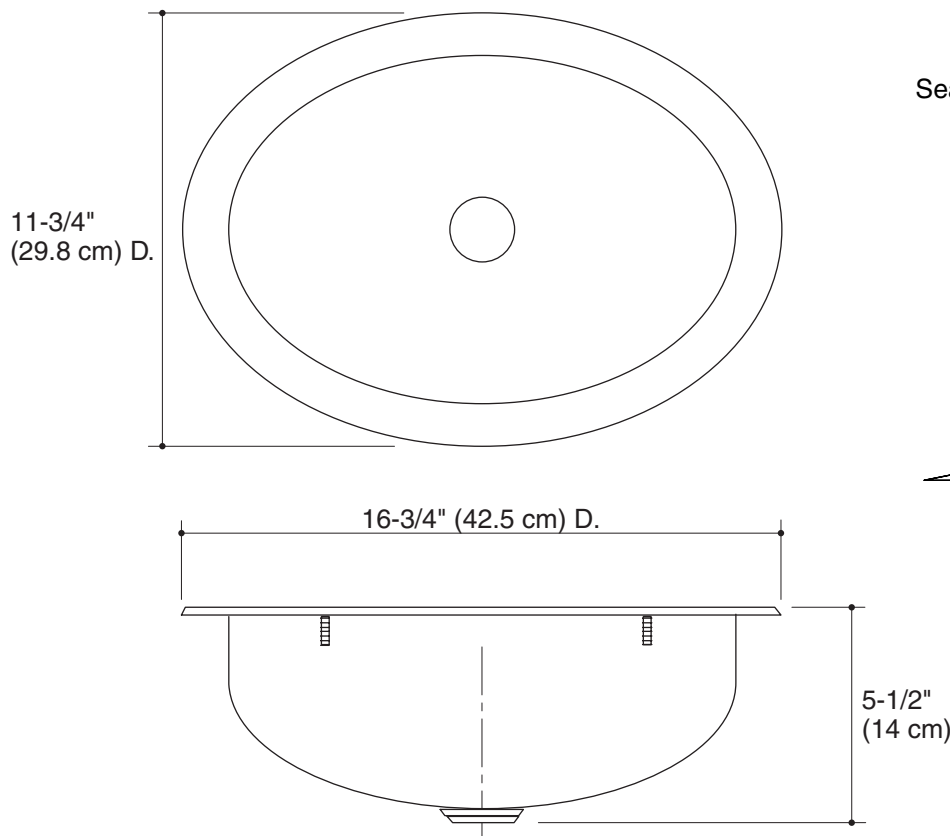
Model	Description	Holes	Basin Depth	Colors/Finishes
S1201-0	Bright polished mirror deck finish	0	5-1/2" (14 cm)	<input type="checkbox"/> NA
S1206-0	Satin deck finish	0	5-1/2" (14 cm)	<input type="checkbox"/> NA

Technical Information

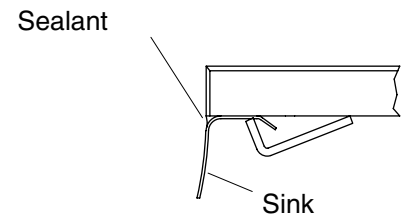
Fixture*:	cutout size	basin area
Sink	cutout to shape	NA
Drain hole	1-1/2" (3.8 cm) D.	
* Approximate measurements for comparison only.		

Installation Notes

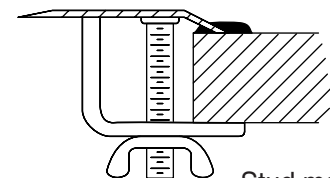
Install this product according to the installation guide.



Product Diagram



Undercounter Installation



Stud mounting provides easy installation

Self-Rimming Installation