



# Installation Instructions

## AQ-5300+ Under Counter Water Filter



NOW  
CONNECTED!



Download on the  
App Store

# Live Healthy

Congratulations! You are about to enjoy healthy and delicious filtered water.

Start drinking healthier water, better tasting beverages (coffee, tea, smoothies) and better tasting foods (vegetables, rice, pasta, soups). Even your pets and plants can now benefit with chemical-free water.

Please read and follow the instructions on setup and care of the product. If you need help, call us at 866-662-6885 or email [support@aquasana.com](mailto:support@aquasana.com).

Customer service hours: Weekdays 8–6, Saturdays 9–5, Central Time.



- A AQ-5300+ filter unit
- B Faucet (1)
- C Filter Cartridges (3)
- D Screws with anchors (2)
- E Faucet Rubber Washer (1)
- F Faucet Spacer (1)
- G Faucet Washer (1)
- H Faucet Nut (1)
- I Battery (1)
- J Chrome nut (1)
- K Plastic collar (2)
- L Plastic tube insert (1)
- M Brass nut (1)
- N Brass tube insert (1)
- O Brass Tee (1)
- P Poly Tubing (Not Shown)



## The AQ-5300+ comes in three designer finishes: Chrome, Brushed Nickel and Oil-Rubbed Bronze.

The faucet may be mounted on the sink using an existing hole for a sprayer nozzle or soap dispenser, or by drilling a hole at least 1/2" (13mm) in diameter. Be sure the location of the faucet allows the spout to extend slightly past the edge of the sink. We recommend enlisting the services of an approved or certified professional if drilling is required.

## Preparing for Installation

*Please read entire installation guide before installing the filter system.*

### Tools Recommended for Installation

- Variable speed drill + 7/32" (6mm) bit
- Adjustable wrench
- Measuring tape
- Bucket
- Phillips head screwdriver
- Hammer

Please ensure all parts listed are present. If any part is missing or damaged, do not attempt to install the filter.

**Estimated Installation Time: 45 minutes**

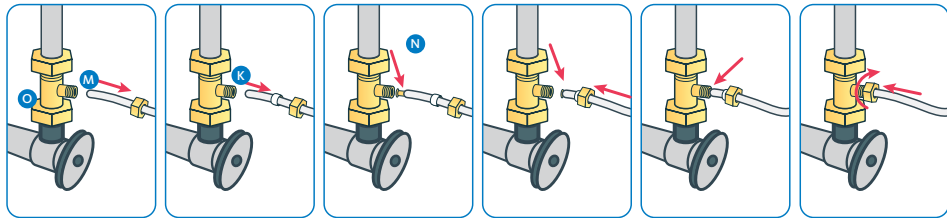
# Easy to install



**1** Unpack and unwrap contents. Turn off and disconnect the cold water supply.



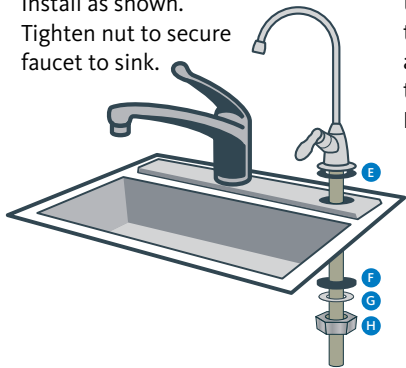
**2** Attach threaded ends of supplied brass tee to the cold water supply line and shut-off valve; tighten using an adjustable wrench.



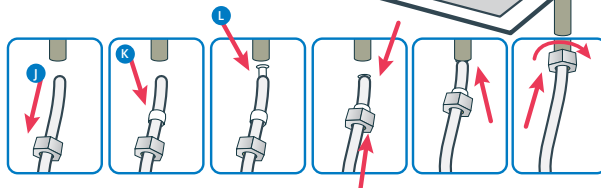
**3** Attach 3/8" white tube to the brass tee: slide the compression nut onto the white tubing (with threads of the nut facing the end of the white tube). Next, slide the plastic sleeve onto the white tube. Place brass insert into the opening of white tube. Push the tip of the white tubing into the opening of the brass tee. While holding the white tube in place inside the brass tee, tighten the compression nut to compress the plastic sleeve and create a seal. **NOTE:** Use a wrench to ensure complete seal. Avoid over tightening.



**4** Faucet Installation: Install as shown. Tighten nut to secure faucet to sink.



**5** Faucet Connection: connect the 1/4" outlet tubing to the base of the faucet by sliding the chrome nut onto the tube followed by the white collar. Place the white insert into the end of the tube. Press the tube against the faucet base and slide the nut and collar up to the threads. Use wrench to ensure seal is sufficiently tight. Note: Avoid over tightening.

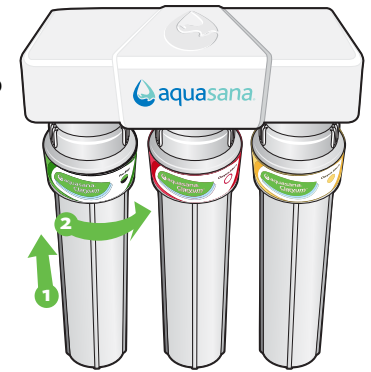


**6** Select a space under your sink for the filter unit that is at least 12" (30 cm) from the bottom of your cabinet to allow easy access to the water and for filter replacements. Use the mounting holes located at the back of the unit to mark the wall screw placements. Hole distance: 98mm



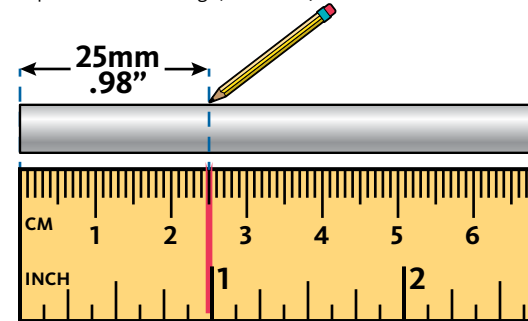
**7** Use a 7/32" (6mm) drill bit to drill holes. Carefully tap the plastic anchors into the drilled hole with a hammer. Mount unit to the wall with the screws. Pull the protective plastic strip from the battery compartment. The red LED should flash and beep five (5) times to indicate that the battery is installed correctly.

**8** Attach each sump to the bottom of the unit housing. Align connection points, push the sump up and turn to the right. Ensure that the sump is locked in and in the correct order as shown.



**9** Connect supply lines: insert 3/8" tubing from the tee fitting into the inlet side and insert 1/4" tubing from the faucet into the outlet side. Use diagram on the right to mark tubing depth to ensure they get inserted completely. **It is VERY IMPORTANT to insert tubing completely so leaking does not occur.**

Depth to insert tubing (actual size)



**10** Turn the cold water on. Check for leaks and proper installation: place a towel under the filter unit and check for leaks. Allow water to run for 10 minutes to flush carbon fines. Note: Never use oils to lubricate the O-rings; O-rings come pre-lubricated.



## Pure Satisfaction

All Aquasana products offer a 90-day 100% satisfaction guarantee. A one (1) year warranty is included, which covers defects in materials and workmanship. If for any reason you are not satisfied with your purchase, simply call us or the dealer you purchased from. A Return Authorization Code and a full refund will be promptly issued upon return.



This filter system is designed and tested for use with genuine Aquasana parts, including replacement filters and all hardware. Use of parts from other manufacturers may result in loss of contaminant reduction performance, system damage or failure. Use of parts from other manufacturers will also void your warranty. Please visit [aquasana.com](http://aquasana.com) for all replacement parts.

## Precautions:

- Slow Filter? Change pre-filter cartridge more often.
- Filter is only to be used with cold water.
- If you experience a leak at the hose connection, disconnect and re-seat the hose.
- Aquasana is not liable for consequential or incidental damages due to improper installation.

## AQ-5300+

Replacement cartridge:  
AQ-5300+R

Rated service flow:  
0.72 gpm (2.7 lpm)

Max capacity:  
800 gallons (3,028 liters)

Min working pressure:  
20 psi (1.40 kg/cm<sup>2</sup>)

Max working pressure:  
80 psi (5.62 kg/cm<sup>2</sup>)

Min operating temperature:  
40° F (4.44° C)

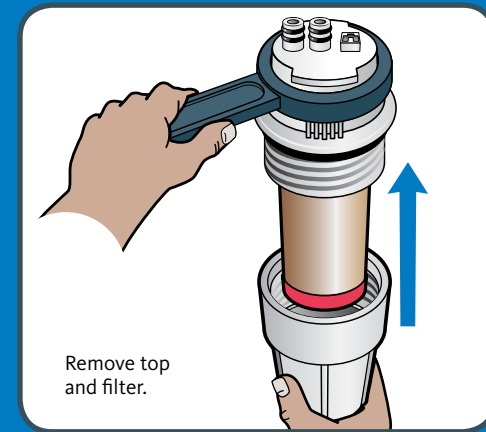
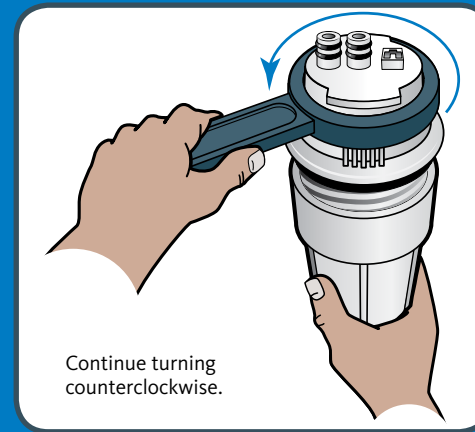
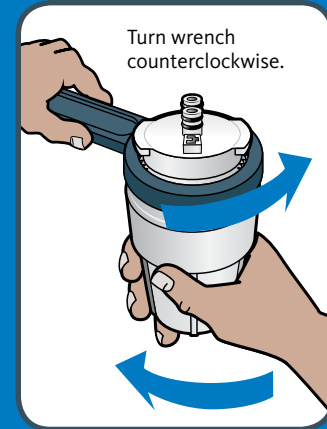
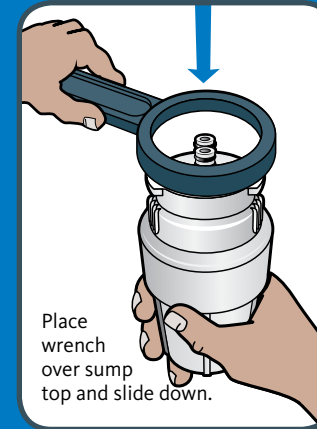
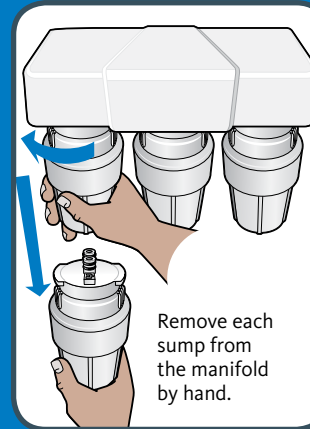
Max operating temperature:  
90° F (32.22° C)

**Do not use with water that is microbiologically unsafe or of unknown water quality without adequate disinfection before or after the system. Systems certified for cyst reduction may be used on disinfected waters that may contain filterable cysts.**

## Care and Maintenance

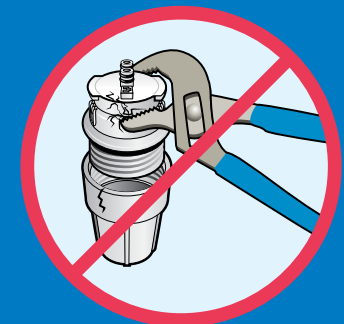
To clean your filter unit, wipe down the exterior with a damp cloth.

Once filters are at 95% capacity (about every 6 months), the battery alarm will sound and flash red when water is flowing and will continue for 15 seconds once water is turned off. Change the battery every time you replace your filters. The battery is included with the filter replacement cartridges.



## WARNING

Do not use tools to remove or tighten sumps. Over tightening can cause damage and result in leaking. Hand tighten only.



Now Connected with Bluetooth  
USE YOUR SMARTPHONE TO



**TRACK**  
GALLONS  
FILTERED



**MEASURE**  
ENVIRONMENTAL  
IMPACT



**ESTIMATE**  
DOLLARS SAVED  
by not buying  
bottled water



**ALERT**  
YOU WHEN YOUR  
FILTER IS LOW



**ORDER**  
REPLACEMENT  
FILTERS



Save time and money with Water for Life™

The most convenient and economical way to get replacement filters for your system is to sign up for the Water for Life auto-ship program. Replacement filters come with:

- FREE shipping
- A 15% discount
- A System warranty (as long as you're enrolled)

Water for Life is FREE  
and you can unsubscribe at any time  
Replacement filters available at  
[Aquasana.com](http://Aquasana.com)

**EXPERIENCING AN ISSUE  
WITH YOUR SYSTEM?**

PLEASE CALL AQUASANA AT

**866.662.6885**

Select option #2

We offer complimentary shipping on unit exchanges.

Your satisfaction is our #1 goal.





Performance Data for the AquaSana Under Counter Water Filter					
Model	Replaces	Operating pressure range	Rated capacity	Operating temp range	Rated flow
AQ-5300+	AQ-5300+R	20-80 psi (1.40-5.624 kg/cm <sup>2</sup> )	800 gallons (3,028 liters)	40-90° F (4-44-32.2° C)	0.73 gpm (2.7 lpm)

Manufactured by: AquaSana, Inc. 6310 Midway Road · Haltom City, Texas 76117 · 866.662.6885

Testing Performed under NSF/ANSI Standards 42 and 53 and in accordance with the California Department of Health Services Drinking Water Treatment Device Program. This system has been tested according to NSF/ANSI 42, 53, 401 @ P473 for reduction of the substances listed below. The concentration of the indicated substances in water entering the system was reduced to a concentration less than or equal to the permissible limit for water leaving the system, as specified in NSF/ANSI 42, 53, 401 @ P473.

NSF/ANSI 42	Minimum reduction	Overall % reduction	Results
Chlorine Reduction, Free Available	<0.5 mg/l	97.66%	Pass
Chloramine Reduction, Free Available	<0.5 mg/l	97.66%	Pass
Particulate Reduction	85%	99.9%	Pass

NSF/ANSI 53	Required reduction	Overall % reduction	Results
Cyst Live Cryptosporidium & Giardia	99.95%	>99.99%	Pass
Mercury Reduction pH 8.5	<2 ug/L	>95.8%	Pass
Mercury Reduction pH 6.5	<2 ug/L	>96.5%	Pass
Lead Reduction pH 6.5	<10 ug/L	>99.4%	Pass
Lead Reduction pH 8.5	<10 ug/L	>99.3%	Pass
MTBE Reduction	<5 ug/L	86.6%	Pass
VOC Surrogate Test	95%	99.4%	Pass
Asbestos Reduction	99%	>99%	Pass

NSF/ANSI 401	Maximum Concentration	Minimum Reduction	Overall % Reduction	Results
Phenytol	30 ng/L	95.50%	95.6%	Pass
Ibuprofen	60 ng/L	95.3%	95.4%	Pass
Naproxen	20 ng/L	96.3%	96.4%	Pass
Estrone	20 ng/L	96.30%	96.5%	Pass
Bisphenol A	300 ng/L	98.80%	98.9%	Pass
Nonyl phenol	200 ng/L	97.50%	97.5%	Pass

NSF P473	Influent challenge concentration	Maximum permissible product water concentration	Overall % reduction	Results
Perfluorooctanoic acid (PFOA) & Perfluorooctane sulfonate (PFOS)	1.5 ±10% ug/L	0.07 ug/L	96%	Pass



System tested and certified by NSF International against NSF/ANSI Standard 42, 53 & 401 and conforms to NSF protocol P473 for reduction of claims specified on the Performance Data Sheet and at [www.nsf.org](http://www.nsf.org).

- Filter is only to be used with cold water.
- Filter usage must comply with all state and local laws.
- Testing was performed under standard laboratory conditions, actual performance may vary.
- Systems certified for cyst reduction may be used on disinfected waters that may contain filterable cysts.
- See owner's manual for general installation conditions and needs plus manufacturer's limited warranty.

- All contaminants reduced by this filter are listed.
- Not all contaminants listed may be present in your water.
- Filter does not remove all contaminants that may be present in tap water.

### Organic chemicals included by surrogate testing

VOCs (by surrogate testing using chloroform)	Drinking water regulatory level (MCL/MAC) mg/L	Influent/ Unfiltered	Effluent/ Filtered	Percent Reduction
alachlor	0.002	0.050	0.001	>98%
atrazine	0.003	0.100	0.003	>97%
benzene	0.005	0.081	0.001	>99%
carbofuran	0.04	0.190	0.001	>99%
carbon tetrachloride	0.005	0.078	0.0018	98%
chlorobenzene	0.1	0.077	0.001	>99%
chloropicrin	—	<2 0.015	0.0002	99%
2,4-D	0.07	0.110	0.0017	98%
dibromochloropropane (DBCP)	0.0002	0.052	0.00002	>99%
o-dichlorobenzene	0.6	0.080	0.001	>99%
p-dichlorobenzene	0.075	0.040	0.001	>98%
1,2-dichloroethane	0.005	0.088	0.0048	95%
1,1-dichloroethylene	0.007	0.083	0.001	>99%
cis-1,2-dichloroethylene	0.07	0.170	0.0005	>99%
trans-1,2-dichloroethylene	0.1	0.086	0.001	>99%
1,2-dichloropropane	0.005	0.080	0.001	>99%
cis-1,3-dichloropropylene	—	0.079	0.001	>99%
dinoseb	0.007	0.170	0.0002	99%
endrin	0.002	0.053	0.00059	99%
ethylbenzene	0.7	0.088	0.001	>99%
ethylene dibromide (EDB)	0.00005	0.044	0.00002	>99%
haloacetonitriles (HAN)				
Bromochloroacetonitrile	—	0.022	0.0005	98%
Dibromoacetonitrile	—	0.024	0.0006	98%
Dichloroacetonitrile	—	0.0096	0.0002	98%
Trichloroacetonitrile	—	0.015	0.0003	98%
haloketones (HK)				
1,1-dichloro-2-propanone	—	0.0072	0.0001	99%
1,1,1-trichloro-2-propanone	—	0.0082	0.0003	96%
heptachlor (H-34, Heptox)	0.0004	0.025	0.00001	>99%
heptachlor epoxide	0.0002	0.0107	0.0002	98%
hexachlorobutadiene	—	0.044	0.001	>98%
hexachlorocyclopentadiene	0.05	0.060	0.000002	>99%
lindane	0.0002	0.055	0.00001	>99%
methoxychlor	0.04	0.050	0.0001	>99%
pentachlorophenol	0.001	0.096	0.001	>99%
simazine	0.004	0.120	0.004	>97%
styrene	0.1	0.150	0.0005	>99%
1,1,2,2-tetrachloroethane	—	0.081	0.001	>99%
tetrachloroethylene	0.005	0.081	0.001	>99%
toluene	1	0.078	0.001	>99%
2,4,5-TP (silvex)	0.05	0.270	0.0016	99%
tribromoacetic acid	—	0.042	0.001	>98%
1,2,4-trichlorobenzene	0.07	0.160	0.0005	>99%
1,1,1-trichloroethane	0.2	0.084	0.0046	95%
1,1,2-trichloroethane	0.005	0.150	0.0005	>99%
trichloroethylene	0.005	0.180	0.0010	>99%
Trihalomethanes (THMs)				
Bromodichloromethane (THM)	0.080	0.300	0.015	95%
Bromoform (THM)				
Chloroform (THM)				
Chlorodibromomethane (THM)				
Xylenes (total)	10	0.070	0.001	>99%

Do not use with water that is microbiologically unsafe or of unknown water quality without adequate disinfection before or after the system.



### 1-Year Limited Warranty

#### WHAT IS COVERED:

This Warranty covers defects in materials or workmanship in manufacturing of your AquaSana drinking or shower water filter systems, except as provided below.

#### FOR HOW LONG:

This warranty runs for 365 days from the date of purchase by a consumer ("Warranty Period").

#### WHAT IS NOT COVERED:

This warranty does not cover filter cartridges and any products that were not installed in compliance with the instructions or that have been abused or operated incorrectly. It also does not cover incidental or consequential damages caused by a failure of the product. Finally, this warranty is voided if the product is used with parts that are not genuine AquaSana parts. This includes, but is not limited to: replacement filters, faucets, and diverter valves. This warranty does not cover the RHINO Whole House Filtration System.

#### WHAT AQUASANA, INC. WILL DO:

We will replace the defective part of the covered product and send it to you with installation instructions upon payment of \$9.50 for shipping and handling per incident.

#### HOW TO GET SERVICE:

To receive service under this Warranty, you must contact AquaSana, Inc. at 1-866-662-6885 or [warranty@aquasana.com](mailto:warranty@aquasana.com) within the Warranty Period to describe the problem to a customer service representative who will verify that the product is under warranty and arrange for delivery of a replacement part.

#### HOW STATE LAW APPLIES:

This warranty gives you specific rights and you may have other rights which vary from state to state. Some states do not allow the exclusion or limitation of incidental or consequential damages, so the above limitation or exclusion may not apply to you.

Warranty registration information on back.

**AquaSana, Inc.**  
6310 Midway Road  
Haltom City, TX 76117

**(866) 662-6885**  
[info@aquasana.com](mailto:info@aquasana.com)  
[www.aquasana.com](http://www.aquasana.com)



aquasana  
*Live Healthy*

**Aquasana, Inc.**

6310 Midway Road  
Haltom City, Texas 76117  
866.662.6885 USA  
877.332.7873 Canada  
www.aquasana.com

**For exclusive deals**

 [facebook.com/aquasana](https://facebook.com/aquasana)

 [twitter.com/aquasana](https://twitter.com/aquasana)



System tested and certified by NSF International against NSF/ANSI Standard 42, 53 & 401 and conforms to NSF protocol P473 for reduction of claims specified on the Performance Data Sheet and at [nsf.org](https://www.nsf.org).