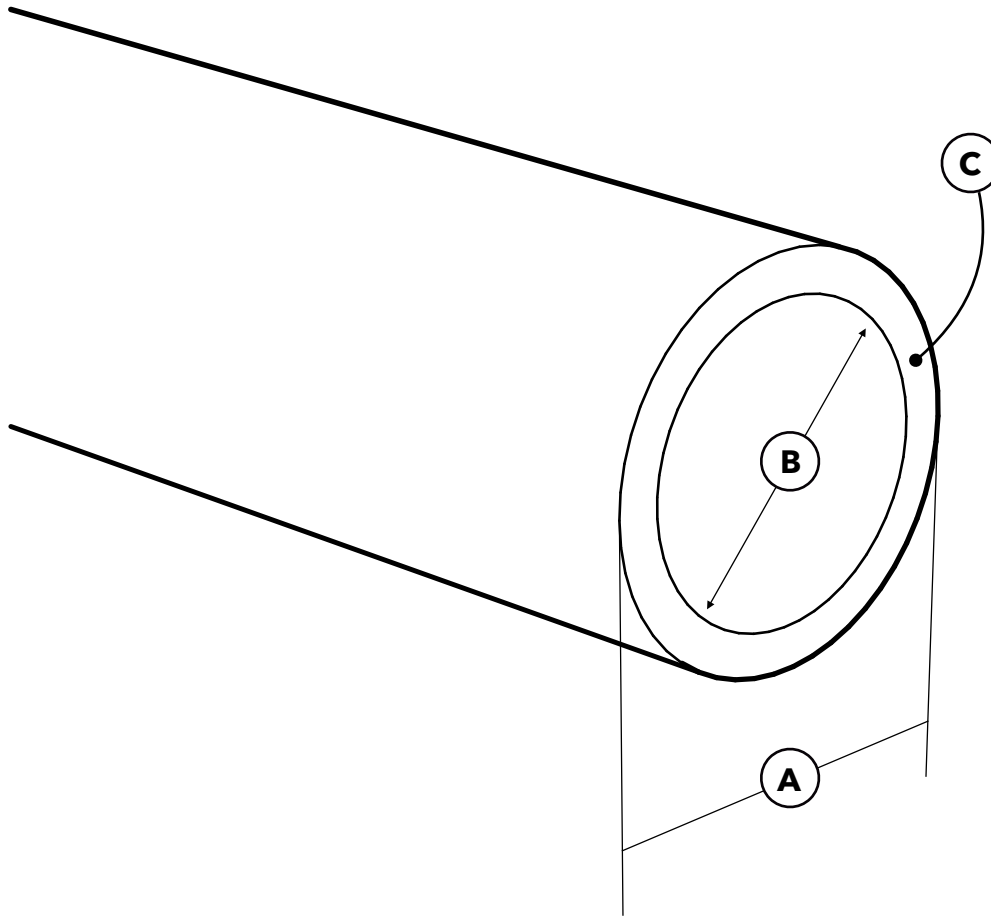


# 1" Schedule 40 PVC Pipe

## SPECIFICATIONS

Product SKU: P001FGP



ID	Description	Dimension
A	Outside Diameter	1.315 in.
B	Avg. Inside Dia.	1.049 in.
C	Min. Wall Thickness	0.133 in.
	Weight	0.400 lb./ft.
	Schedule	40

**NOTICE:** All information within this Technical Specifications document is accurate at the time of document date. Product specifications and/or appearance may change.

