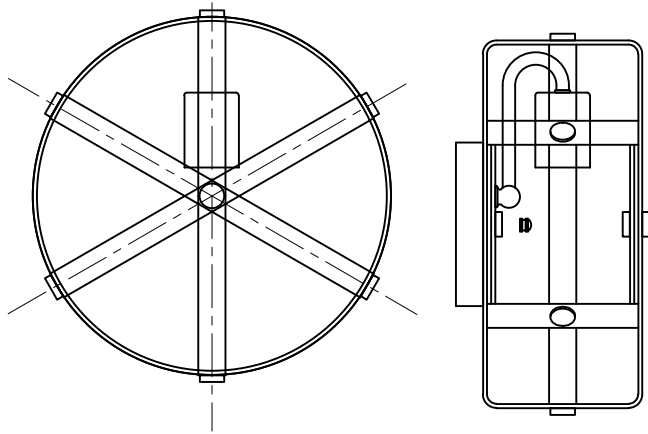



Product Name: Wall lamp
Model :9715W11-1-182
120Vac, 60Hz,AC ONLY
Lamp Size:W11"*H11"*E5"



Trade Mark:
CRYSTAL WORLD INC

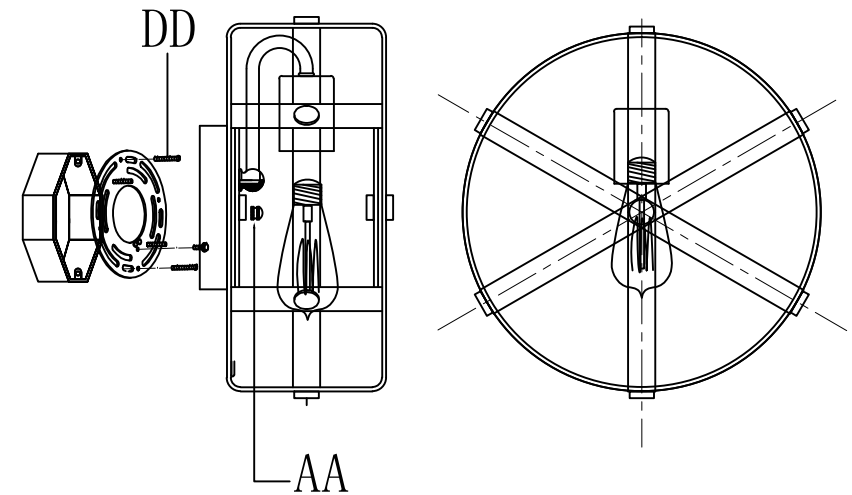


WALL LAMP ASSEMBLY INSTRUCTIONS

Install bulbs (NOT INCLUDED),USE 120V E26  1*60W Max.

Hardware Used

AA Cap nut  X 2
DD Mounting screw  X 4




C ETL US
Intertek
4006677