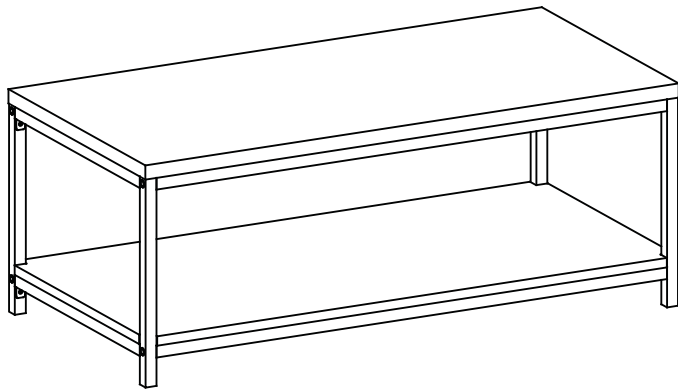
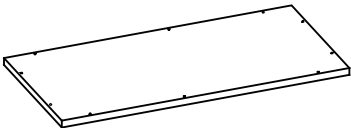
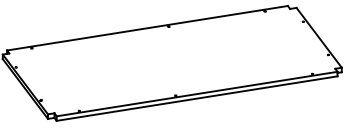
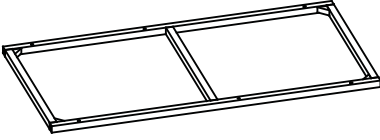
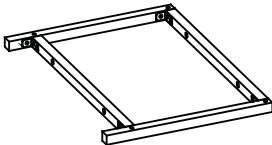


Assembly Instruction

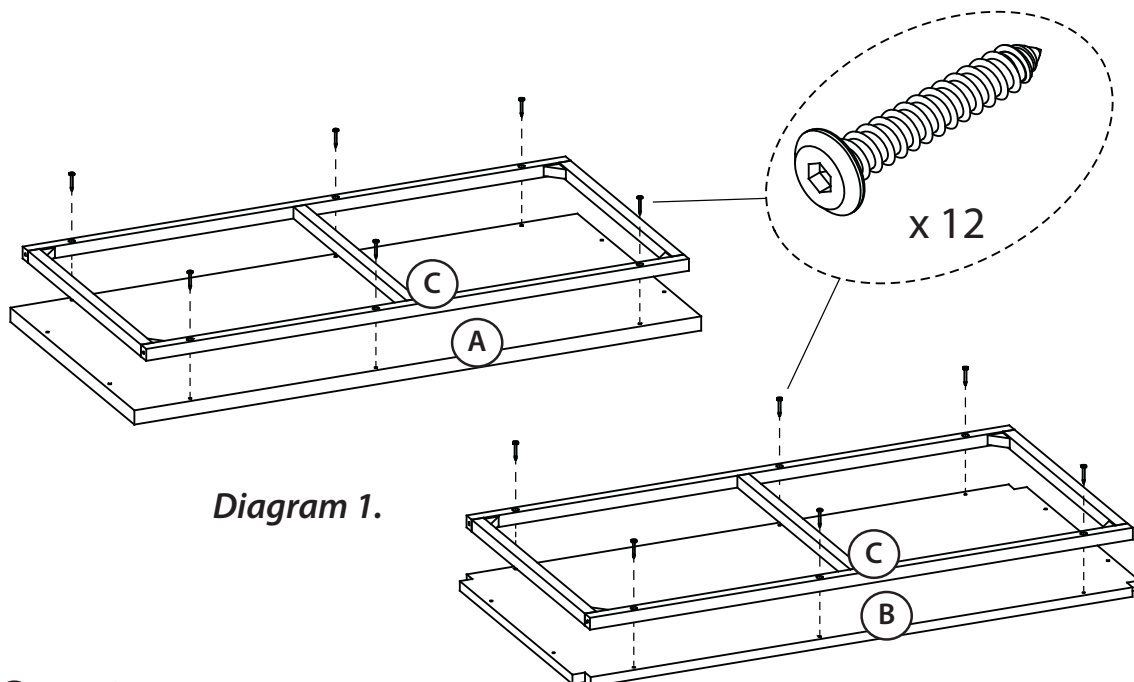
Item # 694-2X Metro Coffee Table
Item # 695-2X American Trail Studio Coffee Table



Parts List

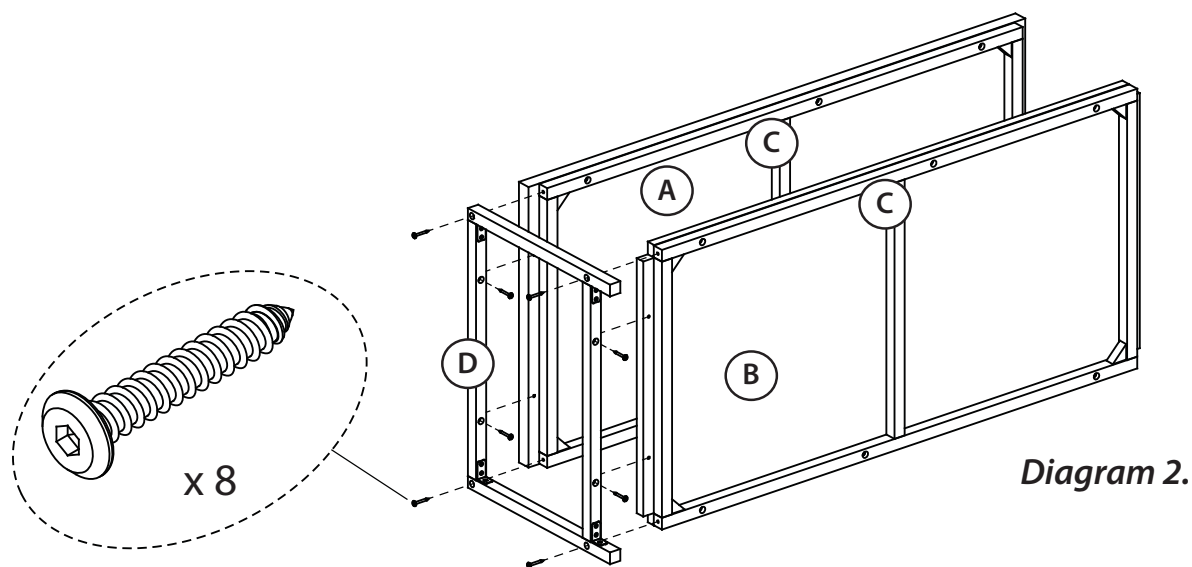
-  Table Top (A)
1 Pc.
-  Bottom Shelf (B)
1 Pc.
-  Frame (C)
2 Pcs.
-  Side Panel (D)
2 Pcs.

Hardware

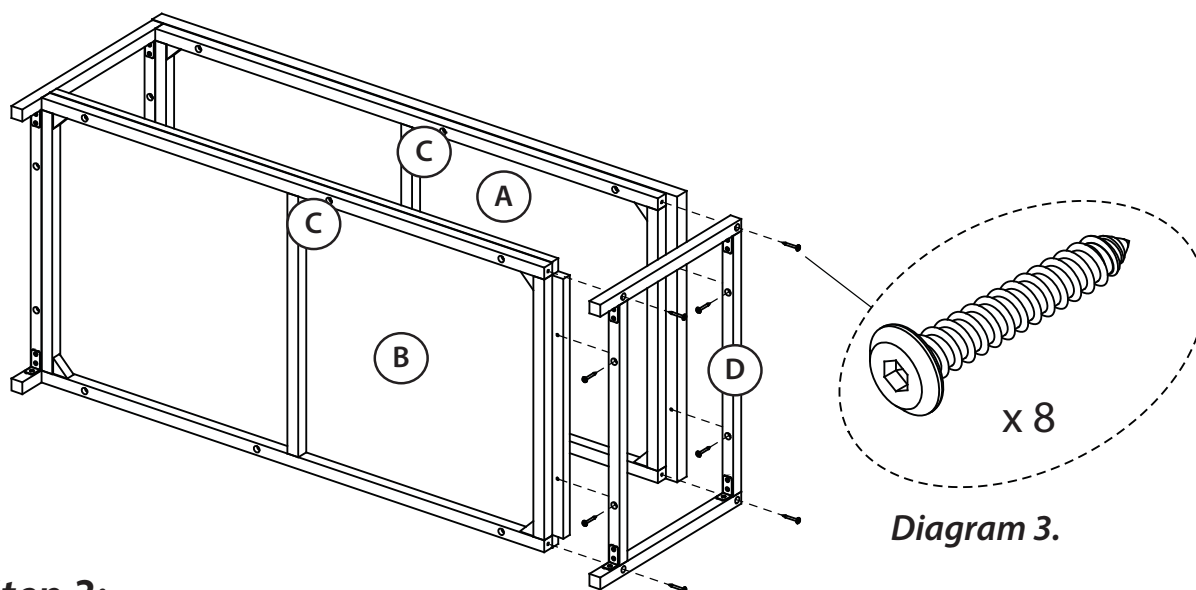


Step 1:

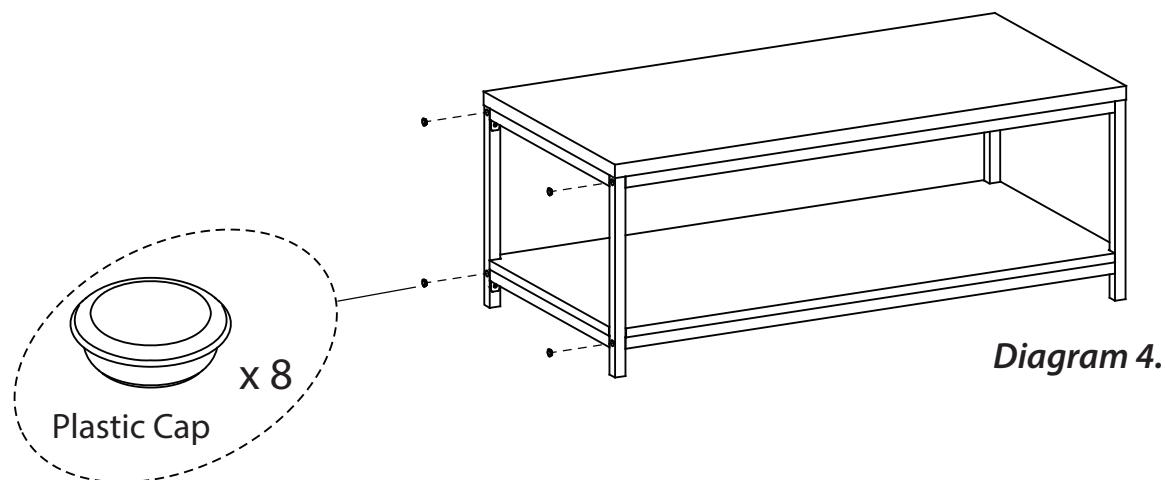
Attach Frame (C) into the Table Top (A) and Bottom Shelf (B) using 8 Screw as per diag.1.

**Step 2:**

Attach one Side Panel (D) into top and bottom frame from diagram 1 using 8 Screw as per diag.2.

**Step 3:**

Attach other Side Panel into the unit using 8 Screw as per diag.3.

**Step 4:**

Stand the unit upright using 8 Plastic Cap to cover the screw holes as per diag.4.